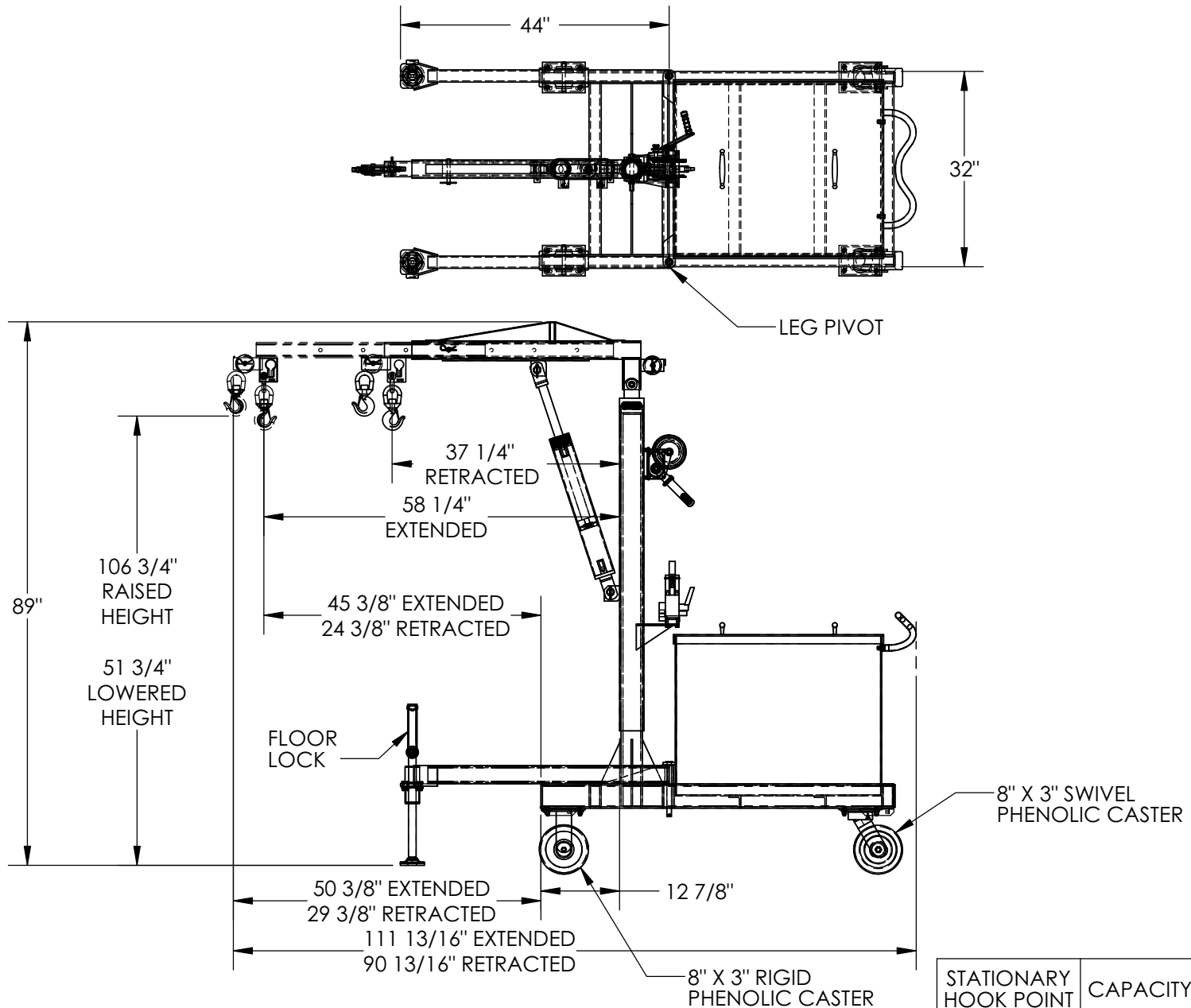


PORTABLE CANTILEVER HOIST - P-JIB-4

APPROX WEIGHT: 880.39 lbs.
DOES NOT INCLUDE WEIGHT OF POWER OR PACKAGING!!!

ANY ADDITIONS, DELETIONS, OR OMISSIONS MUST BE CORRECTED ON THIS DRAWING AS THIS DRAWING WILL BE CONSIDERED ALL INCLUSIVE



STATIONARY HOOK POINT	CAPACITY (LBS.)
24 3/8"	4,000
31 3/8"	3,200
38 3/8"	2,600
45 3/8"	2,200

ALL GRAPHICS PROVIDED ARE FOR REFERENCE ONLY. IF CERTAIN DIMENSIONS ARE CRITICAL PLEASE VERIFY THOSE DIMENSIONS WITH YOUR SALESPERSON

STANDARD FEATURES

MODEL NUMBER IS P-JIB-4
CAPACITY IS: SEE CHART
WINCH HOOK CAPACITY IS: 800 LBS.
OVERALL WIDTH IS: 32"
OVERALL LENGTH (EXTENDED) IS: 111 13/16"
OVERALL LENGTH (RETRACTED) IS: 90 13/16"
OVERALL HEIGHT IS: 89"
CASTERS: TWO RIGID 8" x 3" PHENOLIC
TWO SWIVEL 8" x 3" PHENOLIC
SWIVEL CRANE FOR SIDE LOADING
TWO OUTRIGGERS TO INCREASE STABILITY
LEVELING JACKS TO STABILIZE UNIT TO FRONT OR SIDE

SPECIAL FEATURES

NONE

A P P R O V A L

I, THE UNDERSIGNED, AGREE THAT THE PRODUCT AS REPRESENTED SATISFIES DESIGN AND DIMENSION REQUIREMENTS. I ALSO ACKNOWLEDGE MY DUTY TO CONFIRM PRODUCT AND INSTALLATION COMPLIANCE WITH ALL APPLICABLE FEDERAL, STATE AND LOCAL REGULATIONS AND STANDARDS.
ALL SPECIAL UNITS ARE NON-RETURNABLE
[] As drawn [] As marked

Signed: _____ Date: _____

LEAD TIME WILL START UPON RECEIPT OF SIGNED APPROVAL DRAWING

DISTRIBUTOR'S NAME: HOF Equipment Company Ph: 888-990-1150		P.O.# X
DRAWN BY: T. MOORE		W.O.# X
DATE: 02/04/10	SALES: X	FILE NAME:
REFERENCE: X	SCALE: 1:25	28-007-269
QUOTED LEAD TIME: X	QUOTE # X	