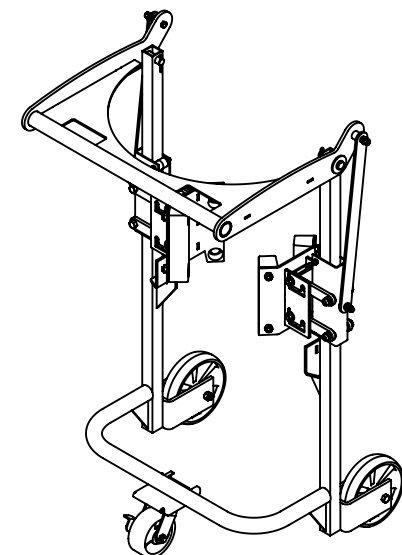
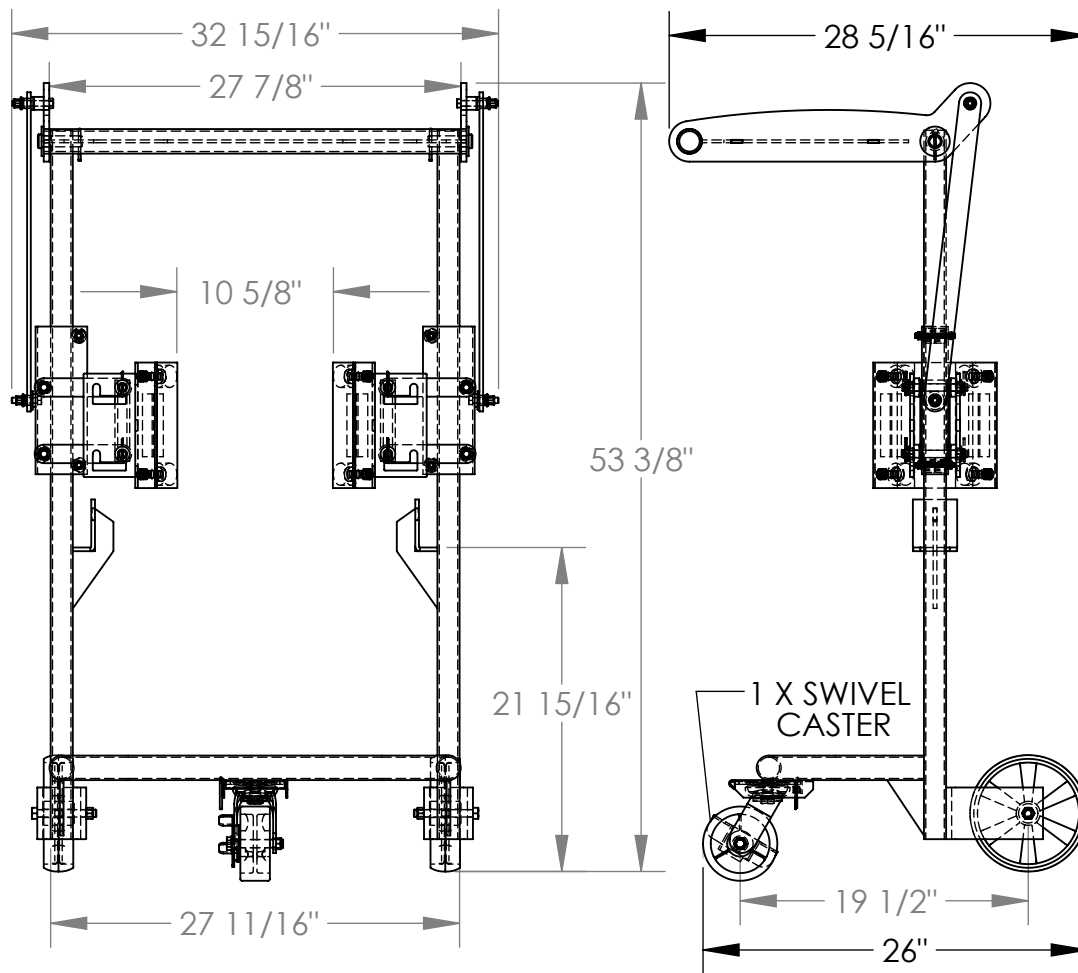


PORTABLE CYLINDER CLUTCHER - OCC-2

APPROX WEIGHT: 121.64 lbs.
DOES NOT INCLUDE WEIGHT OF POWER OR PACKAGING!!!

*** ANY ADDITIONS, DELETIONS, OR OMISSIONS MUST BE CORRECTED ON THIS DRAWING AS THIS DRAWING WILL BE CONSIDERED ALL INCLUSIVE ***
ALL GRAPHICS PROVIDED ARE FOR REFERENCE ONLY. IF CERTAIN DIMENSIONS ARE CRITICAL PLEASE VERIFY THOSE DIMENSIONS WITH YOUR SALESPERSON



3D VIEW SHOWN FOR REFERENCE ONLY

DIMENSION TOLERANCE ± 1/4"

STANDARD FEATURES

- MODEL NUMBER IS OCC-2
- CAPACITY IS 200 LBS.
- OVERALL WIDTH IS 32 15/16"
- OVERALL LENGTH IS 28 5/16"
- LIFTS CYLINDERS WITH DIAMETERS BETWEEN 8 1/2" - 12 1/2"
- OVERALL HEIGHT IS 53 3/8"
- 2 (8" X 2") RIGID CASTERS
- 1 (5" X 2") SWIVEL CASTERS
- ALL STEEL CONSTRUCTION
- PAINTED SAFETY YELLOW

SPECIAL FEATURES

NONE

A P P R O V A L

I, THE UNDERSIGNED, AGREE THAT THE PRODUCT AS REPRESENTED SATISFIES DESIGN AND DIMENSION REQUIREMENTS. I ALSO ACKNOWLEDGE MY DUTY TO CONFIRM PRODUCT AND INSTALLATION COMPLIANCE WITH ALL APPLICABLE FEDERAL, STATE AND LOCAL REGULATIONS AND STANDARDS.

ALL SPECIAL UNITS ARE NON-RETURNABLE

[] As drawn [] As marked

Signed: _____ Date: _____

LEAD TIME WILL START UPON RECEIPT OF SIGNED APPROVAL DRAWING

FOR INTERNAL USE ONLY PROJECT SIGN OFF	
SALES	
ENG.	
FAB.	
POWER	

DISTRIBUTOR'S NAME:		HOF EQUIPMENT COMPANY		P.O.#	X	
		PH: 888-990-1150		W.O.#	X	
DRAWN BY:		ND	DATE:	5/15/07	SALES:	X
REFERENCE:		X	SCALE:	1:13	FILE NAME:	
QUOTED LEAD TIME:		X	QUOTE #	X	16-007-138	