

Guard Enclosure Kits with Safety Interlock (Sold Separately)

Comply with OSHA Requirements with a Morse Guard Enclosure Kit (Sold Separately)

Guard Enclosures for Morse Stationary Drum Rollers have a safety interlock to automatically shut off the drum roller when the gate is opened. Open the enclosure gate, place your drum onto the drum roller, then close the gate to allow operation. Connections are included for air powered model only. Control Package options provide controls and connections for AC models.

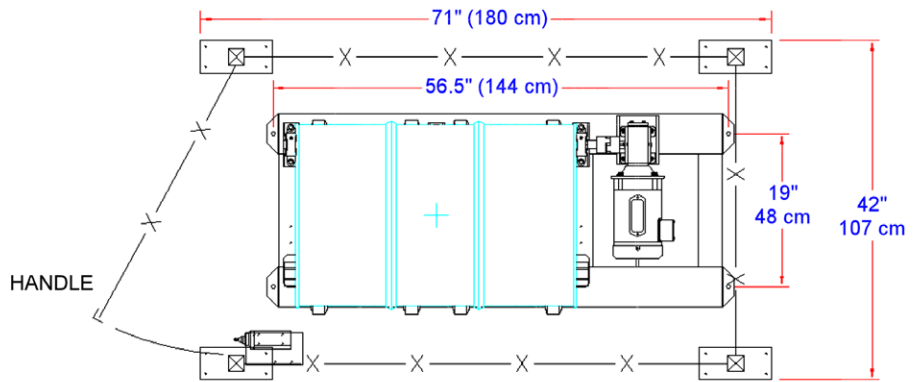
Install all Morse Rotators in accordance with local requirements for enclosure and safety interlock, etc. One way to accomplish this is with a Morse enclosure with safety interlock, so the rotator automatically turns off when enclosure

door is opened. Power connections and motor controls must also comply with applicable local codes.

For OSHA compliance in the USA, see OSHA subpart O.1910.212(a)(4) "Barrels, containers, and drums. Revolving drums, barrels, and containers shall be guarded by an enclosure which is interlocked with the drive mechanism, so that the barrel, drum, or container cannot revolve unless the guard enclosure is in place."

All Morse Control Packages (see page 3) include a low-voltage transformer and wire terminals required to connect the external safety interlock switch of these Guard Enclosure Kits. Morse Control Packages and Enclosures meet OSHA regulations ONLY when installed properly with safety interlock.

Guard Enclosure Kit #	Description	Gate Switch
GEK-1-5154-1	Fits Single Stationary Drum Roller with 1-phase electric motor	AC
GEK-1-5154-3	Fits Single Stationary Drum Roller with 3-phase electric motor	AC
GEK-1-5154-E1	Fits Single Stationary Drum Roller with Explosion-proof 1-phase electric motor	AC
GEK-1-5154-E3	Fits Single Stationary Drum Roller with Explosion-proof 3-phase electric motor	AC
GEK-1-5154-A	Fits Single Stationary Drum Roller with Air motor	Air



Outside post-to-post Dimensions

L64" x W40" x H63.25" (163 x 102 x 161 cm)

