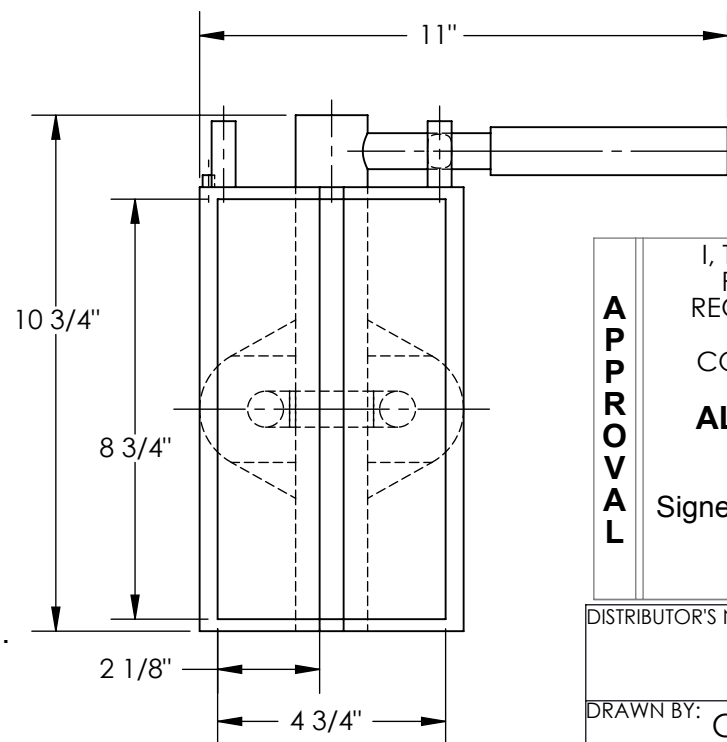
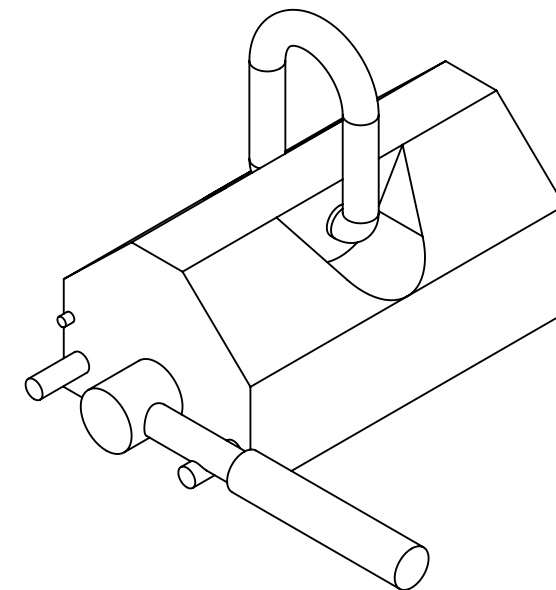
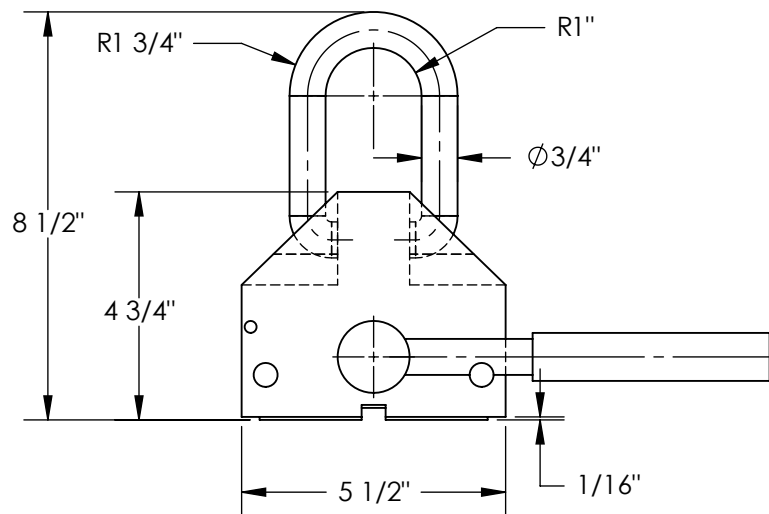


MAGNETIC LIFTER - ML-12

APPROX WEIGHT: 53 lbs.
 DOES NOT INCLUDE WEIGHT OF POWER OR PACKAGING!!!

*** ANY ADDITIONS, DELETIONS, OR OMISSIONS MUST BE CORRECTED ON THIS DRAWING AS THIS DRAWING WILL BE CONSIDERED ALL INCLUSIVE ***

ALL GRAPHICS PROVIDED ARE FOR REFERENCE ONLY. IF CERTAIN DIMENSIONS ARE CRITICAL PLEASE VERIFY THOSE DIMENSIONS WITH YOUR SALESPERSON
 WEIGHT IS EDITED FOR ACCURACY.



**ALL SPECIAL UNITS
 ARE NON-RETURNABLE**

STANDARD FEATURES

MODEL NUMBER IS: ML-12
 OVERALL WIDTH IS: 11"
 OVERALL LENGTH IS: 10 3/4"
 OVERALL HEIGHT IS: 8 1/2"
 UNIFORM FLAT CAPACITY IS: 1200 LBS.
 UNIFORM ROUND CAPACITY IS: 400 LBS.
 COLOR: YELLOW

SPECIAL FEATURES

NONE

A P P R O V A L

I, THE UNDERSIGNED, AGREE THAT THE PRODUCT AS REPRESENTED SATISFIES DESIGN AND DIMENSION REQUIREMENTS. I ALSO ACKNOWLEDGE MY DUTY TO CONFIRM PRODUCT AND INSTALLATION COMPLIANCE WITH ALL APPLICABLE FEDERAL, STATE AND LOCAL REGULATIONS AND STANDARDS.

ALL SPECIAL UNITS ARE NON-RETURNABLE
 As drawn As marked

Signed: _____ Date: _____

LEAD TIME WILL START UPON RECEIPT OF SIGNED APPROVAL DRAWING

DISTRIBUTOR'S NAME: HOF EQUIPMENT COMPANY		P.O.# X
PH: 888-990-1150		W.O.# X
DRAWN BY: CRM	DATE: 07/13/2010	SALES: X
REFERENCE: X	SCALE: 1:4	FILE NAME: 49-007-016
QUOTED LEAD TIME: X	QUOTE # X	