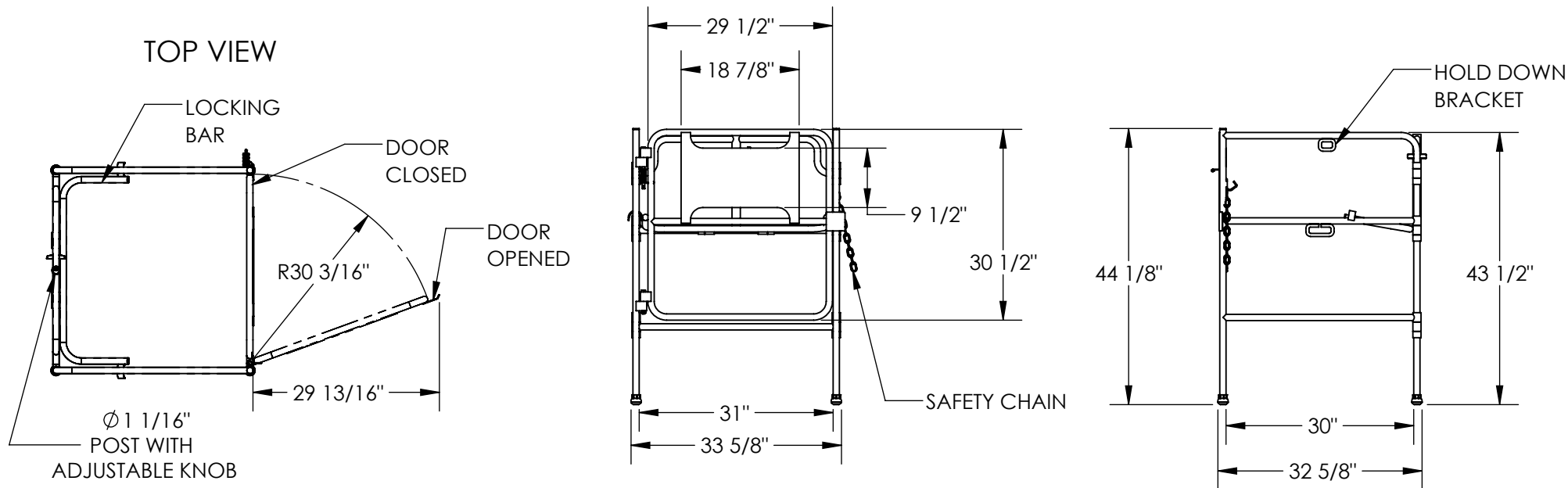


# MANHOLE GUARD RAIL - MHGR-32

DOES NOT INCLUDE WEIGHT OF POWER OR PACKAGING!!!

\*\*\* ANY ADDITIONS, DELETIONS, OR OMISSIONS MUST BE CORRECTED ON THIS DRAWING AS THIS DRAWING WILL BE CONSIDERED ALL INCLUSIVE \*\*\*

ALL GRAPHICS PROVIDED ARE FOR REFERENCE ONLY. IF CERTAIN DIMENSIONS ARE CRITICAL PLEASE VERIFY THOSE DIMENSIONS WITH YOUR SALESPERSON



## STANDARD FEATURES

- MODEL NUMBER IS MHGR-32
- OVERALL WIDTH IS 33 5/8"
- USABLE WIDTH IS 31"
- OVERALL LENGTH IS 32 5/8"
- USABLE LENGTH IS 30"
- OVERALL HEIGHT IS 44 1/8"
- LOCK BAR
- 1 1/16" POST W/ ADJUSTABLE KNOB
- SAFETY CHAIN (TO KEEP DOOR CLOSED)
- HOLD DOWN BRACKETS ON LEFT AND RIGHT SIDE
- TOUGH BAKED IN POWDER COATED YELLOW FINISH
- COLLAPSING DESIGN

## SPECIAL FEATURES

NONE

DIMENSION TOLERANCE ± 1/2"

APPROVAL	I, THE UNDERSIGNED, AGREE THAT THE PRODUCT AS REPRESENTED SATISFIES DESIGN AND DIMENSION REQUIREMENTS. I ALSO ACKNOWLEDGE MY DUTY TO CONFIRM PRODUCT AND INSTALLATION COMPLIANCE WITH ALL APPLICABLE FEDERAL, STATE AND LOCAL REGULATIONS AND STANDARDS.	
	<b>ANY MODIFIED UNITS ARE NON-RETURNABLE</b>	
	[ ] As drawn      [ ] As marked	
	Signed: _____	Date: _____
	Printed Name: _____	
<i>LEAD TIME WILL START UPON RECEIPT OF SIGNED APPROVAL DRAWING</i>		

FOR INTERNAL USE ONLY PROJECT SIGN OFF	
SALES	
ENG.	
FAB.	
POWER	

DISTRIBUTOR'S NAME:		P.O.#
<b>HOF EQUIPMENT COMPANY</b>		X
<b>PH: 888-990-1150</b>		W.O.#
		X
DRAWN BY:	T.CLEMENS	DATE:
		7/7/2017
REFERENCE:	X	SCALE:
		1:24
QUOTED LEAD TIME:	X	QUOTE #
		N/A
		FILE NAME:
		29-007-321