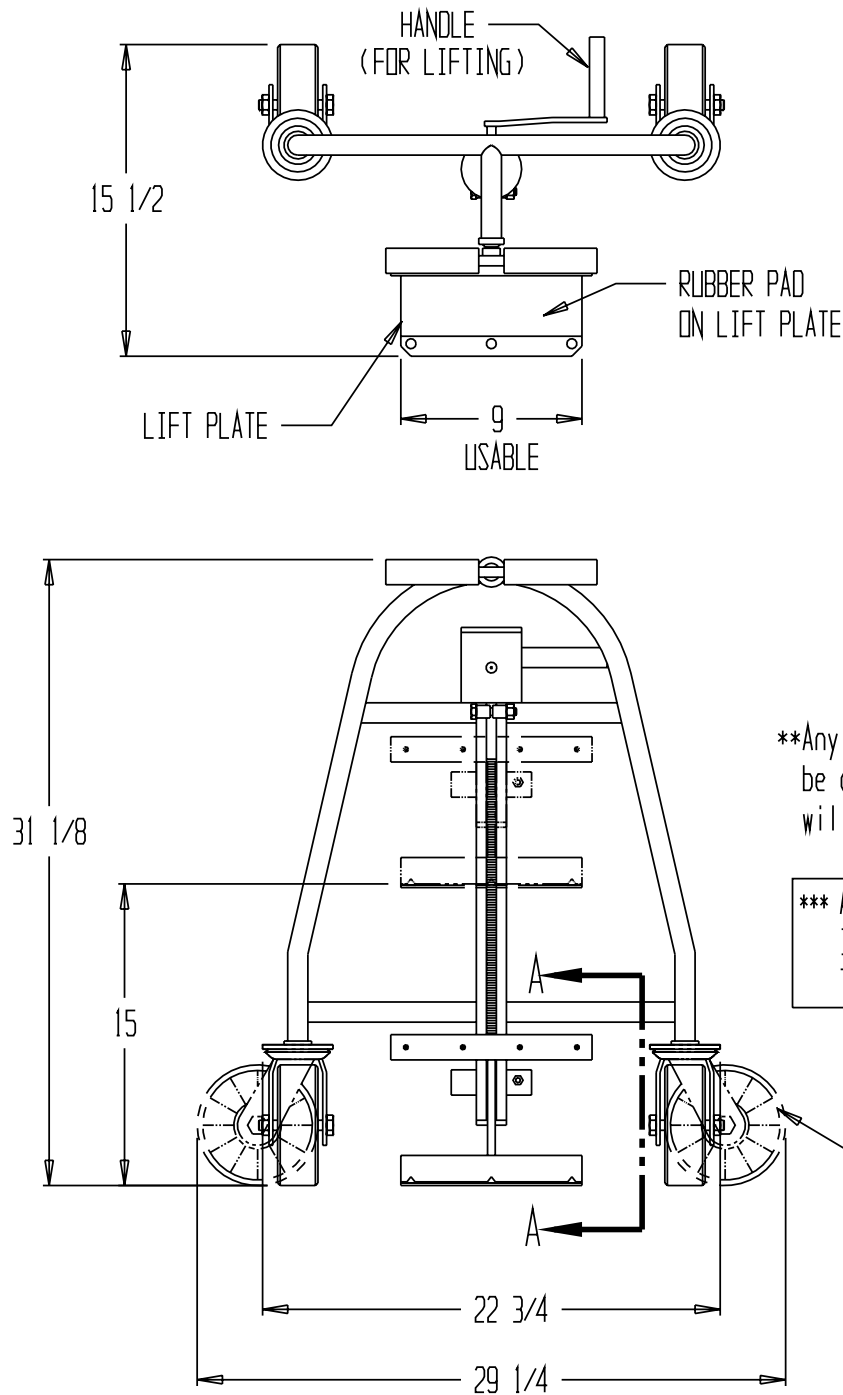
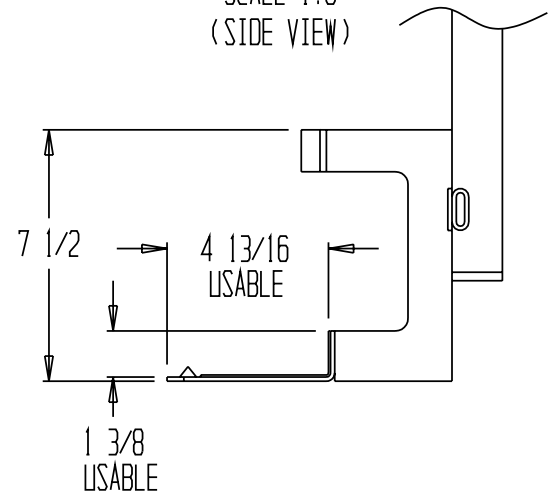


# FURNITURE & CRATE MOVER, MFM-1300

\*\*SPECIAL UNITS ARE NON-RETURNABLE  
\*AVAILABLE AT ADDITIONAL COSTS



LIFT PLATE DETAIL A-A  
SCALE 1:6  
(SIDE VIEW)



\*\*Any additions, deletions or omissions must be corrected on this drawing, as this drawing will be considered all inclusive.\*\*

\*\*\* ALL GRAPHICS PROVIDED ARE FOR REFERENCE ONLY. IF CERTAIN DIMENSIONS ARE CRITICAL PLEASE VERIFY THOSE DIMENSIONS WITH YOUR SALESPERSON. \*\*\*

6" POLY-ON-STEEL SWIVEL CASTERS

LEAD TIME WILL START UPON RECEIPT OF SIGNED APPROVAL DRAWING

## STANDARD FEATURES

- MODEL NUMBER: MFM-1300
- CAPACITY: 1,300 LBS. PER PAIR
- OVERALL WIDTH: 29 1/4"
- OVERALL DEPTH: 15 1/2"
- OVERALL HEIGHT: 31 1/8"
- USABLE LIFT PLATE: 9" W x 4 13/16" LG. X 1 3/8" H
- LIFTING HEIGHT: 15" MAX.
- LIFTING STYLE: MECHANICAL
- 1" NYLON STRAP INCLUDED (NOT SHOWN)

## SPECIAL FEATURES

NONE

## APPROVAL

I, the undersigned, hereby approve this print  
 As drawn     As marked  
 This includes my approval of design & dimensions.  
 Signed: \_\_\_\_\_  
 Date: \_\_\_\_\_

DISTRIBUTOR'S NAME: HOF EQUIPMENT COMPANY PH: 888-990-1150		P.O.#: -
DRAWN BY: SR		W.O.#: -
DATE: 4-10-06		SALES: -
REFERENCE: -		DRWG./FILE NAME: MFM-1300
SCALE: 1:10		