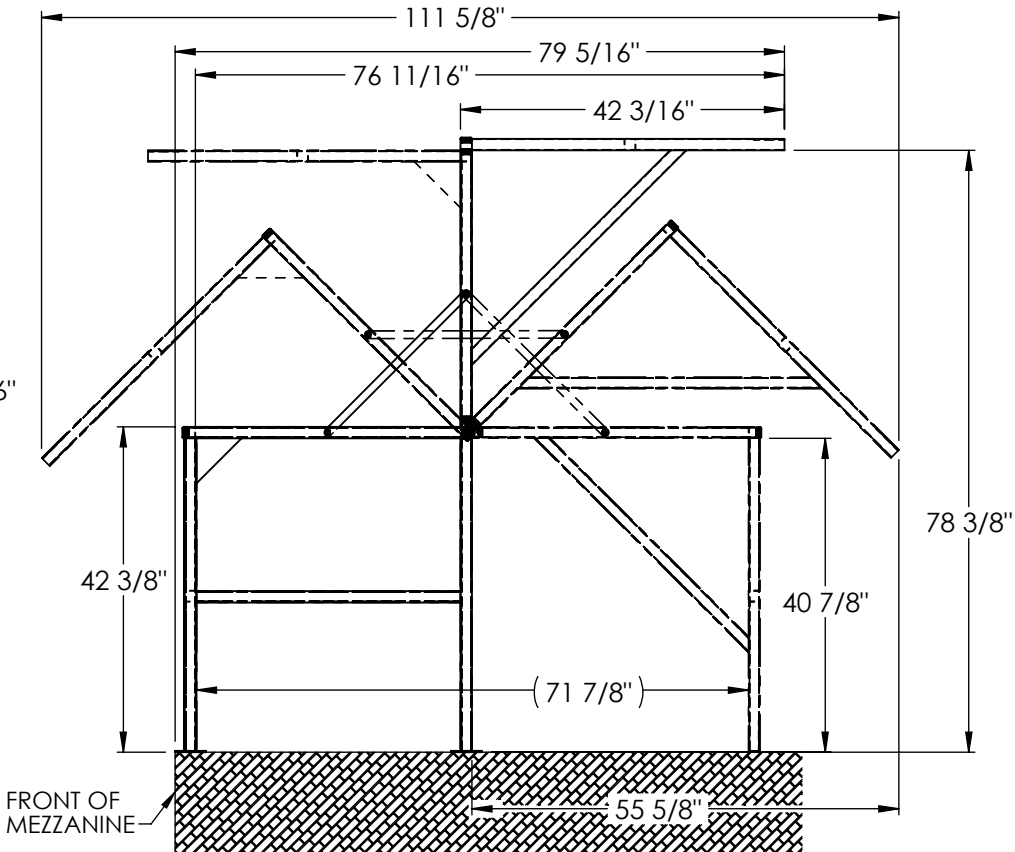
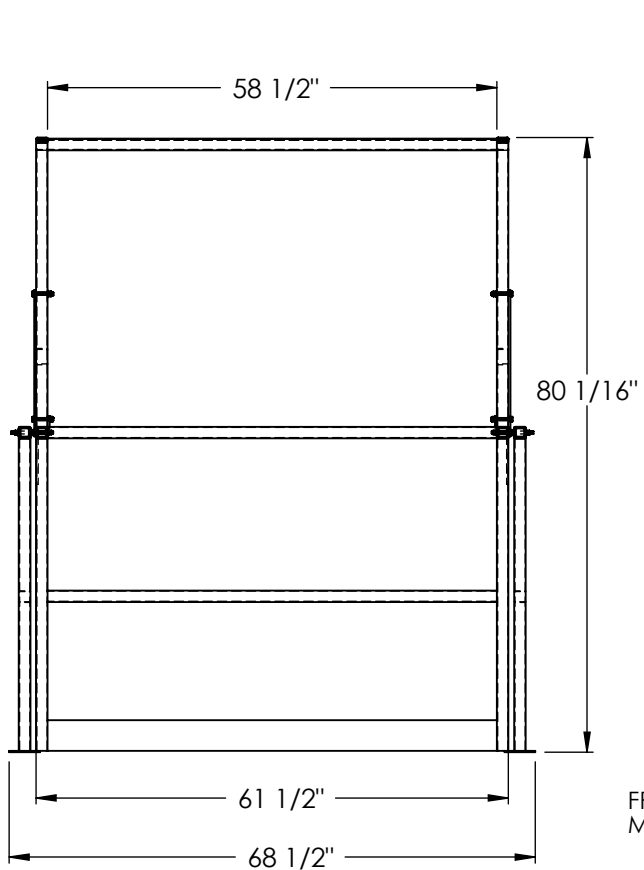


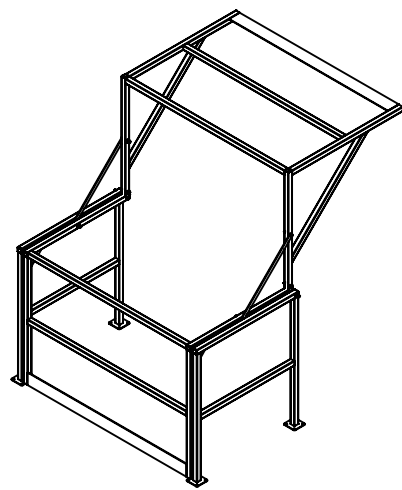
MEZZANINE SAFETY GATE, MEZZ-200-SS

APPROX WEIGHT: 160.61 lbs.
DOES NOT INCLUDE WEIGHT OF POWER OR PACKAGING!!!

*** ANY ADDITIONS, DELETIONS, OR OMISSIONS MUST BE CORRECTED ON THIS DRAWING AS THIS DRAWING WILL BE CONSIDERED ALL INCLUSIVE ***
ALL GRAPHICS PROVIDED ARE FOR REFERENCE ONLY. IF CERTAIN DIMENSIONS ARE CRITICAL PLEASE VERIFY THOSE DIMENSIONS WITH YOUR SALESPERSON



3D VIEW
SCALE 1:50



**NOTE: USABLE LOAD SIZE IS DEPENDENT UPON BOTH THE LOAD HEIGHT AND LOAD DEPTH, ALONG WITH THE PLACEMENT OF THE LOAD WITHIN THIS GATE; TALLER LOADS WILL HAVE TO BE SHORTER IN DEPTH, & DEEPER LOADS WILL HAVE TO BE SHORTER IN HEIGHT, IN ORDER FOR THE GATES TO CLEAR THE LOAD; WITH A TALLER & DEEPER LOAD, LOAD PLACEMENT WILL BE MORE CRITICAL, AS WELL AS LIMITED*

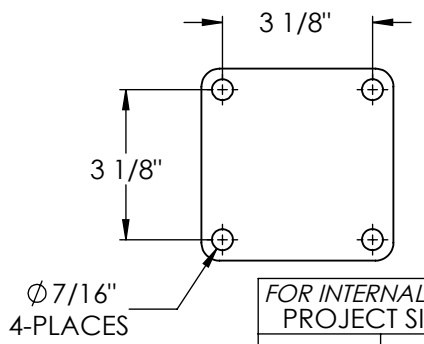
STANDARD FEATURES

- MODEL NUMBER: MEZZ-200-SS
- OVERALL WIDTH: 68 1/2"
- INSIDE WIDTH: 58 1/2"
- USABLE WIDTH: 56"
- OVERALL HEIGHT: 80 1/16"
- INSIDE HEIGHT: 78 3/8"
- OVERALL DEPTH: 79 5/16"
- INSIDE DEPTH: 76 11/16"
- HANDRAIL HEIGHT: 42 3/8"
- *USABLE ENVELOPE (SEE NOTE)
- STAINLESS STEEL CONSTRUCTION WITH UNPOLISHED (MILL) FINISH
- INCLUDES STAINLESS STEEL HARDWARE
- **ANCHORING HARDWARE NOT INCLUDED**

SPECIAL FEATURES

NONE

MOUNTING BRACKET DETAIL
SCALE 1:4



FOR INTERNAL USE ONLY PROJECT SIGN OFF	
SALES	
ENG.	
FAB.	
POWER	

I, THE UNDERSIGNED, AGREE THAT THE PRODUCT AS REPRESENTED SATISFIES DESIGN AND DIMENSION REQUIREMENTS. I ALSO ACKNOWLEDGE MY DUTY TO CONFIRM PRODUCT AND INSTALLATION COMPLIANCE WITH ALL APPLICABLE FEDERAL, STATE AND LOCAL REGULATIONS AND STANDARDS.

ANY MODIFIED UNITS ARE NON-RETURNABLE

As drawn As marked

Signed: _____ Date: _____

Printed Name: _____

LEAD TIME WILL START UPON RECEIPT OF SIGNED APPROVAL DRAWING

DISTRIBUTOR'S NAME:		HOF EQUIPMENT COMPANY		P.O.#	X
		PH: 888-990-1150		W.O.#	X
DRAWN BY:	TJM	DATE:	01/30/17	SALES:	X
REFERENCE:	X	SCALE:	1:25	FILE NAME:	
QUOTED LEAD TIME:	X	QUOTE #	X		23-007-655