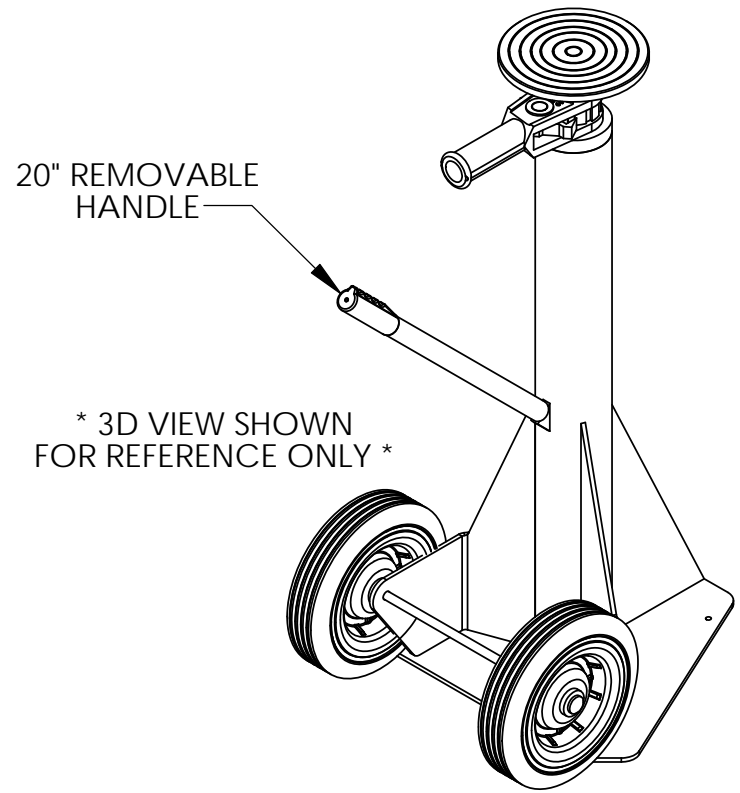
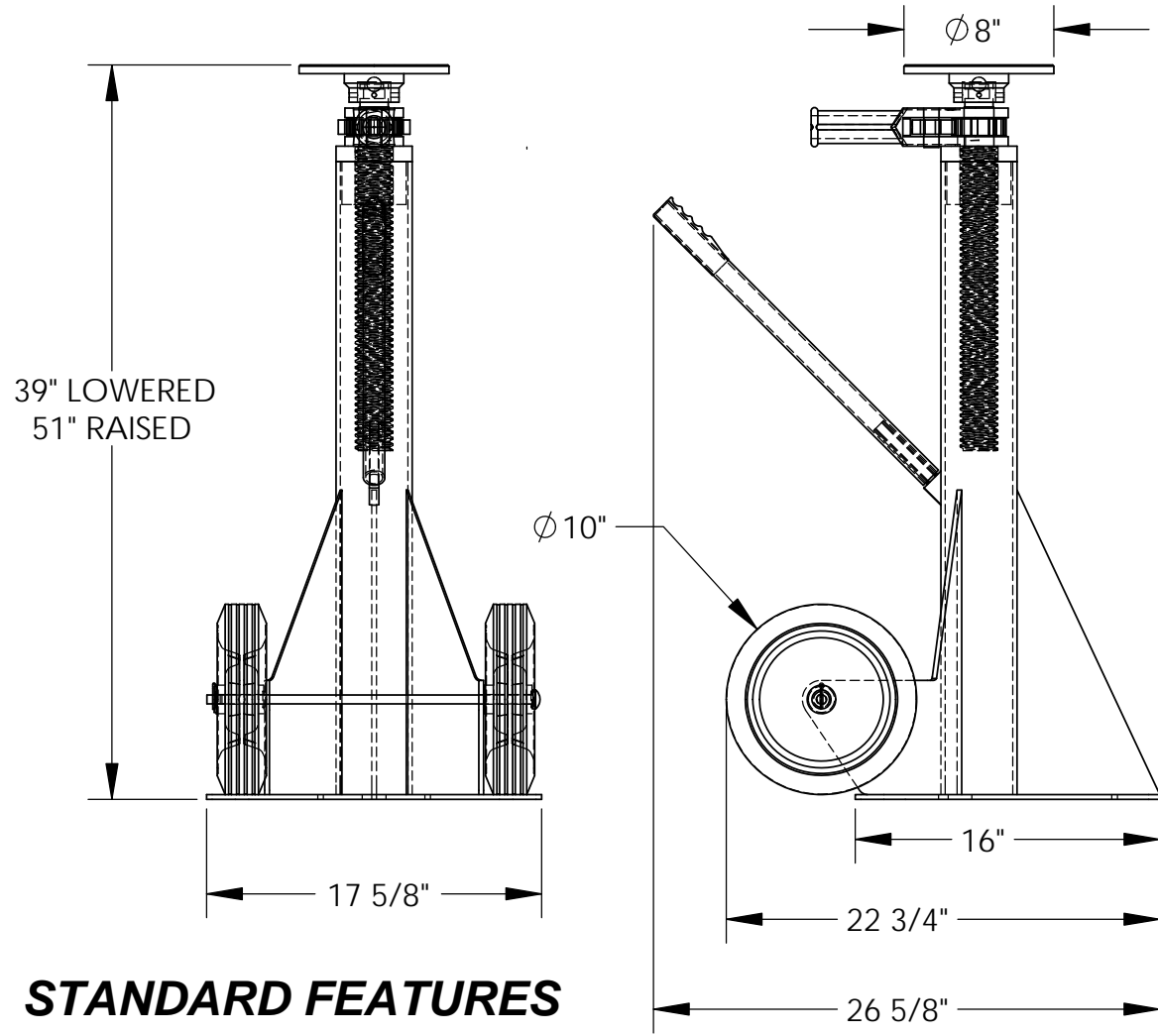


RATCHET TRAILER STABILIZING JACK - LO-J

APPROX WEIGHT: 104.64 lbs.
DOES NOT INCLUDE WEIGHT OF POWER OR PACKAGING!!!

*** ANY ADDITIONS, DELETIONS, OR OMISSIONS MUST BE CORRECTED ON THIS DRAWING AS THIS DRAWING WILL BE CONSIDERED ALL INCLUSIVE ***

ALL GRAPHICS PROVIDED ARE FOR REFERENCE ONLY. IF CERTAIN DIMENSIONS ARE CRITICAL PLEASE VERIFY THOSE DIMENSIONS WITH YOUR SALESPERSON



* 3D VIEW SHOWN FOR REFERENCE ONLY *

STANDARD FEATURES

- MODEL NUMBER: LO-J
- OVERALL WIDTH: 17 5/8"
- OVERALL LENGTH: 26 5/8"
- SERVICE RANGE: 39" TO 51"
- STATIC CAPACITY: 100,000 LBS.
- LIFTING CAPACITY: 40,000 LBS.
- TOP CAP: 8" DIAMETER
- WHEEL SIZE IS Ø10"
- HANDLE LENGTH IS 20"

SPECIAL FEATURES

NONE

DIMENSION TOLERANCE ± 1/4"

I, THE UNDERSIGNED, AGREE THAT THE PRODUCT AS REPRESENTED SATISFIES DESIGN AND DIMENSION REQUIREMENTS. I ALSO ACKNOWLEDGE MY DUTY TO CONFIRM PRODUCT AND INSTALLATION COMPLIANCE WITH ALL APPLICABLE FEDERAL, STATE AND LOCAL REGULATIONS AND STANDARDS.

ANY MODIFIED UNITS ARE NON-RETURNABLE

As drawn As marked

Signed: _____ Date: _____

Printed Name: _____

LEAD TIME WILL START UPON RECEIPT OF SIGNED APPROVAL DRAWING

APPROVAL

| | |
|---|--|
| FOR INTERNAL USE ONLY PROJECT SIGN OFF | |
| SALES | |
| ENG. | |
| FAB. | |
| POWER | |

| | | |
|--|--------------------|------------|
| DISTRIBUTOR'S NAME: HOF EQUIPMENT COMPANY | | P.O.# X |
| PH: 888-990-1150 | | W.O.# X |
| DRAWN BY: BCN | DATE: 12/1/2016 | SALES: |
| REFERENCE: X | SCALE: 1:10 | FILE NAME: |
| QUOTED LEAD TIME: X | QUOTE # X | 13-007-005 |

| MAXIMUM WORKING CAPACITY AT GRADE (%) | | | | | | | | |
|---------------------------------------|--------|--------|--------|--------|--------|--------|--------|--------|
| 0.00% | 0.50% | 1.00% | 1.50% | 2.00% | 2.50% | 3.00% | 3.50% | 4.00% |
| 100,000 | 80,000 | 66,000 | 55,000 | 46,000 | 41,000 | 37,000 | 33,000 | 29,000 |