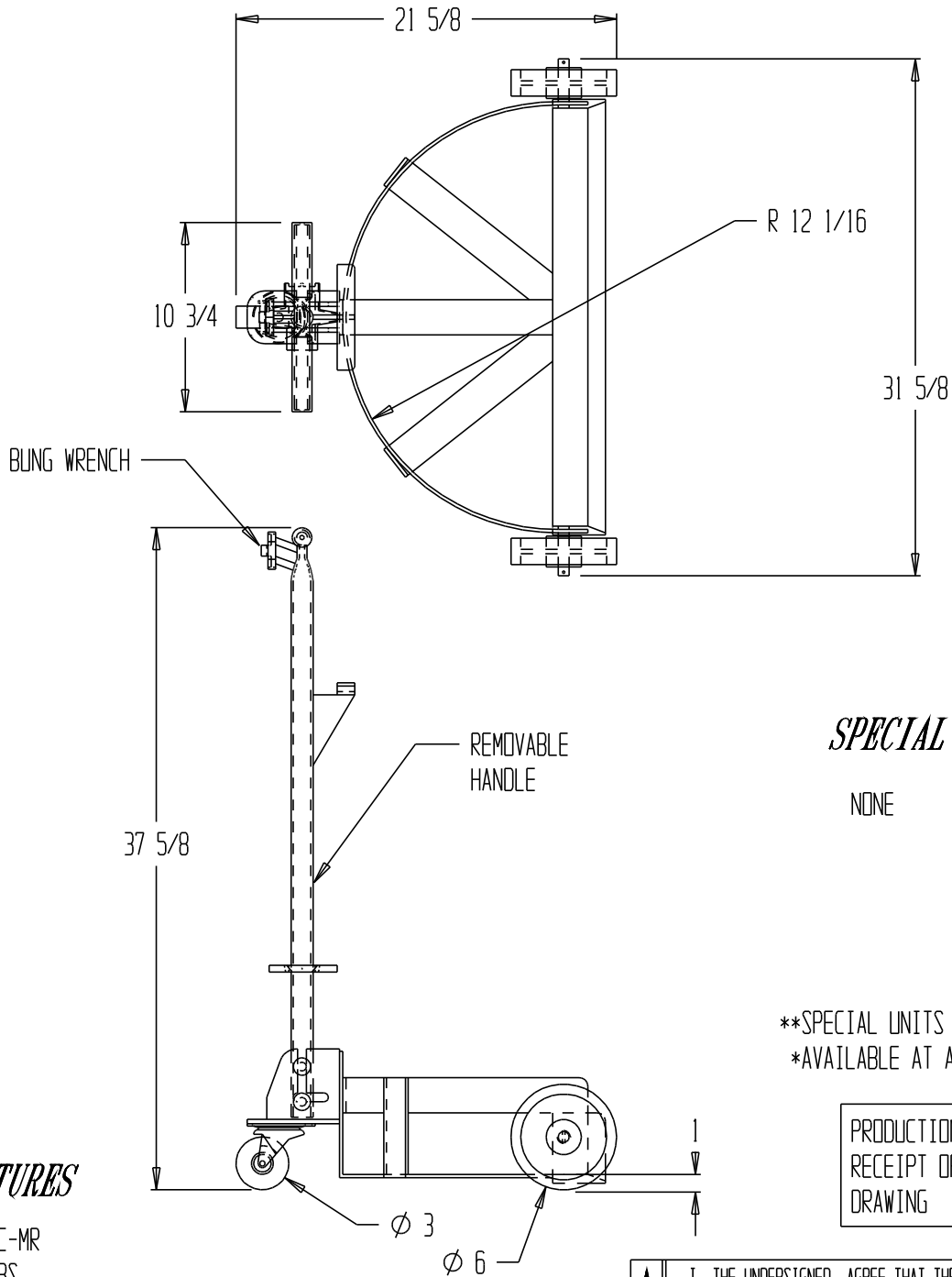


# LOW PROFILE DRUM DOLLY, LO-DC-MR



## STANDARD FEATURES

MODEL NUMBER: LO-DC-MR  
 CAPACITY: 1,000 LBS  
 CASTERS: (2) - FRONT,  $\phi$  6" - MOLD-ON-RUBBER WHEELS  
           (1) - BACK,  $\phi$  3" - SWIVEL  
 OVERALL LENGTH: 21 5/8 INCHES  
 OVERALL WIDTH: 31 5/8 INCHES  
 OVERALL HEIGHT: 37 5/8 INCHES  
 INCLUDES REMOVABLE PIVOTING HANDLE  
 W/ BUILT IN BUNG NUT WRENCH,  
 SEAL REMOVER AND DRUM LIFTER BAR

## SPECIAL FEATURES

NONE

\*\*SPECIAL UNITS ARE NON-RETURNABLE  
 \*AVAILABLE AT ADDITIONAL COSTS

PRODUCTION WILL START UPON  
 RECEIPT OF SIGNED APPROVAL  
 DRAWING

A I, THE UNDERSIGNED, AGREE THAT THE PRODUCT AS REPRESENTED  
 P SATISFIES DESIGN & DIMENSION REQUIREMENTS. I ALSO ACKNOWLEDGE  
 R MY DUTY TO CONFIRM PRODUCT & INSTALLATION COMPLIANCE WITH ALL  
 O APPLICABLE FEDERAL, STATE AND LOCAL REGULATIONS & STANDARDS.  
 V **ALL SPECIAL UNITS ARE NON-RETURNABLE**  
 A [ ] As drawn [ ] As marked  
 L Signed: \_\_\_\_\_ Date: \_\_\_\_\_  
 LEAD TIME WILL START UPON RECEIPT OF SIGNED APPROVAL DRAWING

DISTRIBUTOR'S NAME:		P.O.#: -
HOF EQUIPMENT COMPANY		W.O.#: -
PH: 888-990-1150		SALES: -
DRAWN BY: TJM	DATE: 1/30/2012	DRWG./FILE NAME:
REFERENCE: -	SCALE: 1:10	16-007-118
QUOTED LEADTIME: -	QUOTE #: -	