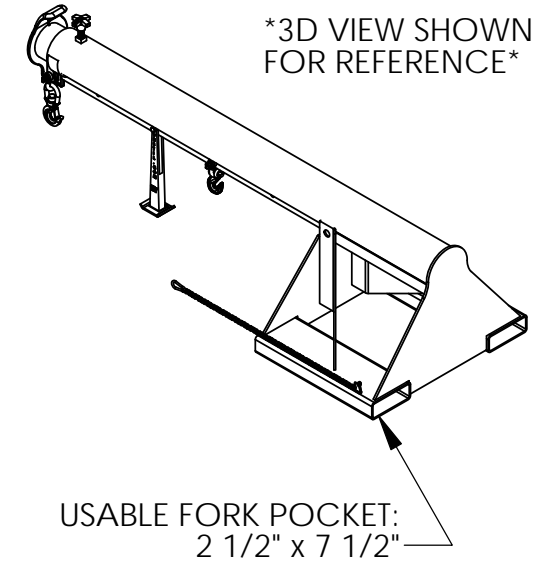
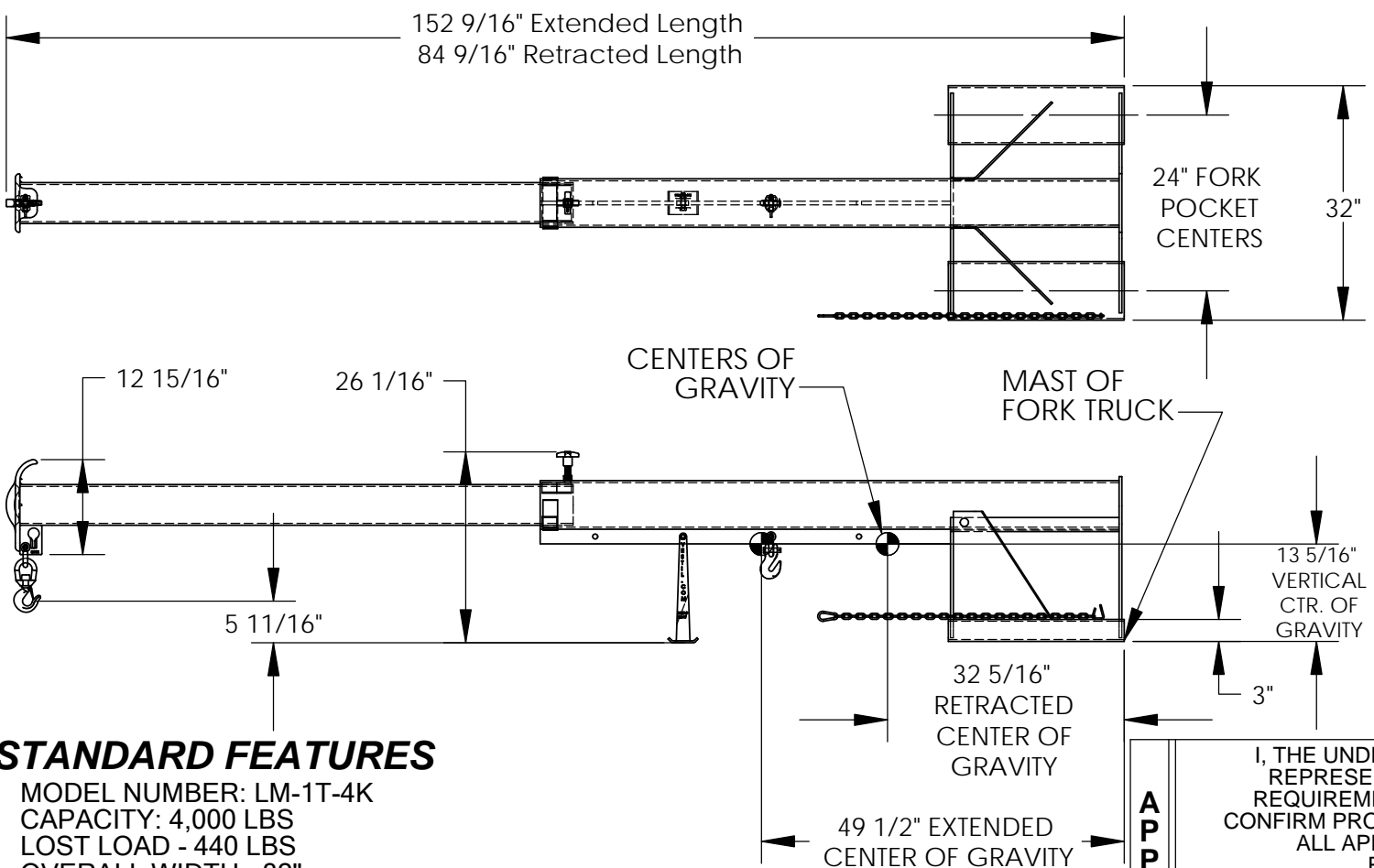


TELESCOPING LIFT MASTER ONE- LM-1T-4K

APPROX WEIGHT: 431.99 lbs.
DOES NOT INCLUDE WEIGHT OF POWER OR PACKAGING!!!

*** ANY ADDITIONS, DELETIONS, OR OMISSIONS MUST BE CORRECTED ON THIS DRAWING AS THIS DRAWING WILL BE CONSIDERED ALL INCLUSIVE ***
ALL GRAPHICS PROVIDED ARE FOR REFERENCE ONLY. IF CERTAIN DIMENSIONS ARE CRITICAL PLEASE VERIFY THOSE DIMENSIONS WITH YOUR SALESPERSON



SPECIAL FEATURES
NONE

STANDARD FEATURES

- MODEL NUMBER: LM-1T-4K
- CAPACITY: 4,000 LBS
- LOST LOAD - 440 LBS
- OVERALL WIDTH - 32"
- LENGTH (EXTENDED) - 152 9/16"
- LENGTH (RETRACTED) - 84 9/16"
- OVERALL HEIGHT - 26 1/16"
- USABLE FORK POCKET - 2 1/2" x 7 1/2"
- 24" FORK POCKET CENTERS
- 36" MINIMUM HOOK POINT
- 144" MAXIMUM HOOK POINT
- EFFECTIVE THICKNESS: LESS THAN 1"

NEVER EXCEED LOAD CENTER RATING PER FORK TRUCK MANUFACTURER'S GUIDELINES.
DO NOT USE THIS FORK TRUCK ATTACHEMENT IF LOAD WILL EXCEED FORK TRUCK MANUFACTURER'S LOAD CENTER RATING.

*--MAXIMUM SINGLE HOOK CAPACITIES

APPROVAL

I, THE UNDERSIGNED, AGREE THAT THE PRODUCT AS REPRESENTED SATISFIES DESIGN AND DIMENSION REQUIREMENTS. I ALSO ACKNOWLEDGE MY DUTY TO CONFIRM PRODUCT AND INSTALLATION COMPLIANCE WITH ALL APPLICABLE FEDERAL, STATE AND LOCAL REGULATIONS AND STANDARDS.

ALL SPECIAL UNITS ARE NON-RETURNABLE
[] As drawn [] As marked

Signed: _____ Date: _____

LEAD TIME WILL START UPON RECEIPT OF SIGNED APPROVAL DRAWING

DISTRIBUTOR'S NAME: HOF Equipment Company		P.O.# X
Phone#: 888-990-1150		W.O.# X
DRAWN BY: ND	DATE: 2/24/09	SALES: X
REFERENCE: X	QUOTE # X	FILE NAME: 08-007-128

DISTANCE	36"	48"	60"	72"	84"	96"	108"	120"	132"	144"
CAPACITY*	4000	3750	3500	3250	3000	2750	2500	2250	2000	1750