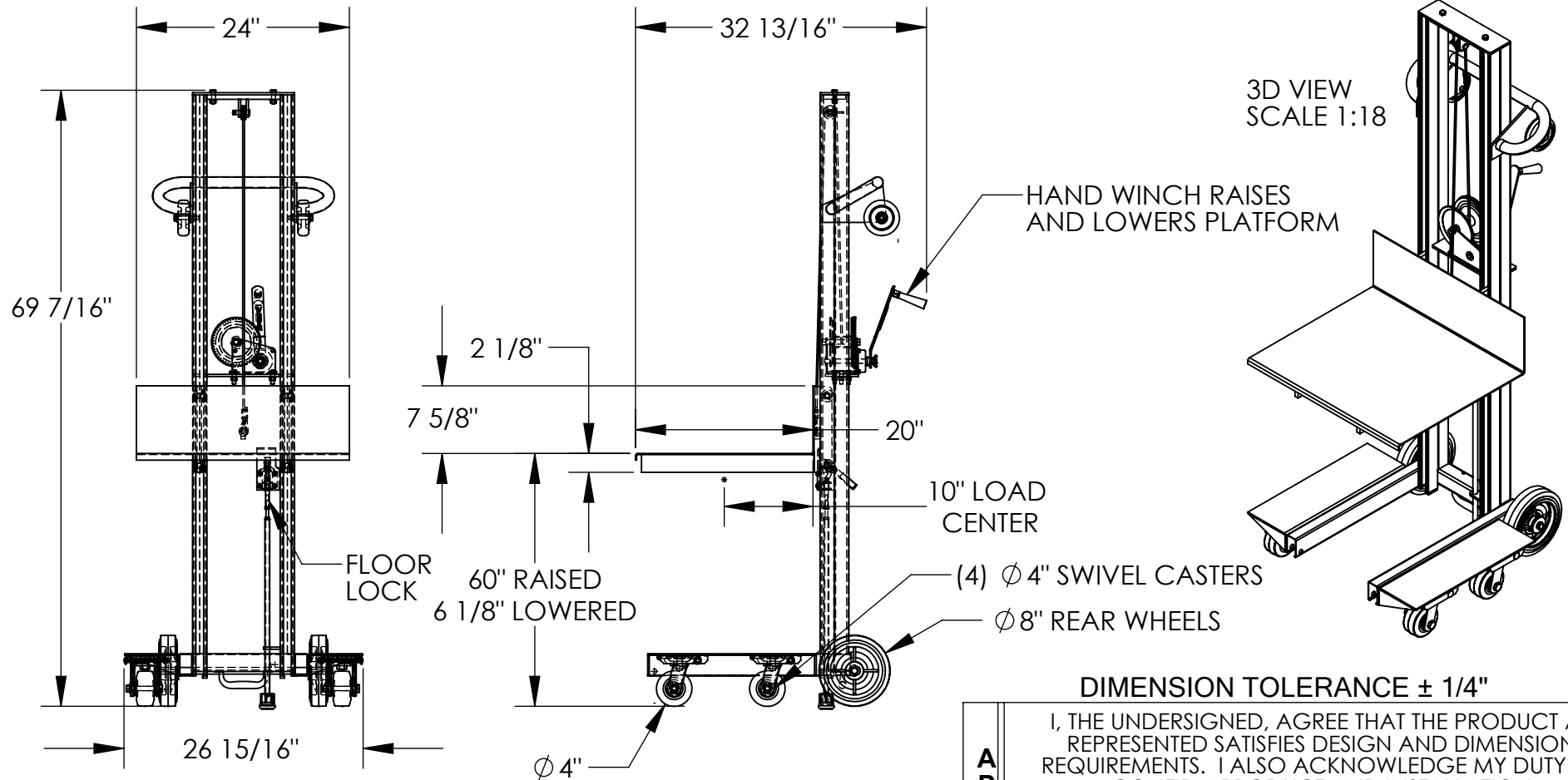


LOW PROFILE LITE LOAD LIFT - LLW-242060-4SFL

APPROX WEIGHT: 214.43 lbs.
 DOES NOT INCLUDE WEIGHT OF POWER OR PACKAGING!!!

*** ANY ADDITIONS, DELETIONS, OR OMISSIONS MUST BE CORRECTED ON THIS DRAWING AS THIS DRAWING WILL BE CONSIDERED ALL INCLUSIVE ***

ALL GRAPHICS PROVIDED ARE FOR REFERENCE ONLY. IF CERTAIN DIMENSIONS ARE CRITICAL PLEASE VERIFY THOSE DIMENSIONS WITH YOUR SALESPERSON



DIMENSION TOLERANCE ± 1/4"

STANDARD FEATURES

- MODEL NUMBER: LLPW-242060-4SFL
- CAPACITY: 400 LBS.
- PLATFORM WIDTH: 24"
- PLATFORM LENGTH: 20"
- OVERALL WIDTH: 26 15/16"
- OVERALL LENGTH: 32 13/16"
- OVERALL HEIGHT: 69 7/16"
- RAISED HEIGHT: 60"
- LOWERED HEIGHT: 6 1/8"
- HAND WICH OPERATION
- HAND OPERATED FLOOR LOCK
- STEEL CONSTRUCTION
- TOUGH BAKED IN POWDER COATED BLUE FINISH

SPECIAL FEATURES

NONE

APPROVAL

I, THE UNDERSIGNED, AGREE THAT THE PRODUCT AS REPRESENTED SATISFIES DESIGN AND DIMENSION REQUIREMENTS. I ALSO ACKNOWLEDGE MY DUTY TO CONFIRM PRODUCT AND INSTALLATION COMPLIANCE WITH ALL APPLICABLE FEDERAL, STATE AND LOCAL REGULATIONS AND STANDARDS.

UNITS REQUIRING APPROVAL DRAWINGS OR MODIFIED ARE NON-RETURNABLE

[] As drawn [] As marked

Signed: _____ Date: _____

Printed Name: _____

LEAD TIME WILL START UPON RECEIPT OF SIGNED APPROVAL DRAWING

FOR INTERNAL USE ONLY PROJECT SIGN OFF	
SALES	
ENG.	
FAB.	
POWER	

DISTRIBUTOR'S NAME: HOF EQUIPMENT COMPANY		P.O.# X
PH: 888-990-1150		W.O.# X
DRAWN BY: WHR	DATE: 01/18/2012	SALES: X
REFERENCE: X	SCALE: 1:18	FILE NAME: 21-007-007
QUOTED LEAD TIME: X	QUOTE # X	