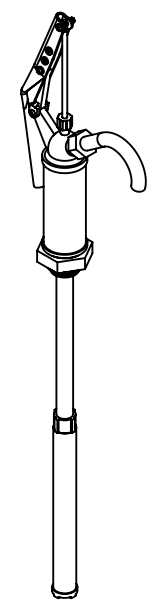
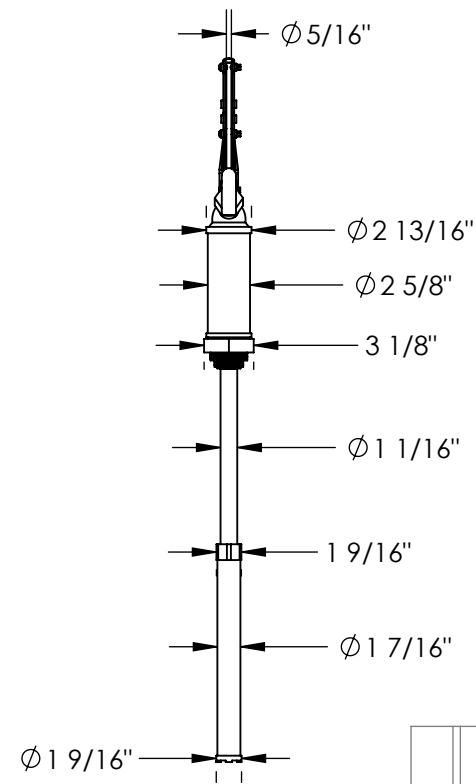
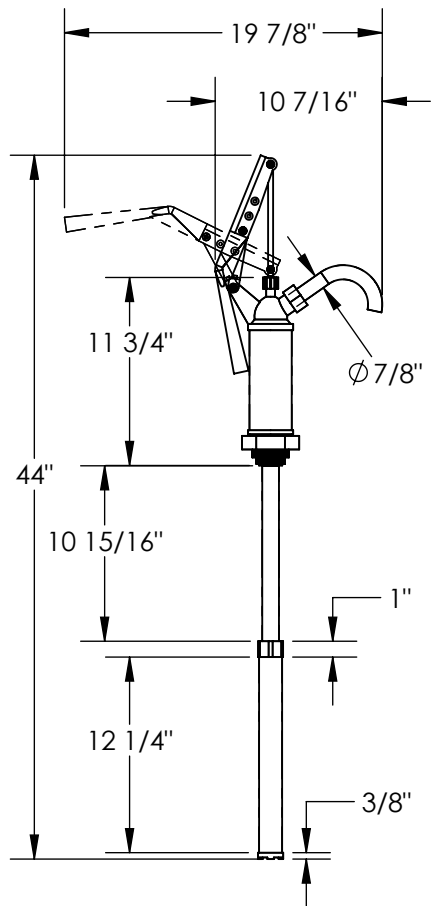


# LEVER ACTION (POLYPHENYLENE SULFIDE (PPS), 316 SS ROD) - LDP-RYT APPROX WEIGHT: 3.08 lbs. DOES NOT INCLUDE WEIGHT OF POWER OR PACKAGING!!!

\*\*\* ANY ADDITIONS, DELETIONS, OR OMISSIONS MUST BE CORRECTED ON THIS DRAWING AS THIS DRAWING WILL BE CONSIDERED ALL INCLUSIVE \*\*\*  
 ALL GRAPHICS PROVIDED ARE FOR REFERENCE ONLY. IF CERTAIN DIMENSIONS ARE CRITICAL PLEASE VERIFY THOSE DIMENSIONS WITH YOUR SALESPERSON



DIMENSION TOLERANCE ± 1/4"

## STANDARD FEATURES

- MODEL NUMBER IS LDP-RYT
- OVERALL WIDTH IS 3 1/8"
- OVERALL LENGTH IS 19 7/8"
- OVERALL HEIGHT IS 44"
- DISPLACEMENT PER STROKE 12oz.
- FITS 2" BUNG
- CONSTRUCTION POLYPHENYLENE SULFIDE (PPS), 316 SS ROD

## SPECIAL FEATURES

NONE

**APPROVAL**

I, THE UNDERSIGNED, AGREE THAT THE PRODUCT AS REPRESENTED SATISFIES DESIGN AND DIMENSION REQUIREMENTS. I ALSO ACKNOWLEDGE MY DUTY TO CONFIRM PRODUCT AND INSTALLATION COMPLIANCE WITH ALL APPLICABLE FEDERAL, STATE AND LOCAL REGULATIONS AND STANDARDS.  
**ALL SPECIAL UNITS ARE NON-RETURNABLE**  
 As drawn       As marked

Signed: \_\_\_\_\_ Date: \_\_\_\_\_

LEAD TIME WILL START UPON RECEIPT OF SIGNED APPROVAL DRAWING

DISTRIBUTOR'S NAME:		P.O.#
HOF EQUIPMENT COMPANY		X
PH: 888-990-1150		W.O.#
DRAWN BY: RS		X
DATE: 08/22/2012	SALES: X	FILE NAME:
REFERENCE: X	SCALE: 1:12	40-007-060
QUOTED LEAD TIME: X	QUOTE # X	