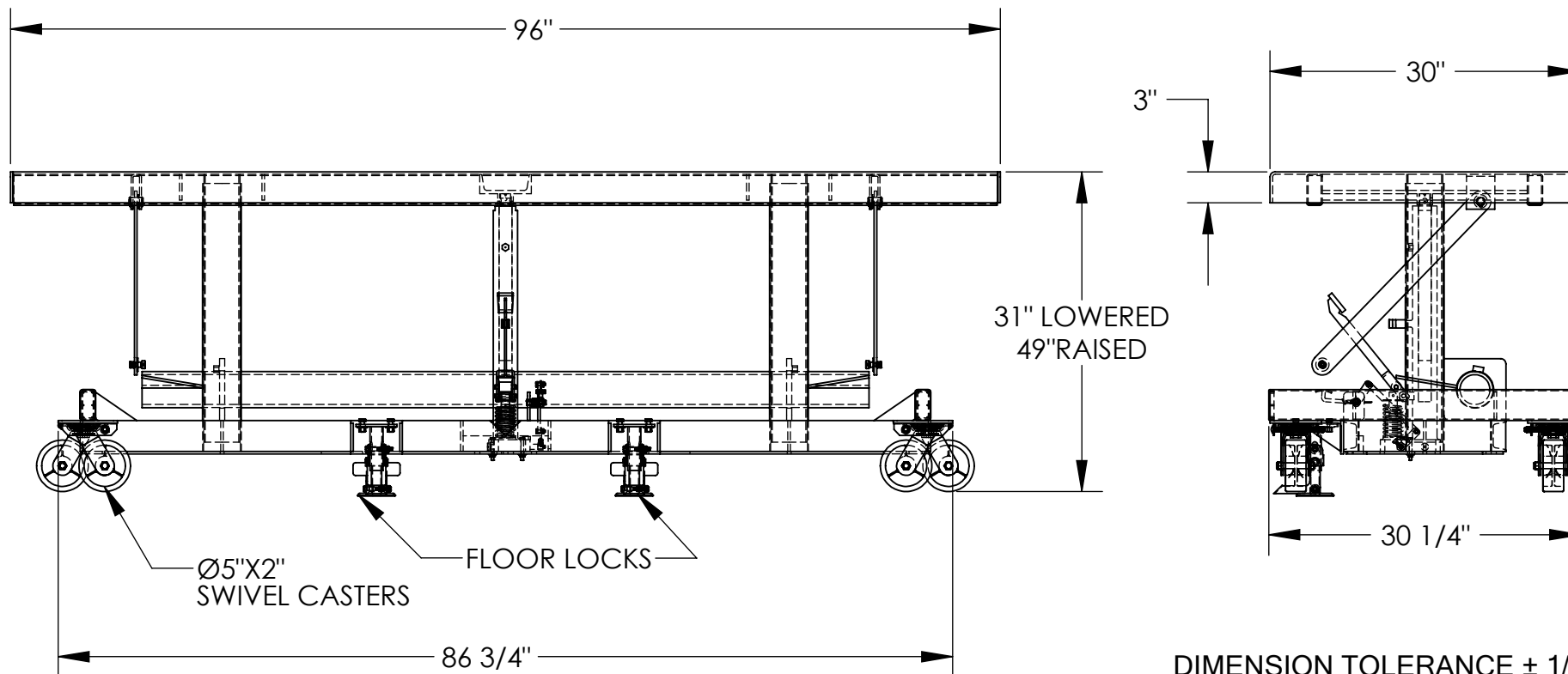


LONG DECK CART - LDLT-3096

APPROX WEIGHT: 731.80 lbs.
 DOES NOT INCLUDE WEIGHT OF POWER OR PACKAGING!!!

*** ANY ADDITIONS, DELETIONS, OR OMISSIONS MUST BE CORRECTED ON THIS DRAWING AS THIS DRAWING WILL BE CONSIDERED ALL INCLUSIVE ***

ALL GRAPHICS PROVIDED ARE FOR REFERENCE ONLY. IF CERTAIN DIMENSIONS ARE CRITICAL PLEASE VERIFY THOSE DIMENSIONS WITH YOUR SALESPERSON



DIMENSION TOLERANCE ± 1/4"

STANDARD FEATURES

SPECIAL FEATURES

NONE

- MODEL NUMBER IS LDLT-3096
- CAPACITY IS 2000 LBS. (EVENLY DISTRIBUTED)
- PLATFORM WIDTH IS 30"
- FRAME WIDTH IS 30 1/4"
- PLATFORM LENGTH IS 96"
- FRAME LENGTH IS 86 3/4"
- PLATFORM RAISED HEIGHT IS 49"
- PLATFORM LOWERED HEIGHT IS 31"
- FOUR SWIVEL 5"X2" POLY-ON-STEEL CASTERS
- DUAL FLOOR LOCKS
- MANUAL FOOT PUMP OPERATION
- DURABLE LIQUID PAINT BLUE FINISH

I, THE UNDERSIGNED, AGREE THAT THE PRODUCT AS REPRESENTED SATISFIES DESIGN AND DIMENSION REQUIREMENTS. I ALSO ACKNOWLEDGE MY DUTY TO CONFIRM PRODUCT AND INSTALLATION COMPLIANCE WITH ALL APPLICABLE FEDERAL, STATE AND LOCAL REGULATIONS AND STANDARDS.

ANY MODIFIED UNITS ARE NON-RETURNABLE

[] As drawn [] As marked

Signed: _____ Date: _____

Printed Name: _____

LEAD TIME WILL START UPON RECEIPT OF SIGNED APPROVAL DRAWING

APPROVAL

FOR INTERNAL USE ONLY
 PROJECT SIGN OFF

| | |
|-------|--|
| SALES | |
| ENG. | |
| FAB. | |
| POWER | |

| | | |
|--|-------------------|--------------------------|
| DISTRIBUTOR'S NAME: HOF EQUIPMENT COMPANY | | P.O.# X |
| PH: 888-990-1150 | | W.O.# X |
| DRAWN BY: SR | DATE: 10/26/06 | SALES: X |
| REFERENCE: X | SCALE: 1:14 | FILE NAME: 21-007-056 |
| QUOTED LEAD TIME: X | QUOTE # X | |