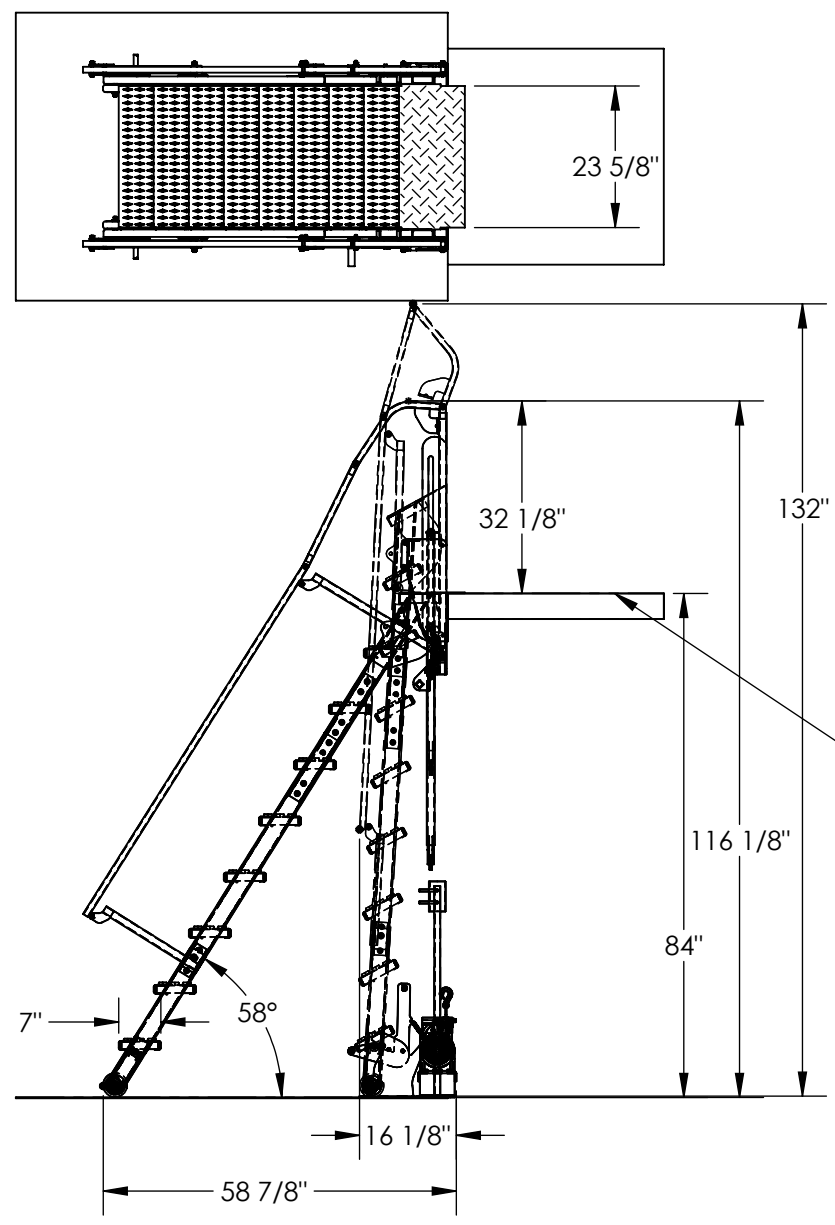


# FOLDING MEZZANINE LADDER 115VAC PWR, LAD-FM-84-PSO

APPROX WEIGHT: 431.12 lbs.  
 DOES NOT INCLUDE WEIGHT OF POWER OR PACKAGING!!!

\*\*\* ANY ADDITIONS, DELETIONS, OR OMISSIONS MUST BE CORRECTED ON THIS DRAWING AS THIS DRAWING WILL BE CONSIDERED ALL INCLUSIVE \*\*\*  
 ALL GRAPHICS PROVIDED ARE FOR REFERENCE ONLY. IF CERTAIN DIMENSIONS ARE CRITICAL PLEASE VERIFY THOSE DIMENSIONS WITH YOUR SALESPERSON



- STANDARD FEATURES**
- MODEL NUMBER: LAD-FM-84-PSO
  - STEP DEPTH: 7"
  - OVERALL WIDTH: 35 1/4"
  - STEP HEIGHT: 9 3/8"
  - HANDRAIL HEIGHT: 32 1/8"
  - MEZZANINE HEIGHT: 84"
  - EXTENDED HEIGHT: 116 1/8"
  - EXTENDED LENGTH: 58 7/8"
  - RETRACTED HEIGHT: 132" (APPROX.)
  - STEP MATERIAL: SERRATED STEEL
  - MAX CAPACITY: 350 LBS.
  - 115VAC PWR CABLE HOIST
  - TOUGH BAKED IN POWDER COATED BLUE AND YELLOW FINISH

IT IS THE CUSTOMER'S RESPONSIBILITY TO MAKE SURE THAT THIS UNIT COMPLIES WITH ALL LOCAL SAFETY LAWS, CODES AND REGULATIONS

**SPECIAL FEATURES**

NONE

MEZZANINE SHOWN FOR REFERENCE ONLY -NOT INCLUDED

DIMENSION TOLERANCE ± 1/4"

APPROVAL

I, THE UNDERSIGNED, AGREE THAT THE PRODUCT AS REPRESENTED SATISFIES DESIGN AND DIMENSION REQUIREMENTS. I ALSO ACKNOWLEDGE MY DUTY TO CONFIRM PRODUCT AND INSTALLATION COMPLIANCE WITH ALL APPLICABLE FEDERAL, STATE AND LOCAL REGULATIONS AND STANDARDS.

**UNITS REQUIRING APPROVAL DRAWINGS OR MODIFIED ARE NON-RETURNABLE**

[ ] As drawn [ ] As marked

Signed: \_\_\_\_\_ Date: \_\_\_\_\_

Printed Name: \_\_\_\_\_

LEAD TIME WILL START UPON RECEIPT OF SIGNED APPROVAL DRAWING

DISTRIBUTOR'S NAME:		P.O.#
HOF EQUIPMENT COMPANY		X
PH: 888-990-1150		W.O.#
		X
DRAWN BY:	DATE:	SALES:
NBE	4/15/2021	X
REFERENCE:	SCALE:	FILE NAME:
X	1:32	
QUOTED LEAD TIME:	QUOTE #	44-007-712
X	N/A	