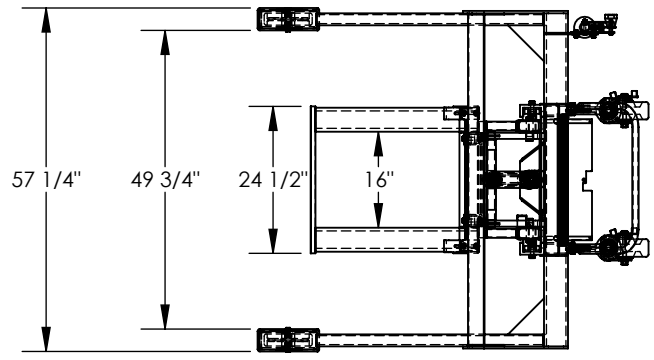


MULTI-PURPOSE TOTE DUMPER-JMD-1000-48

APPROX WEIGHT: 1113.82 lbs.
 DOES NOT INCLUDE WEIGHT OF POWER OR PACKAGING!!!

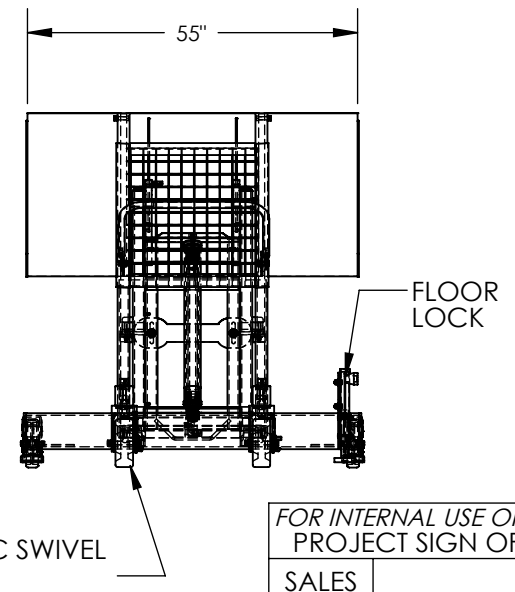
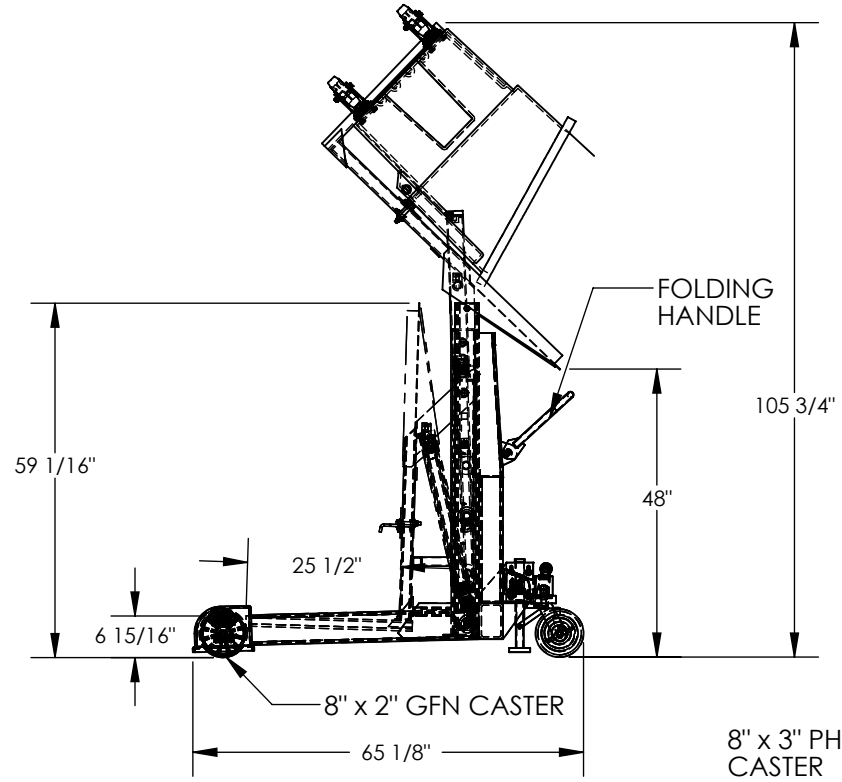
ANY ADDITIONS, DELETIONS, OR OMISSIONS MUST BE CORRECTED ON THIS DRAWING AS THIS DRAWING WILL BE CONSIDERED ALL INCLUSIVE



PLEASE CIRCLE SPECIFICATIONS:

POWER	<input type="checkbox"/> AC	<input checked="" type="checkbox"/> DC (12V)	<input type="checkbox"/> AIR/OIL	
MOTOR VOLTAGE	<input type="checkbox"/> 115	<input type="checkbox"/> 208	<input type="checkbox"/> 230	<input type="checkbox"/> 460
DEDICATED CIRCUIT REQUIRED				
MOTOR PHASE	<input type="checkbox"/> SINGLE		<input type="checkbox"/> THREE	
CONTROL	<input checked="" type="checkbox"/> HAND		<input type="checkbox"/> * FOOT	
~ ALL BATTERY CHARGERS ARE 115V AC ~				
BATTERY CHR.G.	<input type="checkbox"/> REMOTE		<input type="checkbox"/> ON-BOARD	
* CHR.G. INDICATOR	<input type="checkbox"/> YES		<input type="checkbox"/> NO	

* AVAILABLE AT ADDITIONAL COST



FOR INTERNAL USE ONLY	
PROJECT SIGN OFF	
SALES	
ENG.	
FAB.	
POWER	

ALL GRAPHICS PROVIDED ARE FOR REFERENCE ONLY. IF CERTAIN DIMENSIONS ARE CRITICAL PLEASE VERIFY THOSE DIMENSIONS WITH YOUR SALESPERSON

STANDARD FEATURES

- MODEL NUMBER IS JMD-1000-48
- MAXIMUM CAPACITY IS 600 LBS
- *CAPACITY MAY BE DOWN RATED TO CAPACITY OF TOTE BEING USED
- OVERALL WIDTH IS 57 1/4"
- USABLE CHUTE WIDTH IS 55"
- STRADDLE WIDTH(I.D.) IS 49 3/4"
- OVERALL LENGTH IS 65 1/8"
- DUMP HEIGHT IS 48"
- OVERALL LOWERED HEIGHT IS 59 1/16"
- OVERALL ROTATED HEIGHT IS 105 3/4"
- MAXIMUM ROTATION ANGLE IS 135°
- FLOOR LOCK
- INCLUDES ONE MPT-2 POLYETHYLENE TOTE (600 LBS CAP)
- DURABLE LIQUID PAINT BLUE FINISH

*ADDITIONAL TOTES

- MPT-1 TOTE HAS A 200 LBS CAP.
- MPT-2 TOTE HAS A 600 LBS CAP.

SPECIAL FEATURES

NONE

DIMENSION TOLERANCE ± 1/4"

APPROVAL	I, THE UNDERSIGNED, AGREE THAT THE PRODUCT AS REPRESENTED SATISFIES DESIGN AND DIMENSION REQUIREMENTS. I ALSO ACKNOWLEDGE MY DUTY TO CONFIRM PRODUCT AND INSTALLATION COMPLIANCE WITH ALL APPLICABLE FEDERAL, STATE AND LOCAL REGULATIONS AND STANDARDS.	
	ANY MODIFIED UNITS ARE NON-RETURNABLE	
	[] As drawn [] As marked	
	Signed: _____	Date: _____
Printed Name: _____		
LEAD TIME WILL START UPON RECEIPT OF SIGNED APPROVAL DRAWING		

DISTRIBUTOR'S NAME: HOF EQUIPMENT COMPANY		P.O.# X
PH: 888-990-1150		W.O.# X
DRAWN BY: WHR	DATE: 12/21/2011	SALES: X
REFERENCE: X	SCALE: 1:32	FILE NAME:
QUOTED LEAD TIME: X	QUOTE # X	34-007-016