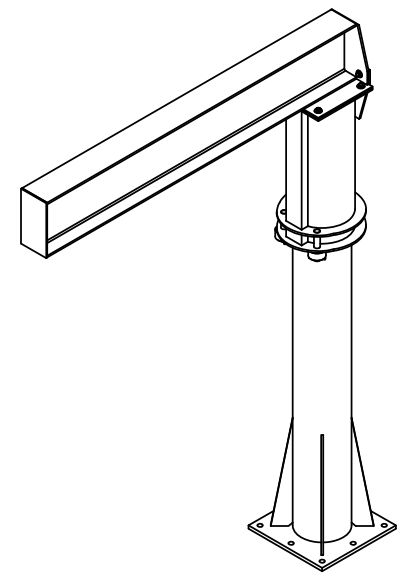
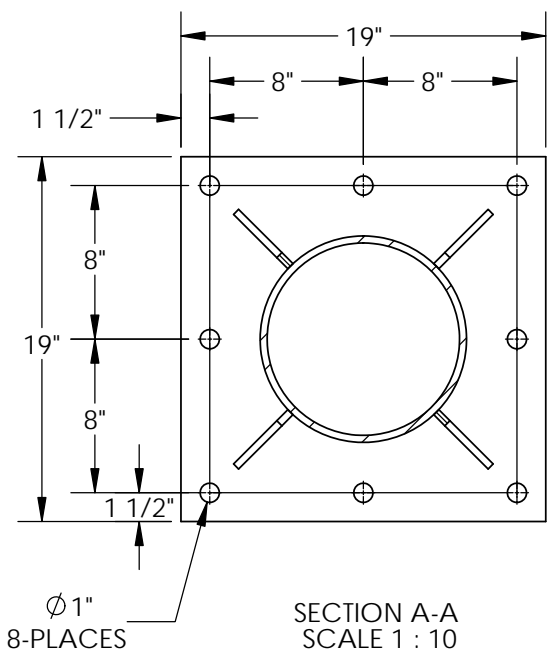
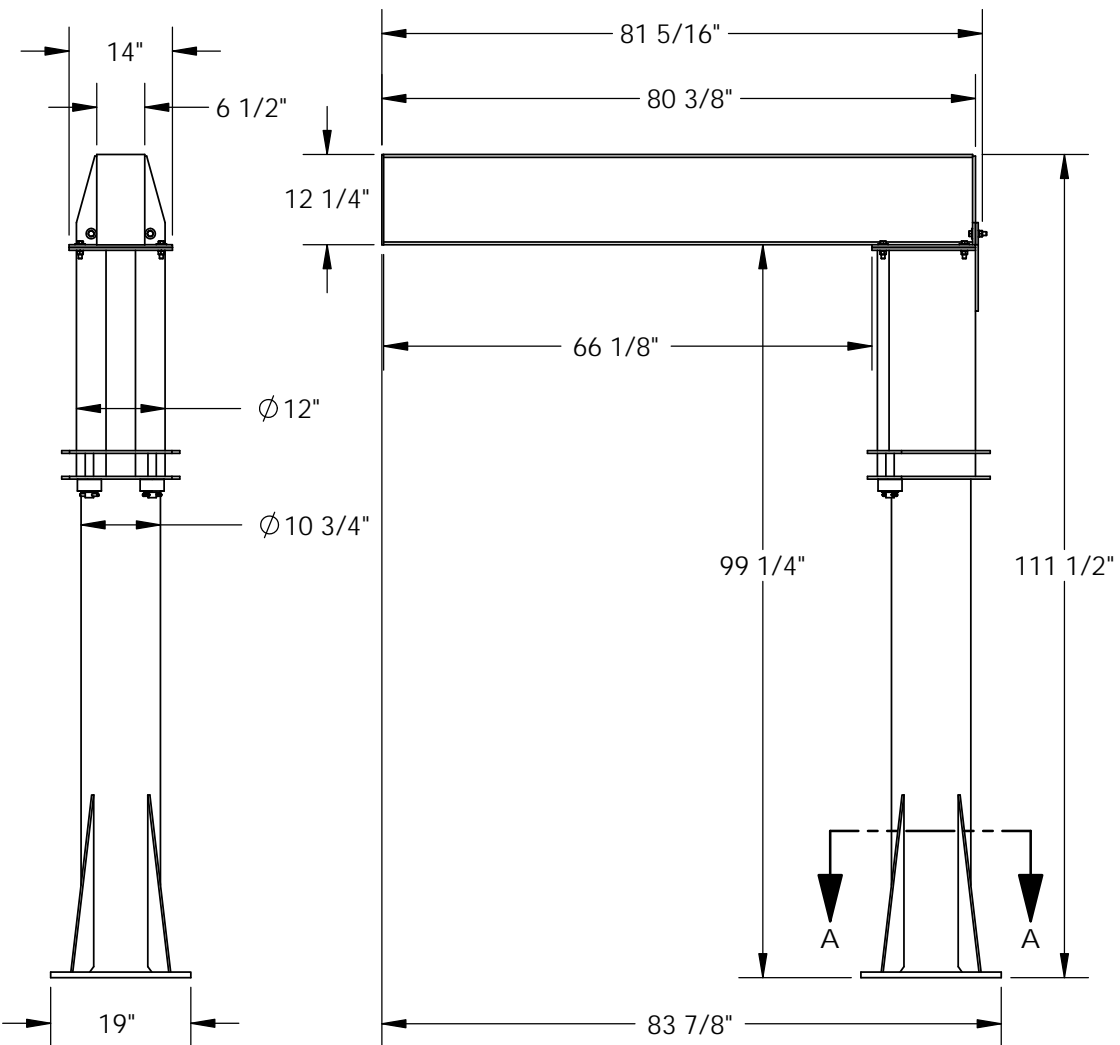


FLOOR MOUNTED JIB CRANE - JIB-FM-40

APPROX WEIGHT: 765.03 lbs.
 DOES NOT INCLUDE WEIGHT OF POWER OR PACKAGING!!!

*** ANY ADDITIONS, DELETIONS, OR OMISSIONS MUST BE CORRECTED ON THIS DRAWING AS THIS DRAWING WILL BE CONSIDERED ALL INCLUSIVE ***
 ALL GRAPHICS PROVIDED ARE FOR REFERENCE ONLY. IF CERTAIN DIMENSIONS ARE CRITICAL PLEASE VERIFY THOSE DIMENSIONS WITH YOUR SALESPERSON



3D VIEW SHOWN FOR REFERENCE ONLY

SPECIAL FOUNDATION MAY BE REQUIRED: SEE OWNERS MANUAL FOR DETAILS

DIMENSION TOLERANCE $\pm 1/4$ "

STANDARD FEATURES

- MODEL NUMBER IS JIB-FM-40
- CAPACITY IS 4,000 LBS.
- OVERALL WIDTH IS 19"
- OVERALL LENGTH IS 83 7/8"
- OVERALL I-BEAM LENGTH IS 80 3/8"
- USABLE I-BEAM LENGTH IS 66 1/8"
- OVERALL HEIGHT IS 111 1/2"
- UNDER I-BEAM CLEARANCE IS 99 1/4"
- I-BEAM SIZE: 12 1/4" HEIGHT X 6 1/2" FLANGE WIDTH
- 360° FULL ROTATION

SPECIAL FEATURES

NONE

| | | |
|--|--|-------------|
| APPROVAL | I, THE UNDERSIGNED, AGREE THAT THE PRODUCT AS REPRESENTED SATISFIES DESIGN AND DIMENSION REQUIREMENTS. I ALSO ACKNOWLEDGE MY DUTY TO CONFIRM PRODUCT AND INSTALLATION COMPLIANCE WITH ALL APPLICABLE FEDERAL, STATE AND LOCAL REGULATIONS AND STANDARDS. | |
| | ANY MODIFIED UNITS ARE NON-RETURNABLE | |
| | [] As drawn [] As marked | |
| | Signed: _____ | Date: _____ |
| Printed Name: _____ | | |
| LEAD TIME WILL START UPON RECEIPT OF SIGNED APPROVAL DRAWING | | |

| | |
|---|--|
| FOR INTERNAL USE ONLY PROJECT SIGN OFF | |
| SALES | |
| ENG. | |
| FAB. | |
| POWER | |

| | | |
|------------------------------|-------------|------------|
| DISTRIBUTOR'S NAME: | | P.O.# |
| HOF EQUIPMENT COMPANY | | X |
| PH: 888-990-1150 | | W.O.# |
| DRAWN BY: ND | | X |
| DATE: 10/16/09 | | SALES: X |
| REFERENCE: X | SCALE: 1:26 | FILE NAME: |
| QUOTED LEAD TIME: X | QUOTE # X | 28-007-265 |