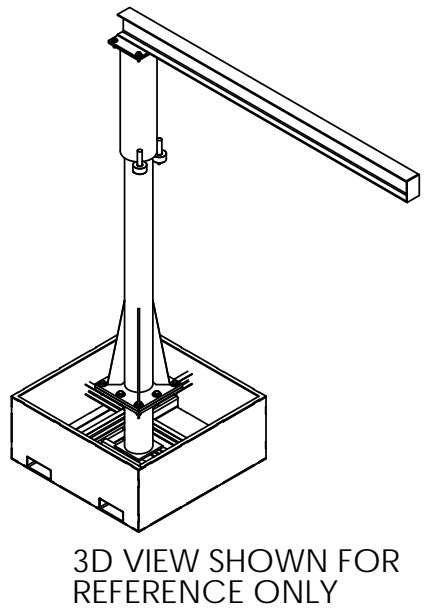
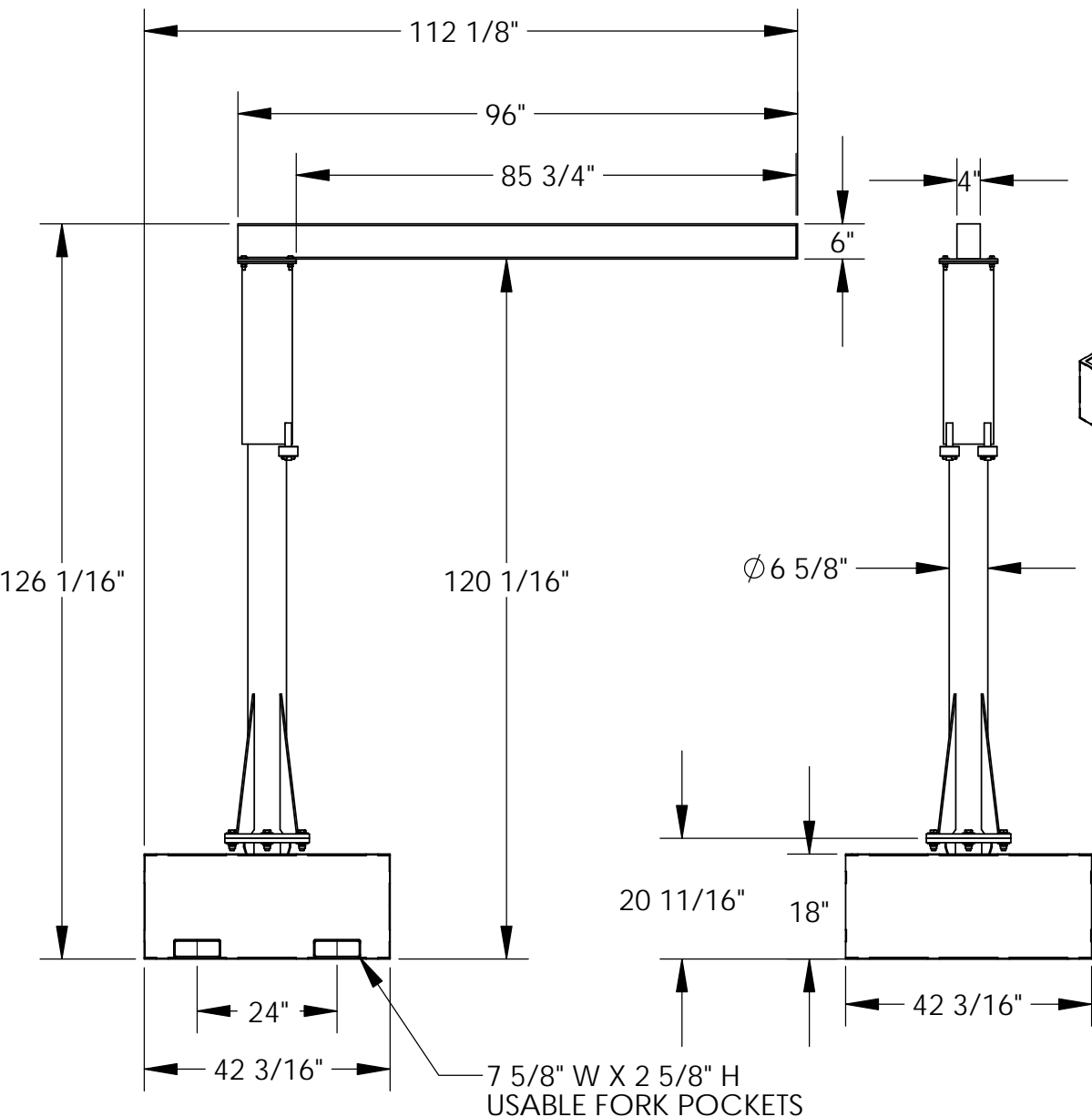


# PORTABLE JIB CRANE - JIB-CB-50-8-10

APPROX WEIGHT: 875.55 lbs.  
 DOES NOT INCLUDE WEIGHT OF POWER OR PACKAGING!!!

\*\*\*ANY ADDITIONS, DELETIONS, OR OMISSIONS MUST BE CORRECTED ON THIS DRAWING AS THIS DRAWING WILL BE CONSIDERED ALL INCLUSIVE\*\*\*  
 ALL GRAPHICS PROVIDED ARE FOR REFERENCE ONLY. IF CERTAIN DIMENSIONS ARE CRITICAL PLEASE VERIFY THOSE DIMENSIONS WITH YOUR SALESPERSON



FOR INTERNAL USE ONLY PROJECT SIGN OFF	
SALES	
ENG.	
FAB.	
POWER	

DIMENSION TOLERANCE ± 1/4"

## STANDARD FEATURES

- MODEL NUMBER IS JIB-CB-50-8-10
- CAPACITY IS 500 LBS.
- OVERALL WIDTH IS 42 3/16"
- USABLE WIDTH IS 4"
- OVERALL I-BEAM LENGTH IS 96"
- USABLE I-BEAM LENGTH IS 85 3/4"
- OVERALL HEIGHT IS 126 1/16"
- UNDER I-BEAM HEIGHT IS 120 1/16"
- BASE HEIGHT IS 18"
- I-BEAM SIZE IS 6" HEIGHT X 4" FLANGE WIDTH
- FORK CENTERS IS 24"
- USABLE FORK POCKETS IS:  
7 5/8" W X 2 5/8" H

## SPECIAL FEATURES

NONE

I, THE UNDERSIGNED, AGREE THAT THE PRODUCT AS REPRESENTED SATISFIES DESIGN AND DIMENSION REQUIREMENTS. I ALSO ACKNOWLEDGE MY DUTY TO CONFIRM PRODUCT AND INSTALLATION COMPLIANCE WITH ALL APPLICABLE FEDERAL, STATE AND LOCAL REGULATIONS AND STANDARDS.

**ANY MODIFIED UNITS ARE NON-RETURNABLE**

As drawn       As marked

Signed: \_\_\_\_\_ Date: \_\_\_\_\_

Printed Name: \_\_\_\_\_

*LEAD TIME WILL START UPON RECEIPT OF SIGNED APPROVAL DRAWING*

DISTRIBUTOR'S NAME:		P.O.#	
HOF EQUIPMENT COMPANY		X	
PH: 888-990-1150		W.O.#	
DRAWN BY: ND		DATE: 8/26/2009	
SALES: X		SCALE: 1:30	
REFERENCE: X		FILE NAME:	
QUOTED LEAD TIME: X		28-007-181-001	
QUOTE #		X	