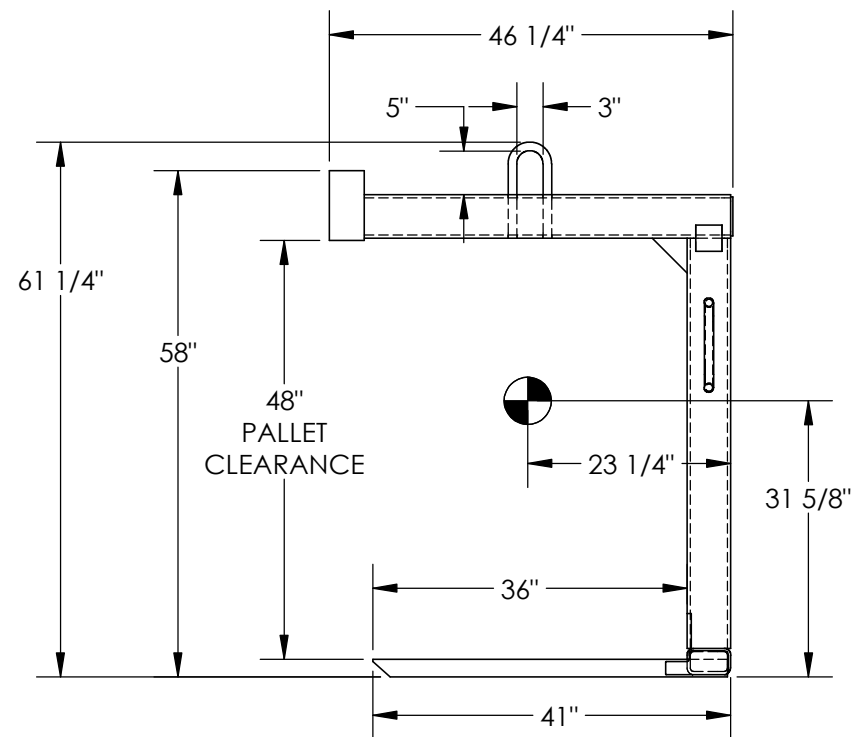
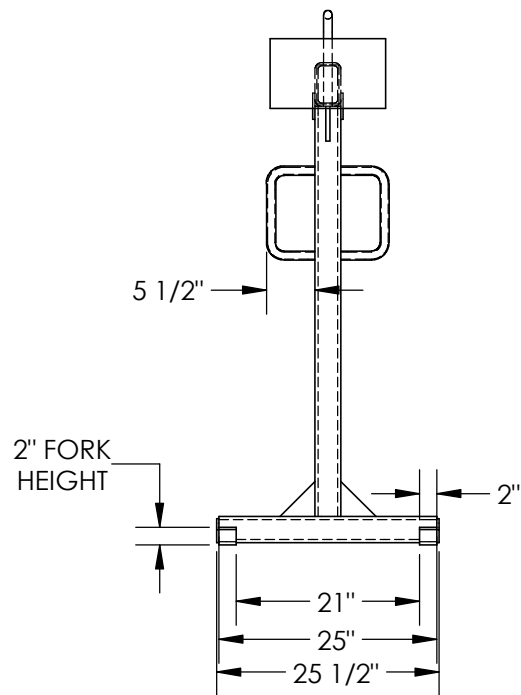


# PALLET LIFTER - HDP-2-36

APPROX WEIGHT: 383.16 lbs.  
DOES NOT INCLUDE WEIGHT OF POWER OR PACKAGING!!!

\*\*\* ANY ADDITIONS, DELETIONS, OR OMISSIONS MUST BE CORRECTED ON THIS DRAWING AS THIS DRAWING WILL BE CONSIDERED ALL INCLUSIVE \*\*\*

ALL GRAPHICS PROVIDED ARE FOR REFERENCE ONLY. IF CERTAIN DIMENSIONS ARE CRITICAL PLEASE VERIFY THOSE DIMENSIONS WITH YOUR SALESPERSON



DIMENSION TOLERANCE  $\pm 1/4$ "

FOR INTERNAL USE ONLY PROJECT SIGN OFF	
SALES	
ENG.	
FAB.	
POWER	

## STANDARD FEATURES

- MODEL NUMBER IS: HDP-2-36
- CAPACITY: 2000 LBS
- OVERALL WIDTH IS: 25 1/2"
- OVERALL LENGTH IS: 46 1/4"
- OVERALL HEIGHT IS: 61 1/4"
- 2 x 2 x 36" LG FORKS
- 3" x 5" INSIDE BAIL SIZE
- ALL STEEL CONSTRUCTION
- VERTICAL CENTER OF GRAVITY
- 31 5/8" FROM BOTTOM
- HORIZONTAL CENTER OF GRAVITY
- 23 1/4" FROM FRONT
- PAINTED VESTIL BLUE

## SPECIAL FEATURES

NONE

<b>APPROVAL</b>	I, THE UNDERSIGNED, AGREE THAT THE PRODUCT AS REPRESENTED SATISFIES DESIGN AND DIMENSION REQUIREMENTS. I ALSO ACKNOWLEDGE MY DUTY TO CONFIRM PRODUCT AND INSTALLATION COMPLIANCE WITH ALL APPLICABLE FEDERAL, STATE AND LOCAL REGULATIONS AND STANDARDS.	
	<b>ANY MODIFIED UNITS ARE NON-RETURNABLE</b>	
	[ ] As drawn      [ ] As marked	
Signed:	Date:	
Printed Name:		
LEAD TIME WILL START UPON RECEIPT OF SIGNED APPROVAL DRAWING		

DISTRIBUTOR'S NAME:		P.O.#
<b>HOF EQUIPMENT COMPANY</b>		X
PH: 888-990-1150		W.O.#
		X
DRAWN BY:	DATE:	SALES:
NF	09/15/2005	X
REFERENCE:	SCALE:	FILE NAME:
X	1:22	
QUOTED LEAD TIME:	QUOTE #	
X	X	15-007-040