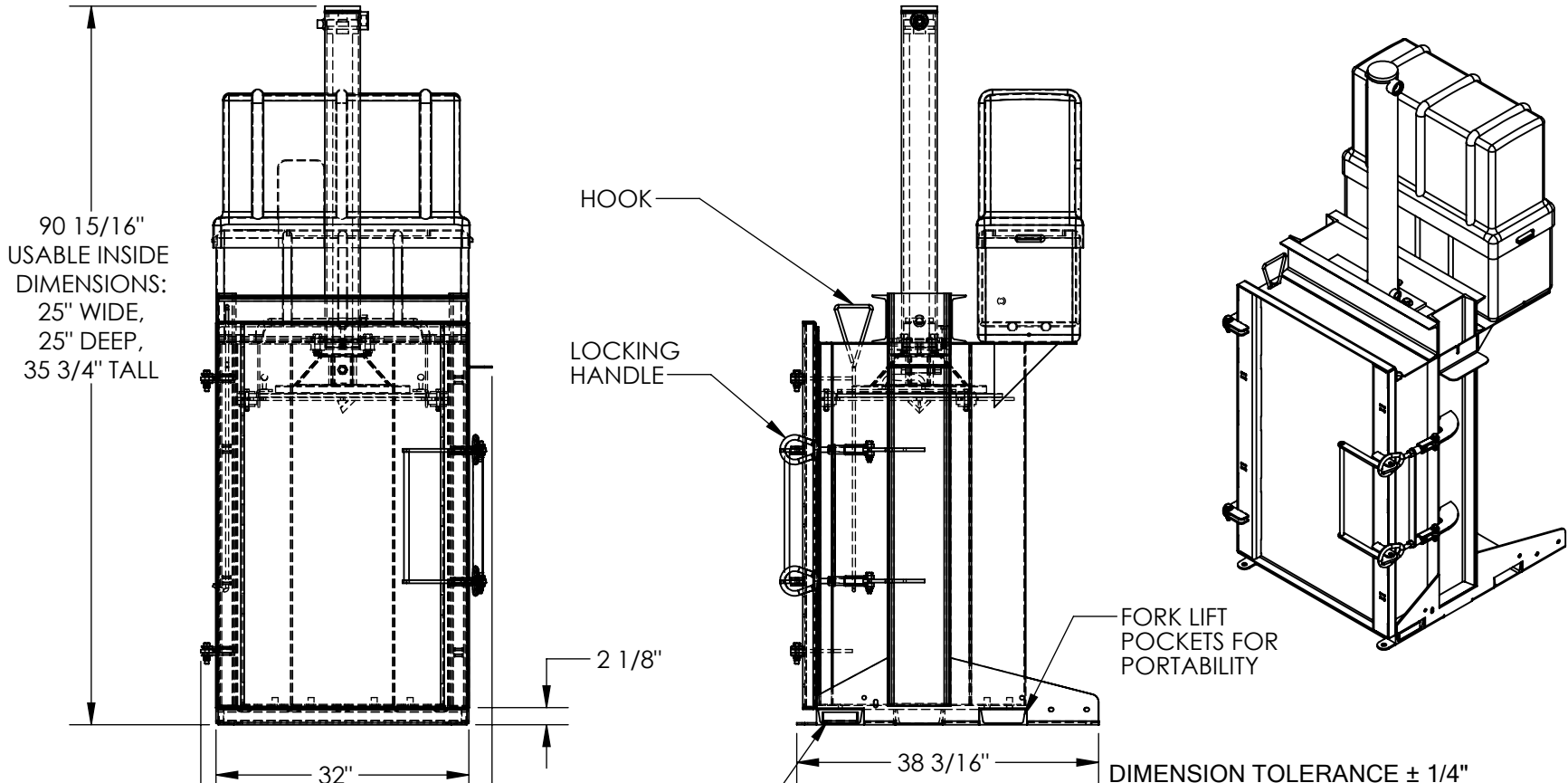


HYDRAULIC DRUM CRUSHER/ COMPACTOR-HDC-905-IDC/208V

APPROX WEIGHT: 1159.98 lbs.
DOES NOT INCLUDE WEIGHT OF POWER OR PACKAGING!!!

*** ANY ADDITIONS, DELETIONS, OR OMISSIONS MUST BE CORRECTED ON THIS DRAWING AS THIS DRAWING WILL BE CONSIDERED ALL INCLUSIVE ***
ALL GRAPHICS PROVIDED ARE FOR REFERENCE ONLY. IF CERTAIN DIMENSIONS ARE CRITICAL PLEASE VERIFY THOSE DIMENSIONS WITH YOUR SALESPERSON



STANDARD FEATURES

- MODEL NUMBER IS HDC-905-IDC/208V
- DRUM CRUSHER AND COMPACTOR
- STD. 55 GAL. DRUM CAPACITY
- POSITIVE DRUM POSITIONING
- DRUM HEAD PIERCER TO RELEASE INTERNAL DRUM PRESSURE
- 6.5 HP, THREE PHASE (PREWIRED FOR 208V)
- 2-SPEED HYD. GEAR PUMP -- 11 GPM
- 4" DIA. PISTON CYLINDER W/ 36" OF STROKE --FULL CYCLE TIME OF 25 SECONDS (CRUSH AND RETRACT)
- HYD.SYSTEM PRESS. RATING: 3000 PSI, W/ HYD. SYSTEM RELIEF VALVE
- 38,000 LBS. OF CRUSHING FORCE -- REDUCES STEEL DRUMS TO ONLY 6" HIGH
- 24V CONTROL CIRCUIT, WITH:
 - ON/OFF KEY SWITCH;
 - CYCLE START BUTTON;
 - CRUSH / COMPACT SELECTOR SWITCH;
 - TWO PRESSURE SWITCHES -- HIGH PRESSURE FOR CRUSHING, LOW PRESSURE FOR COMPACTING MATERIALS INSIDE A DRUM;
 - DOOR INTERLOCK SWITCH
 - DURABLE LIQUID PAINT BLUE FINISH

DRIP PAN CAPACITY: 1 GALLON

STANDARD POWER UP:
208 VOLT, 3-PHASE

SPECIAL FEATURES

NONE

FOR INTERNAL USE ONLY PROJECT SIGN OFF	
SALES	
ENG.	
FAB.	
POWER	

A P P R O V A L

I, THE UNDERSIGNED, AGREE THAT THE PRODUCT AS REPRESENTED SATISFIES DESIGN AND DIMENSION REQUIREMENTS. I ALSO ACKNOWLEDGE MY DUTY TO CONFIRM PRODUCT AND INSTALLATION COMPLIANCE WITH ALL APPLICABLE FEDERAL, STATE AND LOCAL REGULATIONS AND STANDARDS.

ANY MODIFIED UNITS ARE NON-RETURNABLE

[] As drawn [] As marked

Signed: _____ Date: _____

Printed Name: _____

LEAD TIME WILL START UPON RECEIPT OF SIGNED APPROVAL DRAWING

DISTRIBUTOR'S NAME:		P.O.#
HOF EQUIPMENT COMPANY		X
PH: 888-990-1150		W.O.#
DRAWN BY: TAW		X
DATE: 8/8/2016		SALES: X
REFERENCE: X	SCALE: 1:22	FILE NAME:
QUOTED LEAD TIME: X	QUOTE # X	22-007-017-001