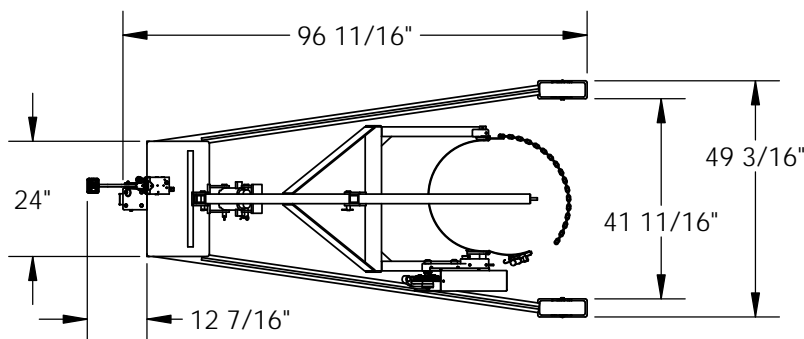


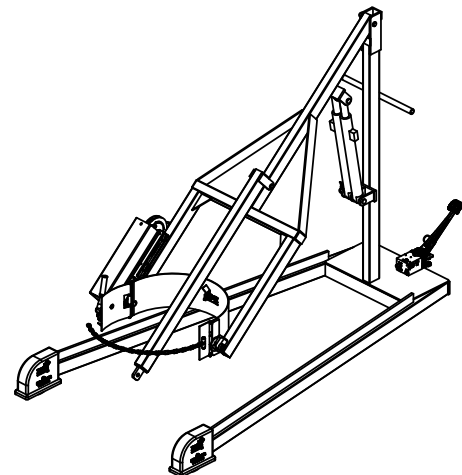
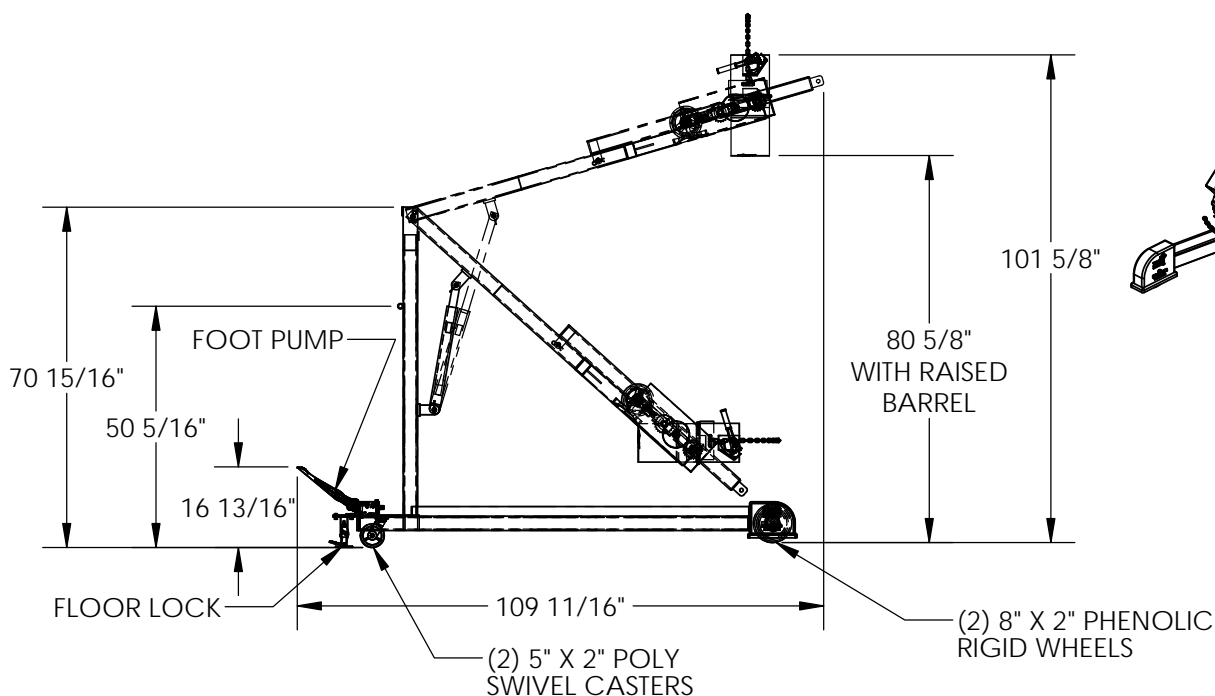
PORTABLE HYDRAULIC DRUM CARRIER - HDC-305-84

APPROX WEIGHT: 552 lbs.
DOES NOT INCLUDE WEIGHT OF POWER OR PACKAGING!!!

ANY ADDITIONS, DELETIONS, OR OMISSIONS MUST BE CORRECTED ON THIS DRAWING AS THIS DRAWING WILL BE CONSIDERED ALL INCLUSIVE



SHOWN IN LOWERED POSITION



FOR INTERNAL USE ONLY PROJECT SIGN OFF	
SALES	
ENG.	
FAB.	
POWER	

ALL GRAPHICS PROVIDED ARE FOR REFERENCE ONLY. IF CERTAIN DIMENSIONS ARE CRITICAL PLEASE VERIFY THOSE DIMENSIONS WITH YOUR SALESPERSON

DIMENSION TOLERANCE $\pm 1/4"$

STANDARD FEATURES

- MODEL NUMBER IS HDC-305-84
- CAPACITY IS 800 LBS
- OVERALL WIDTH IS 49 3/16"
- MAXIMUM OVERALL LENGTH IS 109 11/16"
- MAXIMUM OVERALL HEIGHT IS 101 5/8"
- OUT RIGGER INSIDE DIMENSION IS 41 11/16"
- PUSH HANDLE HEIGHT IS 50 5/16"
- MAXIMUM DRUM RAISED HEIGHT IS 80 5/8"
- (2) 5" X 2" REAR SWIVEL POLYURETHANE WHEELS
- (2) 8" X 2" FRONT RIGID PHENOLIC WHEELS
- PULL CHAIN DRUM ROTATION
- FOOT PUMP
- FLOOR LOCK

SPECIAL FEATURES

NONE

A P P R O V A L	I, THE UNDERSIGNED, AGREE THAT THE PRODUCT AS REPRESENTED SATISFIES DESIGN AND DIMENSION REQUIREMENTS. I ALSO ACKNOWLEDGE MY DUTY TO CONFIRM PRODUCT AND INSTALLATION COMPLIANCE WITH ALL APPLICABLE FEDERAL, STATE AND LOCAL REGULATIONS AND STANDARDS.	
	ALL SPECIAL UNITS ARE NON-RETURNABLE [] As drawn [] As marked	
Signed: _____		Date: _____
LEAD TIME WILL START UPON RECEIPT OF SIGNED APPROVAL DRAWING		

DISTRIBUTOR'S NAME:		P.O.#
VESTIL MANUFACTURING		X
		W.O.#
DRAWN BY: DEY	DATE: 12/07/11	SALES: X
REFERENCE: X	SCALE: 1:40	FILE NAME:
QUOTED LEAD TIME: X	QUOTE # X	09-007-038