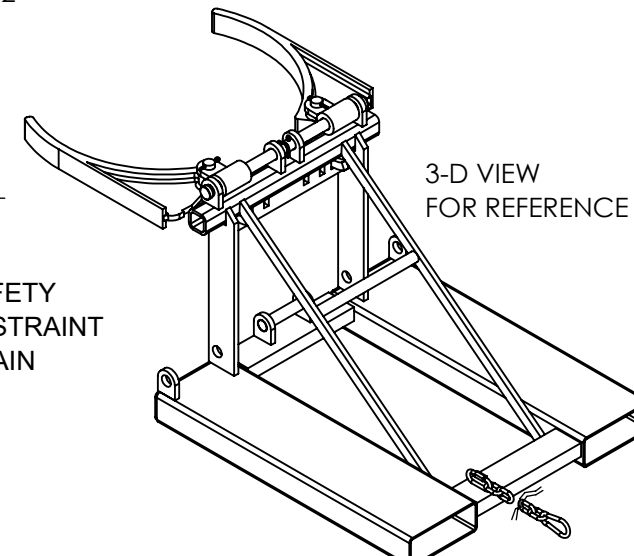
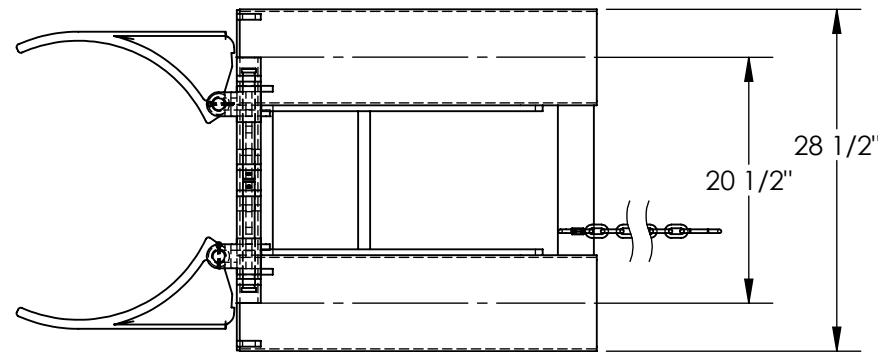


FORK MOUNTED POLY DRUM HANDLER - FPDL-11-H

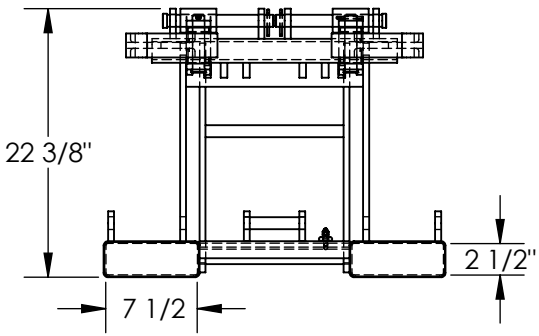
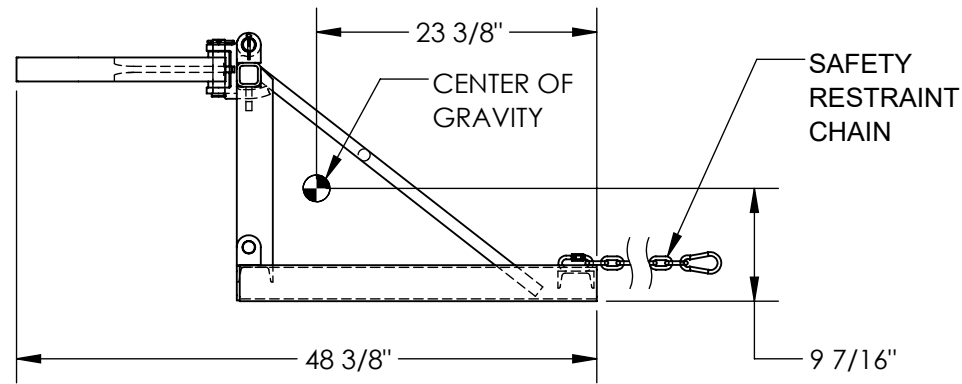
APPROX WEIGHT: 166.23 lbs.
 DOES NOT INCLUDE WEIGHT OF POWER OR PACKAGING!!!

*** ANY ADDITIONS, DELETIONS, OR OMISSIONS MUST BE CORRECTED ON THIS DRAWING AS THIS DRAWING WILL BE CONSIDERED ALL INCLUSIVE ***

ALL GRAPHICS PROVIDED ARE FOR REFERENCE ONLY. IF CERTAIN DIMENSIONS ARE CRITICAL PLEASE VERIFY THOSE DIMENSIONS WITH YOUR SALESPERSON



3-D VIEW FOR REFERENCE



STANDARD FEATURES

- MODEL NUMBER IS FPDL-11-H
- CAPACITY IS 1,100 LBS. (ONE DRUM)
- OVERALL WIDTH IS 28 1/2"
- OVERALL LENGTH IS 48 3/8"
- OVERALL HEIGHT IS 22 3/8"
- TOP GRIP HANDLER FOR USE WITH 30 AND 55 GALLON PLASTIC CLOSED HEAD DRUMS
- TOP LIP MUST BE STRONG ENOUGH TO SUPPORT THE WEIGHT OF THE DRUM
- FOR USE WITH TOP LIP AT LEAST 3/16" HIGH
- WILL ALSO WORK WITH STEEL AND FIBER DRUMS
- INCLUDES SAFETY RESTRAINT CHAIN TO SECURE UNIT TO FORK TRUCK
- WELDED STEEL CONSTRUCTION
- TOUGH BAKED IN POWDER COATED BLUE AND YELLOW FINISH
- USABLE FORK POCKETS ARE 7 1/2" W X 2 1/2" H
- FORK POCKETS ARE ON 20 1/2" CENTERS
- LOST LOAD IS 170 LBS (APPROX)
- EFFECTIVE THICKNESS IS FORK LENGTH MINUS 29 3/4"

SPECIAL FEATURES

NONE

DIMENSION TOLERANCE ± 1/4"

NEVER EXCEED LOAD CENTER RATING PER FORK TRUCK MANUFACTURER'S GUIDELINES. DO NOT USE THIS FORK TRUCK ATTACHEMENT IF LOAD WILL EXCEED FORK TRUCK MANUFACTURER'S LOAD CENTER RATING.

FOR INTERNAL USE ONLY PROJECT SIGN OFF	
SALES	
ENG.	
FAB.	
POWER	

APPROVAL

I, THE UNDERSIGNED, AGREE THAT THE PRODUCT AS REPRESENTED SATISFIES DESIGN AND DIMENSION REQUIREMENTS. I ALSO ACKNOWLEDGE MY DUTY TO CONFIRM PRODUCT AND INSTALLATION COMPLIANCE WITH ALL APPLICABLE FEDERAL, STATE AND LOCAL REGULATIONS AND STANDARDS.

ANY MODIFIED UNITS ARE NON-RETURNABLE

[] As drawn [] As marked

Signed: _____ Date: _____

Printed Name: _____

LEAD TIME WILL START UPON RECEIPT OF SIGNED APPROVAL DRAWING

DISTRIBUTOR'S NAME:		P.O.#
HOF EQUIPMENT COMPANY		X
PH: 888-990-1150		W.O.#
DRAWN BY: MTS		X
DATE: 11/21/2017	SALES: X	
REFERENCE: X	SCALE: 1:16	FILE NAME:
QUOTED LEAD TIME: X	QUOTE # X	40-007-007