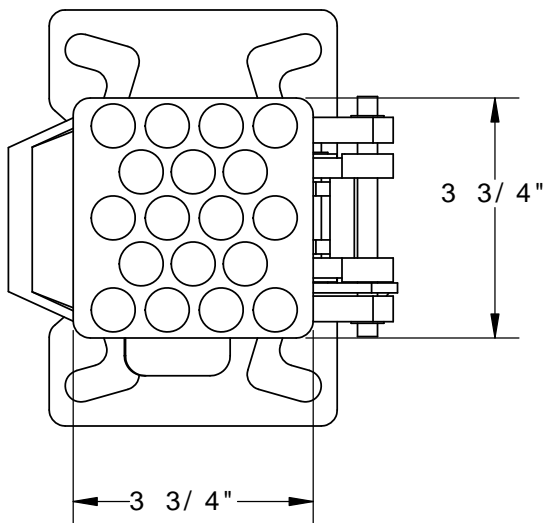
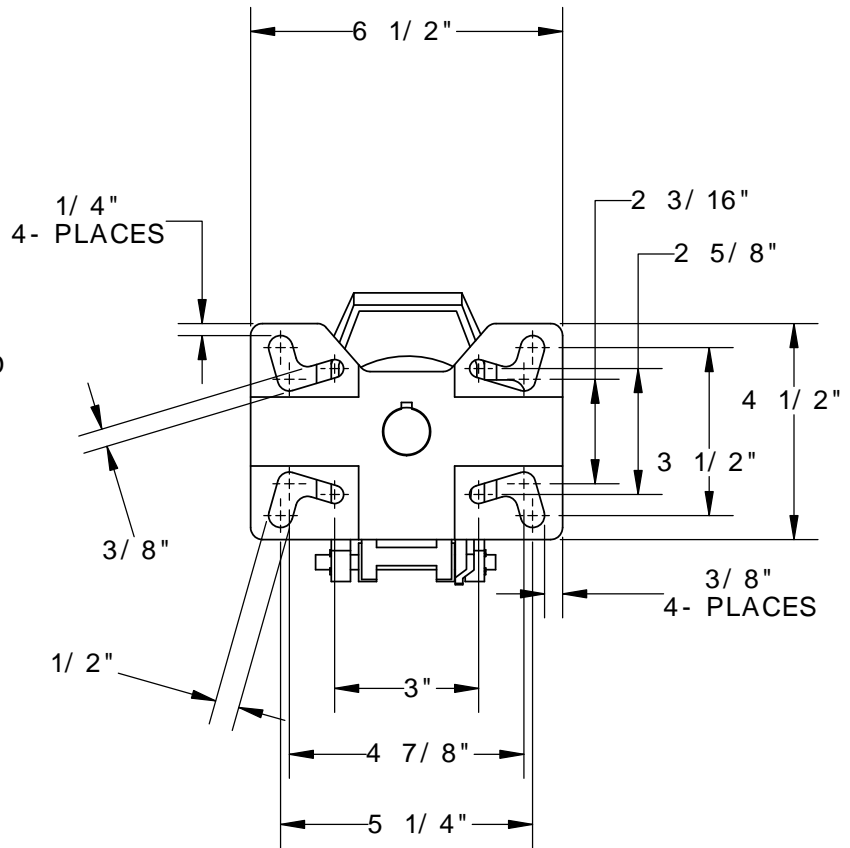
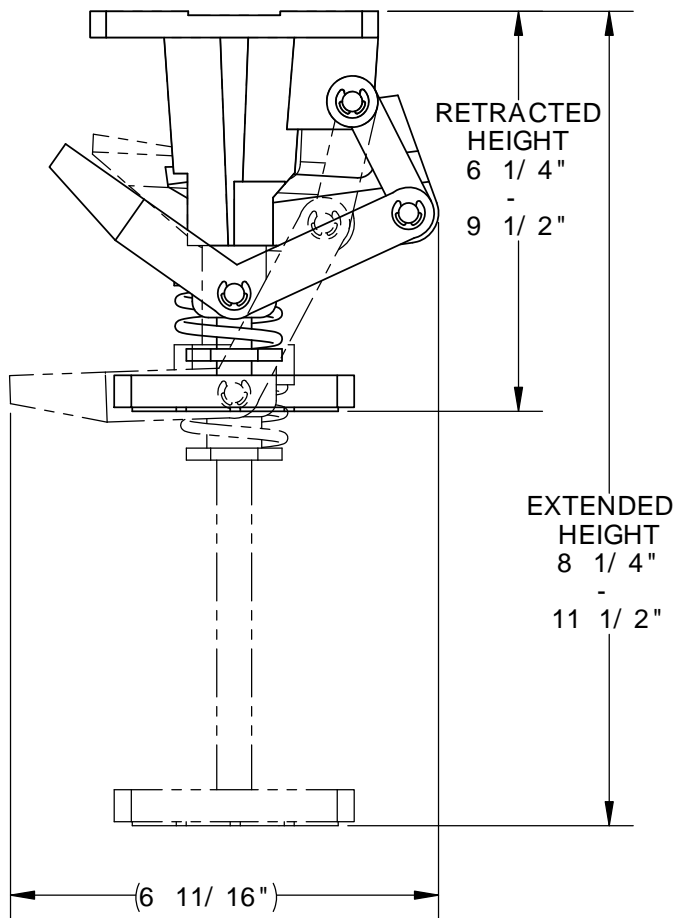


# ADJUSTABLE HEIGHT FLOOR LOCK - FL-ADJ-810

APPROX WEIGHT: 8 lbs.  
DOES NOT INCLUDE WEIGHT OF POWER OR PACKAGING!!!

\*\*\*ANY ADDITIONS, DELETIONS, OR OMISSIONS MUST BE CORRECTED ON THIS DRAWING AS THIS DRAWING WILL BE CONSIDERED ALL INCLUSIVE\*\*\*



## STANDARD FEATURES

MODEL#: FL-ADJ-810  
USED WITH CASTER SIZE: Ø6" - Ø8"  
HEIGHT:  
RETRACTED HEIGHT: 6 1/4" TO 9 1/2"  
EXTENDED HEIGHT: 8 1/4" TO 11 1/2"

## SPECIAL FEATURES

NONE

DIMENSION TOLERANCE ± 1/2"

ALL GRAPHICS PROVIDED ARE FOR REFERENCE ONLY.  
IF CERTAIN DIMENSIONS  
ARE CRITICAL PLEASE VERIFY THOSE  
DIMENSIONS WITH YOUR SALESPERSON

FOR INTERNAL USE ONLY PROJECT SIGN OFF	
SALES	
ENG.	
FAB.	
POWER	

<b>APPROVAL</b>	I, THE UNDERSIGNED, AGREE THAT THE PRODUCT AS REPRESENTED SATISFIES DESIGN AND DIMENSION REQUIREMENTS. I ALSO ACKNOWLEDGE MY DUTY TO CONFIRM PRODUCT AND INSTALLATION COMPLIANCE WITH ALL APPLICABLE FEDERAL, STATE AND LOCAL REGULATIONS AND STANDARDS.	
	<b>ANY MODIFIED UNITS ARE NON-RETURNABLE</b>	
	[ ] As drawn      [ ] As marked	
	Signed: _____	Date: _____
Printed Name: _____		
LEAD TIME WILL START UPON RECEIPT OF SIGNED APPROVAL DRAWING		

DISTRIBUTOR'S NAME: HOF EQUIPMENT COMPANY PH: 888-990-1150		P.O.# X
DRAWN BY: SR		DATE: 02/09/2005
REFERENCE: X	SCALE: 1:3	SALES: X
QUOTED LEAD TIME: X	QUOTE # X	FILE NAME: 16-007-190