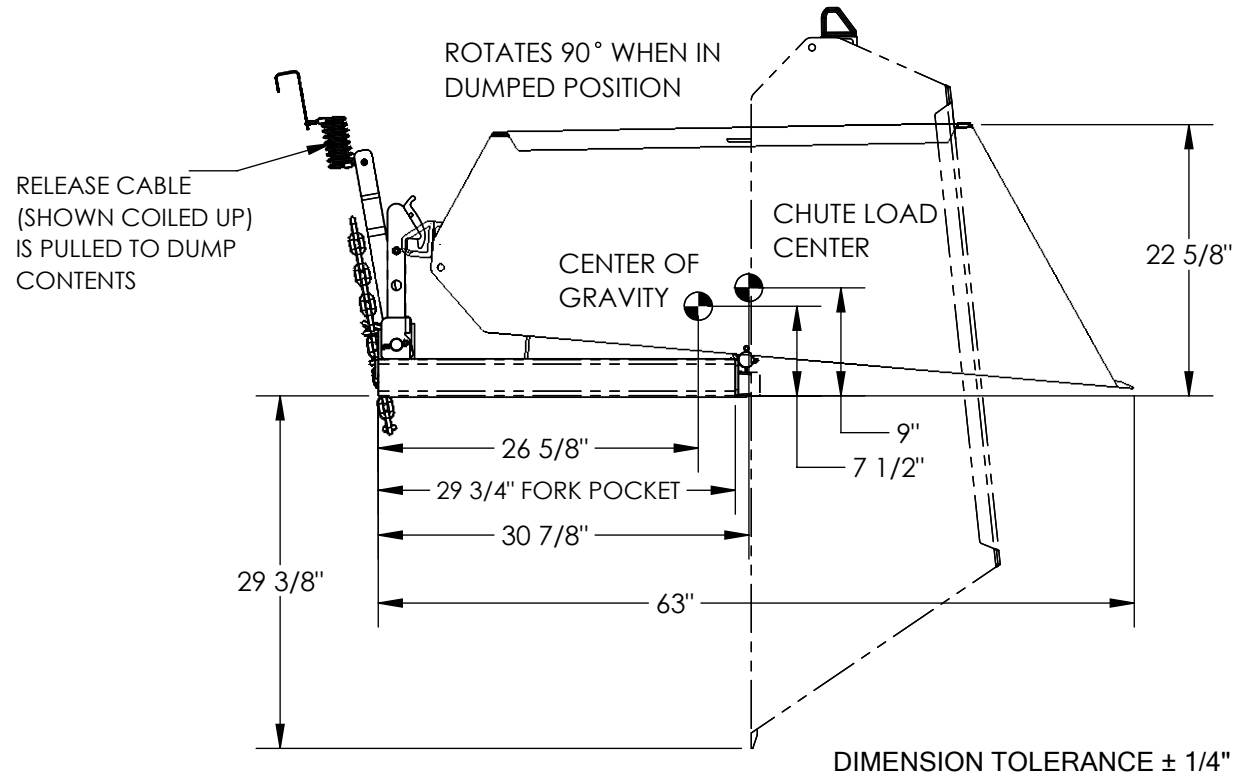
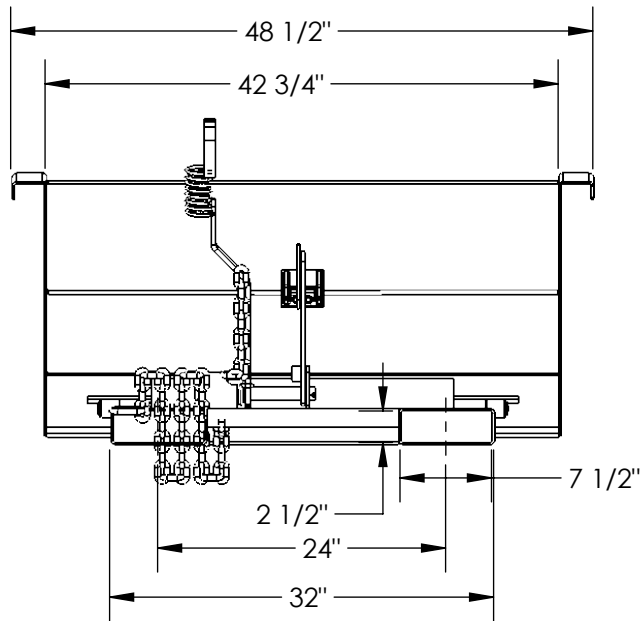


# NARROW FORK MOUNTED FRONT LOADER - FL-4000-N

APPROX WEIGHT: 443.78 lbs.  
DOES NOT INCLUDE WEIGHT OF POWER OR PACKAGING!!!

\*\*\* ANY ADDITIONS, DELETIONS, OR OMISSIONS MUST BE CORRECTED ON THIS DRAWING AS THIS DRAWING WILL BE CONSIDERED ALL INCLUSIVE \*\*\*

ALL GRAPHICS PROVIDED ARE FOR REFERENCE ONLY. IF CERTAIN DIMENSIONS ARE CRITICAL PLEASE VERIFY THOSE DIMENSIONS WITH YOUR SALESPERSON



NEVER EXCEED LOAD CENTER RATING PER FORK TRUCK MANUFACTURER'S GUIDELINES.  
DO NOT USE THIS FORK TRUCK ATTACHMENT IF LOAD WILL EXCEED FORK TRUCK MANUFACTURER'S LOAD CENTER RATING.

APPROX. WEIGHT/ LOST LOAD=443.78 LBS.  
EFFECTIVE THICKNESS= FORK LENGTH MINUS 29 3/4"

## STANDARD FEATURES

MODEL NUMBER: FL-4000-N  
WEIGHT CAPACITY: 4,000 LBS  
VOLUME CAPACITY: 1 CU YD (APPROX.)  
USABLE FORK POCKETS ARE 7 1/2" W X 2 1/2" H ON 24" CENTERS AND ARE 29 3/4" LONG  
RELEASE CABLE IS AT LEAST 48"  
SAFETY CHAIN TO SECURE UNIT TO FORK TRUCK  
OVERALL DIMENSIONS: 48 1/2" W x 63" L x 22 5/8" H  
TOUGH BAKED IN POWDER COATED BLUE FINISH

## SPECIAL FEATURES

NONE

<b>APPROVAL</b>	I, THE UNDERSIGNED, AGREE THAT THE PRODUCT AS REPRESENTED SATISFIES DESIGN AND DIMENSION REQUIREMENTS. I ALSO ACKNOWLEDGE MY DUTY TO CONFIRM PRODUCT AND INSTALLATION COMPLIANCE WITH ALL APPLICABLE FEDERAL, STATE AND LOCAL REGULATIONS AND STANDARDS.	
	<b>ANY MODIFIED UNITS ARE NON-RETURNABLE</b>	
	[ ] As drawn      [ ] As marked	
	Signed: _____	Date: _____
Printed Name: _____		
LEAD TIME WILL START UPON RECEIPT OF SIGNED APPROVAL DRAWING		

FOR INTERNAL USE ONLY PROJECT SIGN OFF	
SALES	
ENG.	
FAB.	
POWER	

DISTRIBUTOR'S NAME:		HOF EQUIPMENT COMPANY		P.O.#	X
		PH: 888-990-1150		W.O.#	X
DRAWN BY:	BJW	DATE:	10/5/2013	SALES:	X
REFERENCE:	X	SCALE:	1:16	FILE NAME:	
QUOTED LEAD TIME:	X	QUOTE #	X		37-007-088