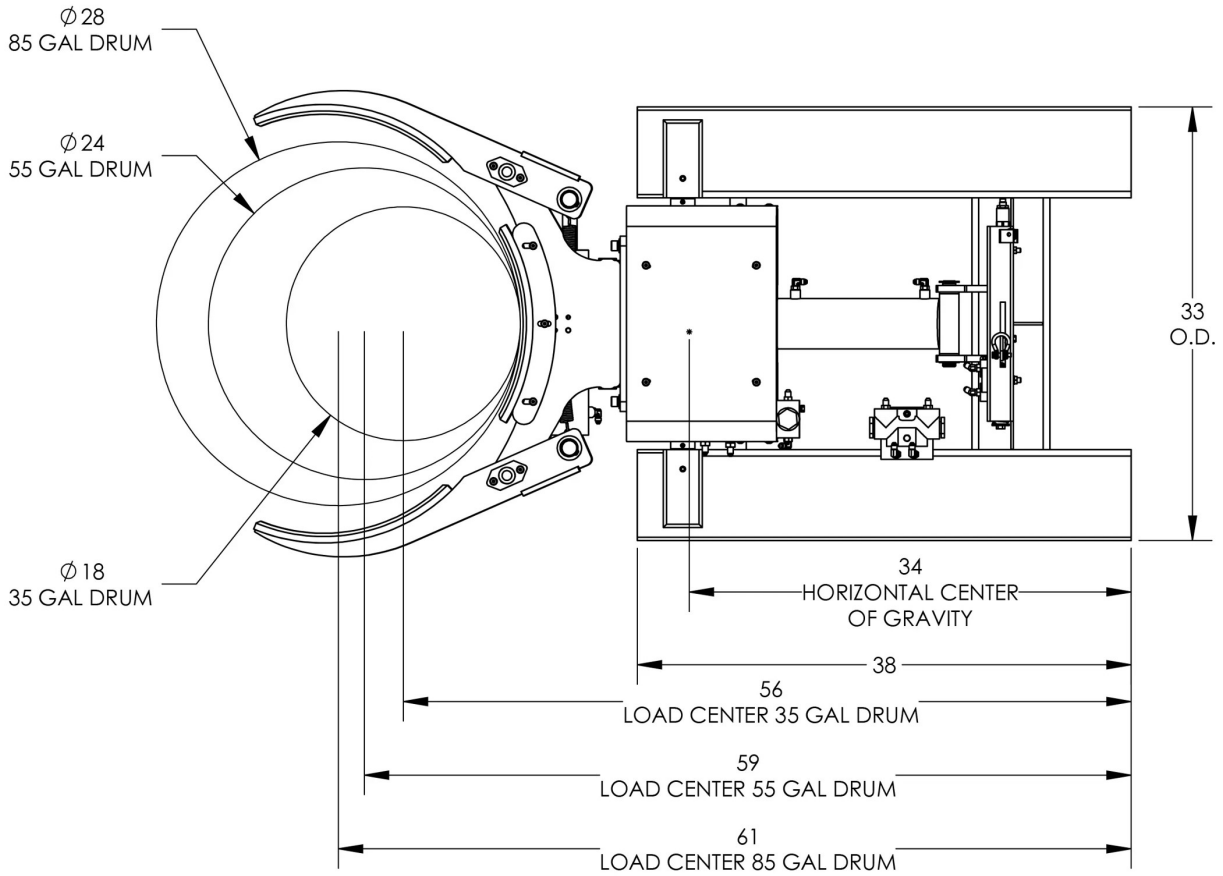


# F89700



## JAW SIZE

