

## Hydraulic Box Dumper Worksheet

Email this survey to [info@hofequipment.com](mailto:info@hofequipment.com) or fax to 773-530-1872 (no cover sheet needed).  
 Questions? Call us at 888-990-1150.

Company \_\_\_\_\_ Contact \_\_\_\_\_ Phone \_\_\_\_\_

Date \_\_\_\_\_ Quote# \_\_\_\_\_ Model# \_\_\_\_\_

**Dumper Specifications**

Standard Drum Sizes: 52"W x 48"L \_\_\_\_\_ 40"W x 36" L \_\_\_\_\_ Other \_\_\_\_\_

Dumper Capacity: 2000# \_\_\_\_\_ Dumper Discharge Height: 36" \_\_\_\_\_ 48" \_\_\_\_\_ 60" \_\_\_\_\_ 72" \_\_\_\_\_ 84" \_\_\_\_\_ 96" \_\_\_\_\_

Dumper Capacity: 4000# \_\_\_\_\_ Dumper Discharge Height: 36" \_\_\_\_\_ 48" \_\_\_\_\_ 60" \_\_\_\_\_ 72" \_\_\_\_\_

Dumper Capacity: 6000# \_\_\_\_\_ Dumper Discharge Height: 36" \_\_\_\_\_ 48" \_\_\_\_\_ 60" \_\_\_\_\_

Overhead Clearance \_\_\_\_\_ Other Obstructions \_\_\_\_\_

Dumper Finish: Powder Coat (std) \_\_\_\_\_ Std Industrial Enamel \_\_\_\_\_ Stainless Steel \_\_\_\_\_ Other \_\_\_\_\_

Standard Colors: EVI Safety Blue \_\_\_\_\_ Light Blue \_\_\_\_\_ Dark Blue \_\_\_\_\_ Profile Gray \_\_\_\_\_ Safety Yellow \_\_\_\_\_ Tan \_\_\_\_\_ Green \_\_\_\_\_

**Dumper Drum Design:**

Discharge Options: Product Guides? (to narrow discharge stream) to \_\_\_\_\_ " Wide

Discharge Chute: \_\_\_\_\_ " distance from dumper frame

Hold Down Options: Fixed/Custom? Please describe \_\_\_\_\_

**Power/Controls**

Voltage: 460 \_\_\_\_\_ 230 \_\_\_\_\_ 208 \_\_\_\_\_ 120 \_\_\_\_\_ 575 \_\_\_\_\_ 380 \_\_\_\_\_ Phase: Single \_\_\_\_\_ Three \_\_\_\_\_ Hertz: 50 \_\_\_\_\_ 60 \_\_\_\_\_

Controls: Hand Pendant (std) \_\_\_\_\_ Mounted Panel with pushbuttons \_\_\_\_\_ Foot Pedal \_\_\_\_\_ Washdown controls \_\_\_\_\_

Auto Run Panel with Gated Enclosure \_\_\_\_\_ Full up limit switch \_\_\_\_\_

**Options**

Dumper Options: Stand Mounted \_\_\_\_\_ Gated Enclosure \_\_\_\_\_ Power Up/Down \_\_\_\_\_

Other Specifications \_\_\_\_\_

**Material to be dumped**

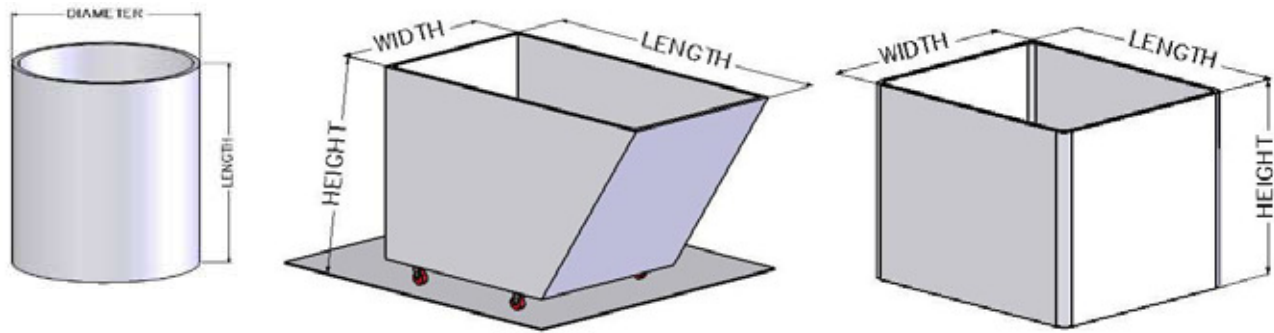
Please describe material to be dumped: \_\_\_\_\_

Method of loading dumper: Fork Truck \_\_\_\_\_ Pallet Jack \_\_\_\_\_ Rolled on \_\_\_\_\_ Other \_\_\_\_\_

Receiving Receptacle: Conveyor \_\_\_\_\_ Baler \_\_\_\_\_ Shredder \_\_\_\_\_ Container \_\_\_\_\_ Hopper \_\_\_\_\_ Table \_\_\_\_\_ Tray \_\_\_\_\_

Receptacle Opening: Length \_\_\_\_\_ Width \_\_\_\_\_ Height from floor \_\_\_\_\_

Please dimension all containers to be used with dumper:

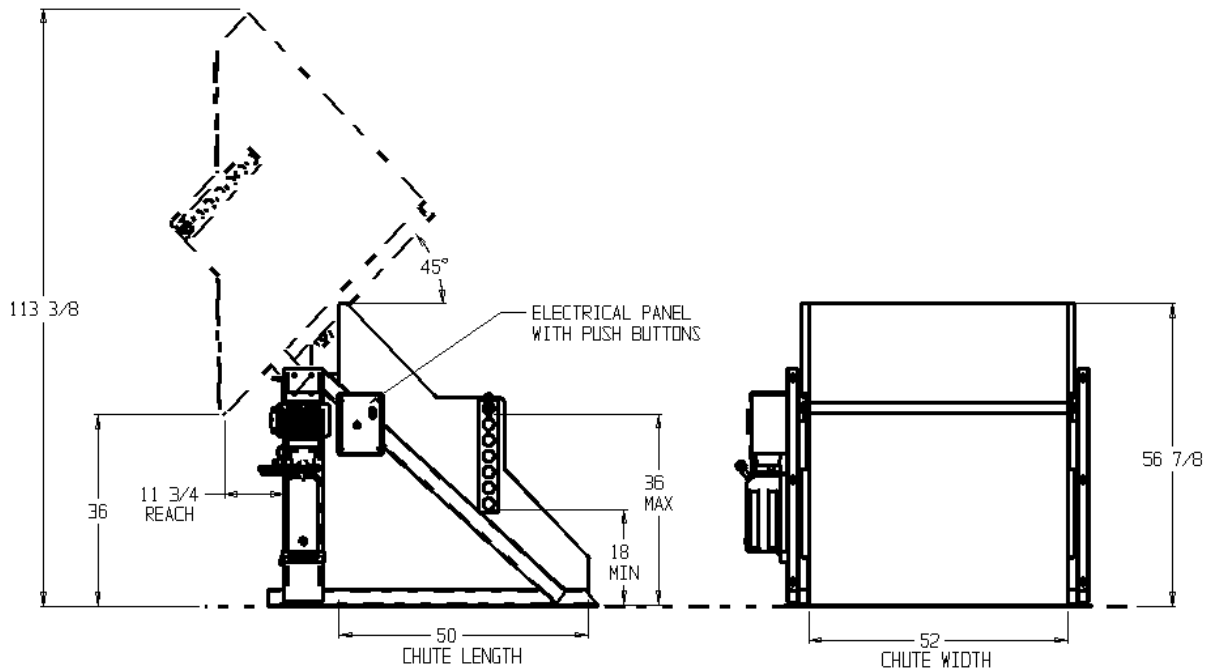


Please indicate the **width** as the side of the container that enters the dumper **first**

**MODEL #EV1-36-5250-460**

**Specifications**

<b>CAPACITY (lbs.):</b>	1000
<b>DUMP HEIGHT:</b>	36
<b>OVERALL HEIGHT:</b>	113 3/8
<b>CHUTE WIDTH:</b>	52
<b>CHUTE LENGTH:</b>	50
<b>CHUTE REACH:</b>	11 3/4
<b>HOLD DOWN RANGE:</b>	18-36
<b>ROTATION DEGREE:</b>	135
<b>HORSE POWER:</b>	1
<b>VOLTAGE:</b>	460/3 PHASE
<b>CONTROLS/VOLT:</b>	PUSH BUTTON CONTROLS/120 VAC
<b>LIFT TIME:</b>	20 SECONDS



MODEL #EV1-36-5250-460 WITH ENCLOSURE

