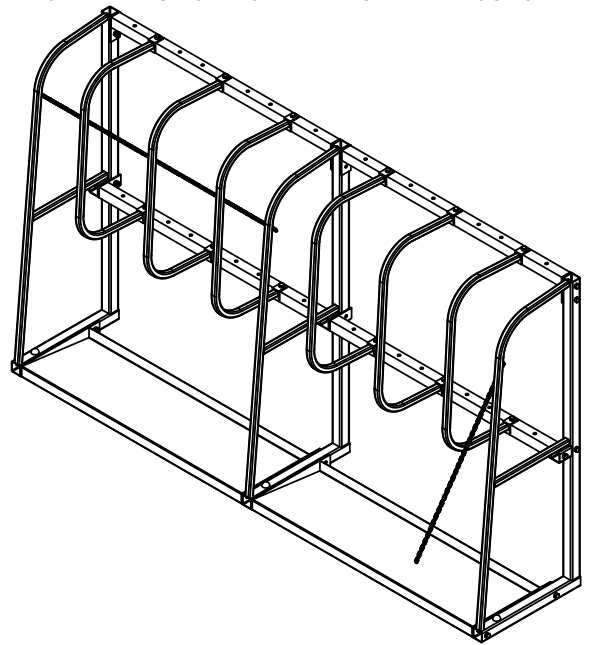
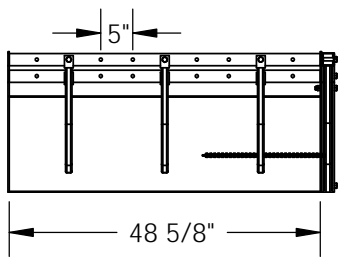


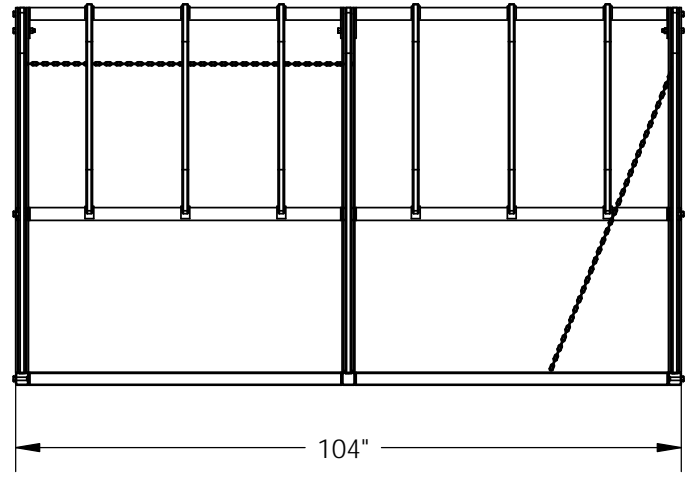
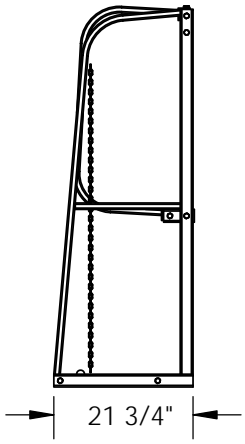
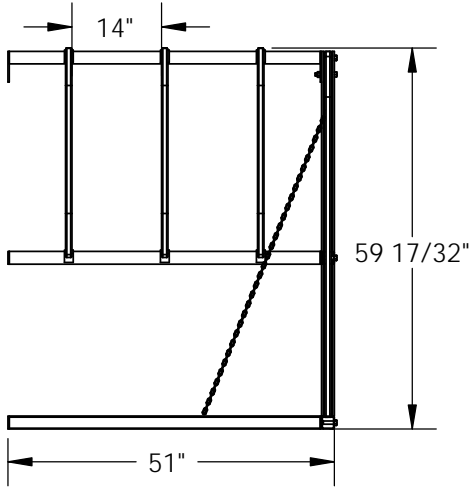
# EXPANDABLE VERTICAL BAR RACK (EXTENTION) - EVR-59-EXT

APPROX WEIGHT: 97.12 lbs.  
 DOES NOT INCLUDE WEIGHT OF POWER OR PACKAGING!!!

\*\*\*ANY ADDITIONS, DELETIONS, OR OMISSIONS MUST BE CORRECTED ON THIS DRAWING AS THIS DRAWING WILL BE CONSIDERED ALL INCLUSIVE\*\*\*



EXTENSION RACK SHOWN WITH STARTER RACK



DIMENSION TOLERANCE: +/- 1/2"

FOR INTERNAL USE ONLY	
PROJECT SIGN OFF	
SALES	
ENG.	
FAB.	
POWER	

ALL GRAPHICS PROVIDED ARE FOR REFERENCE ONLY. IF CERTAIN DIMENSIONS ARE CRITICAL PLEASE VERIFY THOSE DIMENSIONS WITH YOUR SALESPERSON

## STANDARD FEATURES

- MODEL NUMBER IS EVR-59-EXT
- CAPACITY IS: 4,000 LBS.
- OVERALL WIDTH IS: 51"
- USABLE WIDTH IS: 48 5/8"
- OVERALL LENGTH IS: 21 3/4"
- OVERALL HEIGHT IS: 59 17/32"
- OVERALL WIDTH OF JOINED UNITS IS: 104"
- MULTIPLE UNITS MAY BE JOINED IN-LINE OR BACK-TO-BACK
- 3D VIEW SHOWN WITH EVR-59-S STARTER RACK (NOT INCLUDED)

## SPECIAL FEATURES

NONE

<b>APPROVAL</b>	I, THE UNDERSIGNED, AGREE THAT THE PRODUCT AS REPRESENTED SATISFIES DESIGN AND DIMENSION REQUIREMENTS. I ALSO ACKNOWLEDGE MY DUTY TO CONFIRM PRODUCT AND INSTALLATION COMPLIANCE WITH ALL APPLICABLE FEDERAL, STATE AND LOCAL REGULATIONS AND STANDARDS.	
	<b>ALL SPECIAL UNITS ARE NON-RETURNABLE</b>	
	[ ] As drawn      [ ] As marked	
Signed: _____		Date: _____
<b>LEAD TIME WILL START UPON RECEIPT OF SIGNED APPROVAL DRAWING</b>		

DISTRIBUTOR'S NAME:		P.O.#
<b>HOF EQUIPMENT COMPANY</b>		X
<b>PH: 888.990.1150</b>		W.O.#
		X
DRAWN BY: TM	DATE: 6/1/09	SALES: X
REFERENCE: X	SCALE: 1:30	FILE NAME:
QUOTED LEAD TIME: X	QUOTE # X	41-007-017