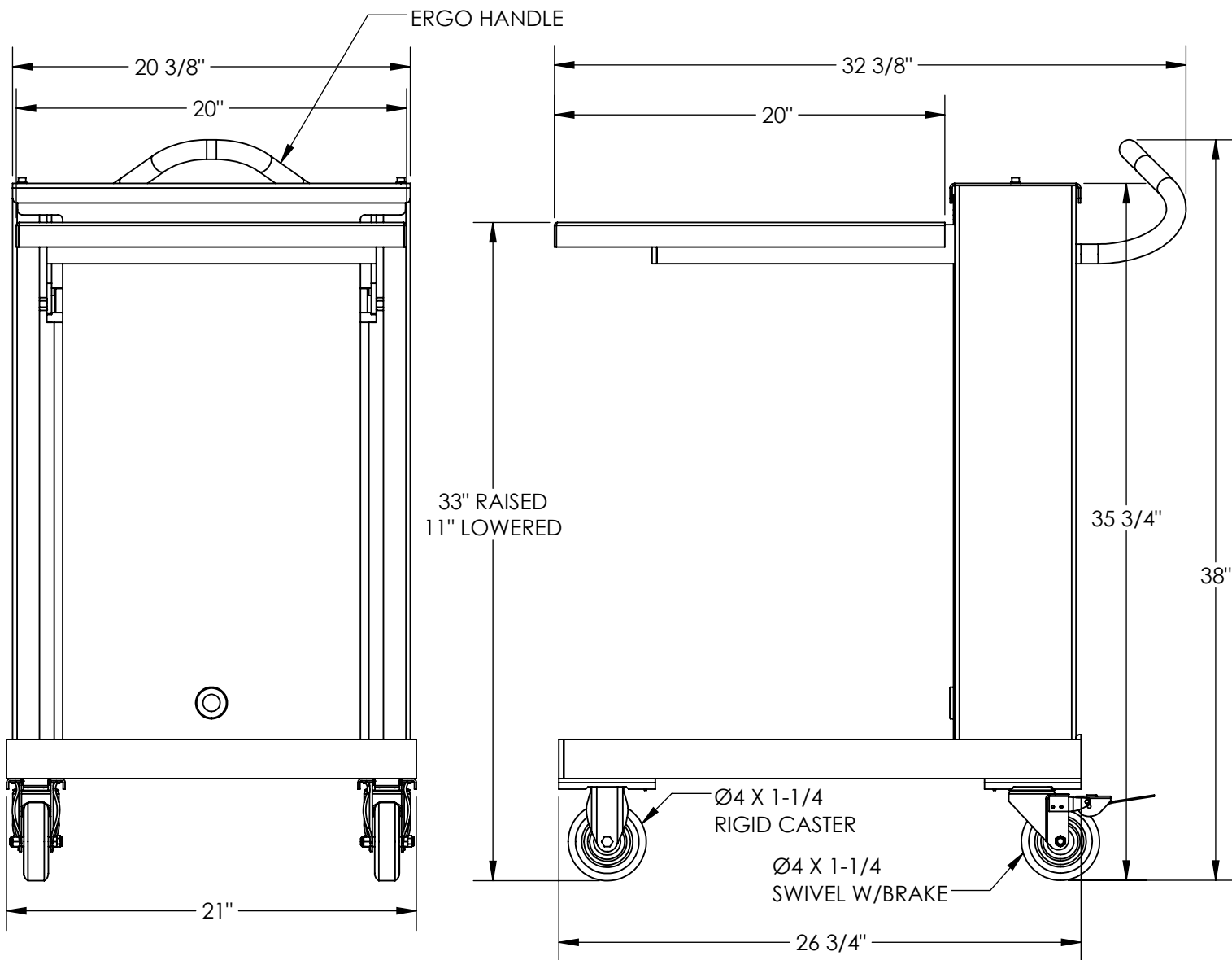


(SELF-ELEVATING SPRING TABLE) - ETS-460

APPROX WEIGHT: 149.15 lbs.
 DOES NOT INCLUDE WEIGHT OF POWER OR PACKAGING!!!

ANY ADDITIONS, DELETIONS, OR OMISSIONS MUST BE CORRECTED ON THIS DRAWING AS THIS DRAWING WILL BE CONSIDERED ALL INCLUSIVE



ALL GRAPHICS PROVIDED ARE FOR REFERENCE ONLY. IF CERTAIN DIMENSIONS ARE CRITICAL PLEASE VERIFY THOSE DIMENSIONS WITH YOUR SALESPERSON

STANDARD FEATURES

- MODEL NUMBER IS ETS-460
- CAPACITY IS 460 LBS
- OVERALL WIDTH IS 21"
- USABLE PLATFORM WIDTH IS 20"
- OVERALL LENGTH IS 32 3/8"
- OVERALL HEIGHT IS 38"
- PLATFORM RAISED HEIGHT: 33"
- PLATFORM LOWERED HEIGHT: 11"
- NUMBER OF SPRINGS: 14 (NOT SHOWN)
- SPRING RATE IS 21 LBS PER INCH
- CASTER: (2) Ø4 X 1 1/4 POLY-ON-POLY RIGID
- (2) Ø4 X 1 1/4 POLY-ON-POLY SWIVEL W/BRAKE
- DURABLE LIQUID PAINT BLUE FINISH

SPECIAL FEATURES

NONE

FOR INTERNAL USE ONLY PROJECT SIGN OFF	
SALES	
ENG.	
FAB.	
POWER	

DIMENSION TOLERANCE ± 1/4"

I, THE UNDERSIGNED, AGREE THAT THE PRODUCT AS REPRESENTED SATISFIES DESIGN AND DIMENSION REQUIREMENTS. I ALSO ACKNOWLEDGE MY DUTY TO CONFIRM PRODUCT AND INSTALLATION COMPLIANCE WITH ALL APPLICABLE FEDERAL, STATE AND LOCAL REGULATIONS AND STANDARDS.

UNITS REQUIRING APPROVAL DRAWINGS OR MODIFIED ARE NON-RETURNABLE

[] As drawn [] As marked

Signed: _____ Date: _____

Printed Name: _____

LEAD TIME WILL START UPON RECEIPT OF SIGNED APPROVAL DRAWING

DISTRIBUTOR'S NAME:		P.O.#
HOF EQUIPMENT COMPANY		X
PH: 888-990-1150		W.O.#
DRAWN BY: RLH		X
DATE: 9/13/18	SALES: X	
REFERENCE: X	SCALE: 1:8	FILE NAME:
QUOTED LEAD TIME: X	QUOTE # X	21-007-101