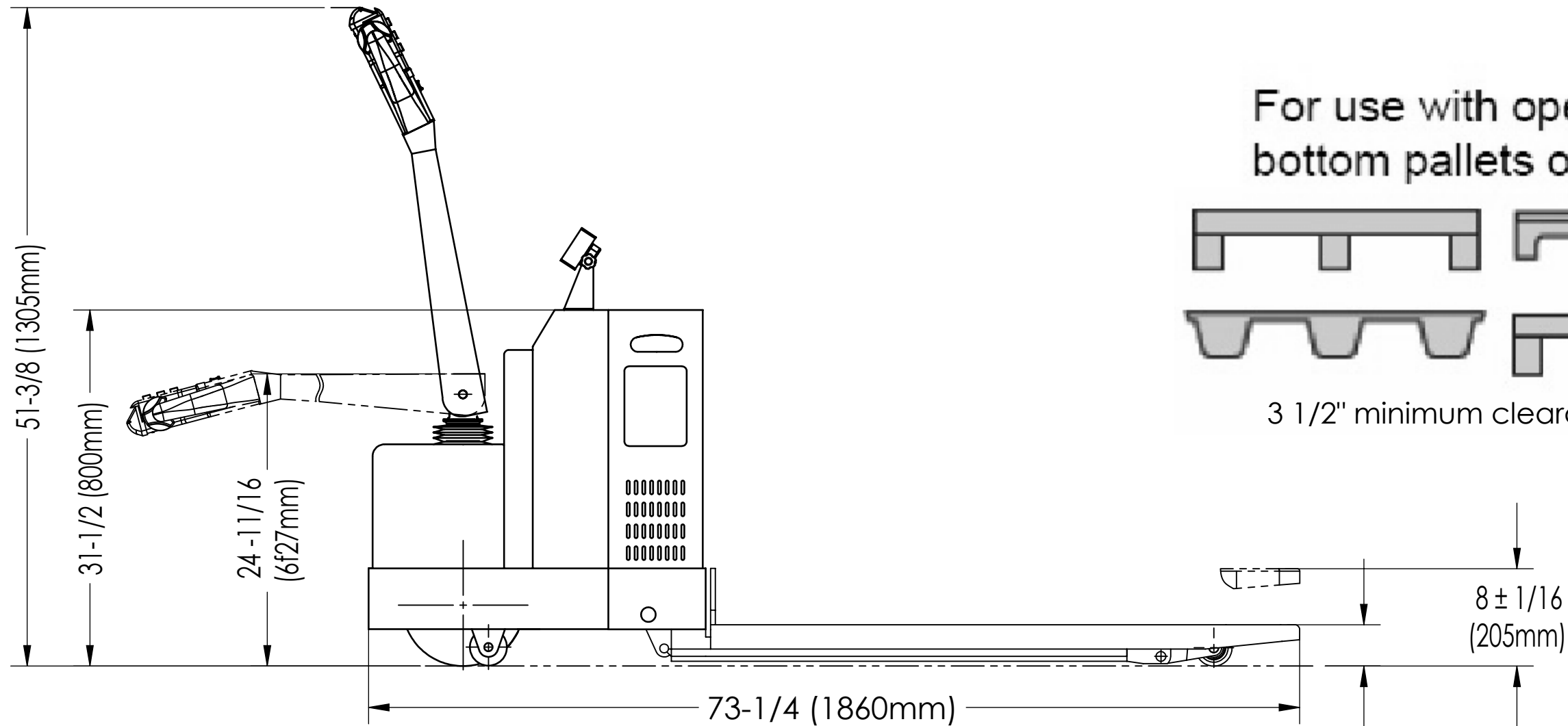


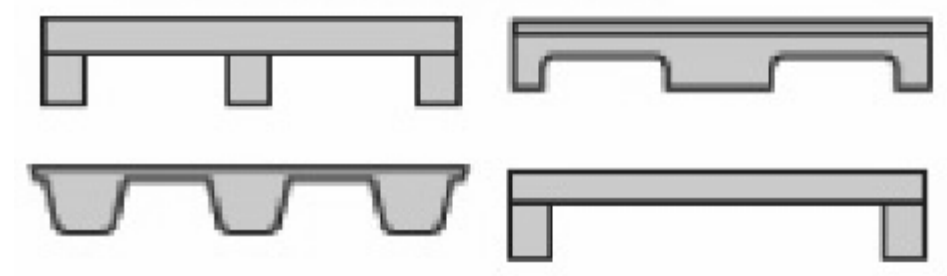
ELECTRIC PALLET TRUCK WITH SCALE- EPT-2748-45-SCL

APPROX. WEIGHT: 1056 LBS.

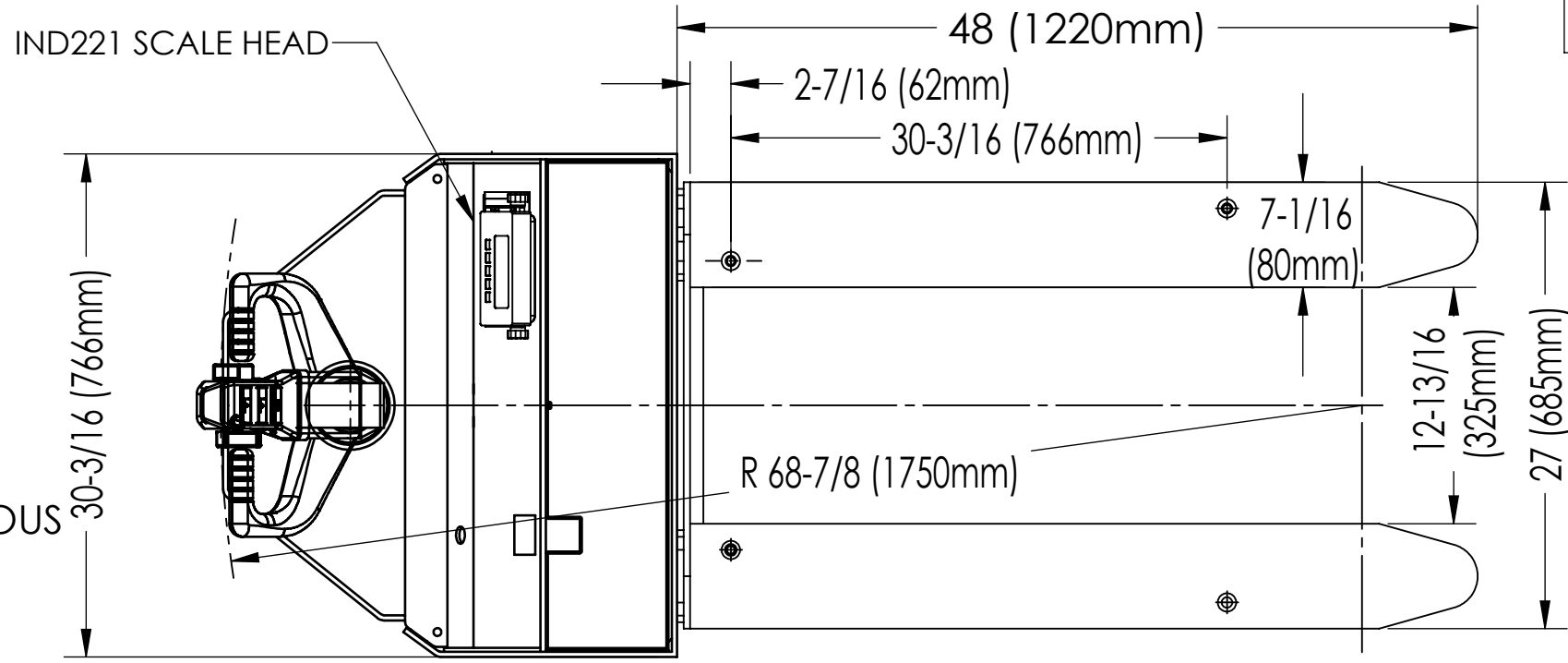
*** ANY ADDITIONS, DELETIONS, OR OMISSIONS MUST BE CORRECTED ON THIS DRAWING AS THIS DRAWING WILL BE CONSIDERED ALL INCLUSIVE ***
ALL GRAPHICS PROVIDED ARE FOR REFERENCE ONLY. IF CERTAIN DIMENSIONS ARE CRITICAL PLEASE VERIFY THOSE DIMENSIONS WITH YOUR SALESPERSON



For use with open bottom pallets only



3 1/2" minimum clearance required



FOR INTERNAL USE ONLY PROJECT SIGN OFF	
SALES	
ENG.	
FAB.	
POWER	

I, THE UNDERSIGNED, AGREE THAT THE PRODUCT AS REPRESENTED SATISFIES DESIGN AND DIMENSION REQUIREMENTS. I ALSO ACKNOWLEDGE MY DUTY TO CONFIRM PRODUCT AND INSTALLATION COMPLIANCE WITH ALL APPLICABLE FEDERAL, STATE AND LOCAL REGULATIONS AND STANDARDS.

UNITS REQUIRING APPROVAL DRAWINGS OR MODIFIED ARE NON-RETURNABLE
[] As drawn [] As marked

Signed: _____ Date: _____
Printed Name: _____
LEAD TIME WILL START UPON RECEIPT OF SIGNED APPROVAL DRAWING

APPROVAL

STANDARD FEATURES
MODEL # EPT-2748-45-SCL
CAPACITY: 4,500 LBS. CONTINUOUS
LIFT HEIGHT: 8 ± 1/16"
LOWERED HEIGHT: 3 3/8 ± 1/16"
DRIVE WHEEL: Ø10 X 3 1/8"
LOAD ROLLER: Ø2 3/4 X 2.9"
TOUGH BAKED IN POWDER COATED
BLACK & YELLOW FINISH

DISTRIBUTOR'S NAME: HOF EQUIPMENT COMPANY PH: 888-990-1150		P.O.# X
DRAWN BY: RLH		W.O.# X
DATE: 1/3/2019	SALES: X	
REFERENCE: X	SCALE: NA	FILE NAME:
QUOTED LEAD TIME: X	QUOTE # X	EPT-2748-45-SCL