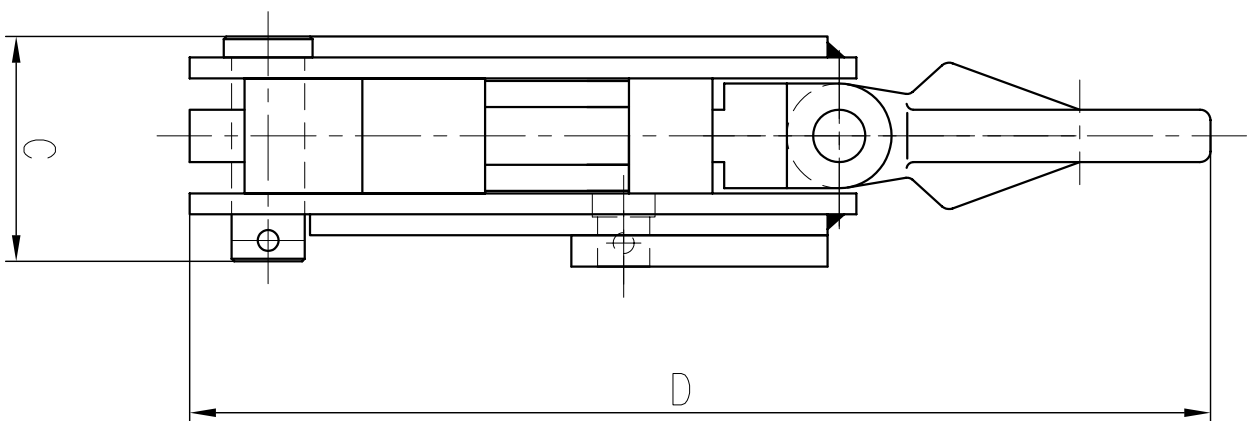
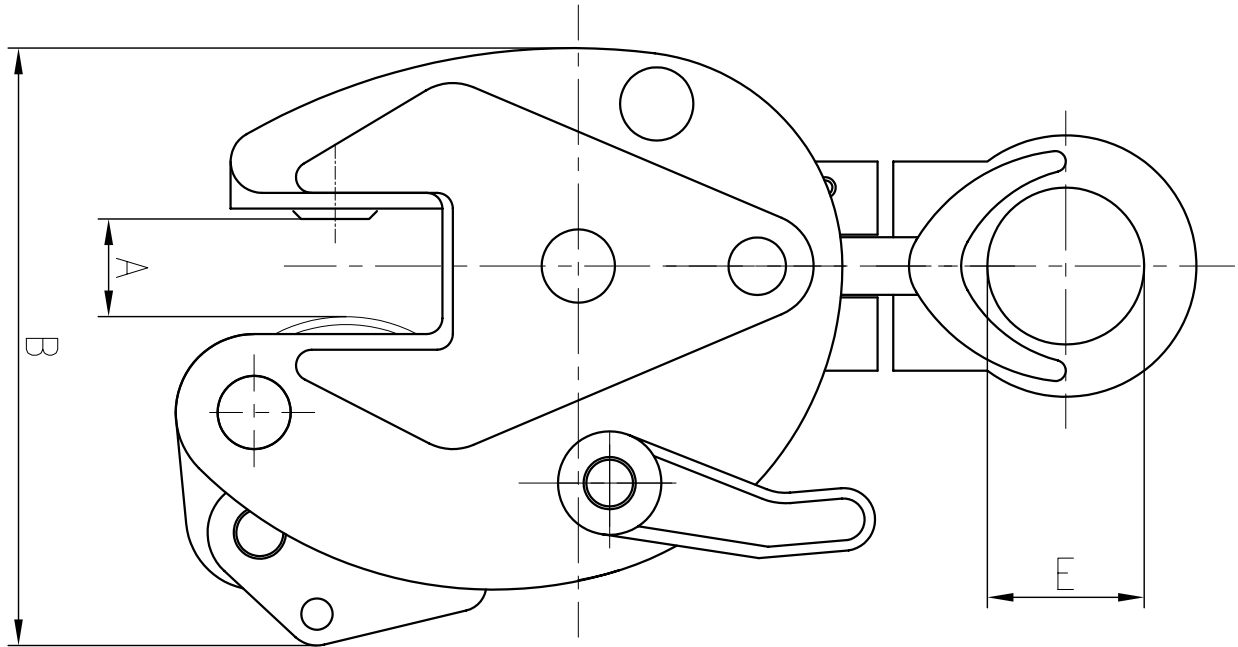


EPC VERTICAL PLATE CLAMP



| Model # | Capacity | A | B | C | D | E |
|---------|-----------|----------|-------|-------|--------|-------|
| EPC-10 | 1,000 lbs | 0-0.60" | 4.13" | 1.73" | 8.07" | 1.18" |
| EPC-20 | 2,000 lbs | 0-0.787" | 6.89" | 2.56" | 13.78" | 2.68" |
| EPC-40 | 4,000 lbs | 0-1" | 6.89" | 2.56" | 14.75" | 2.68" |
| EPC-80 | 6,600 lbs | 0-1.18" | 9.13" | 3.54" | 16.75" | 2.95" |