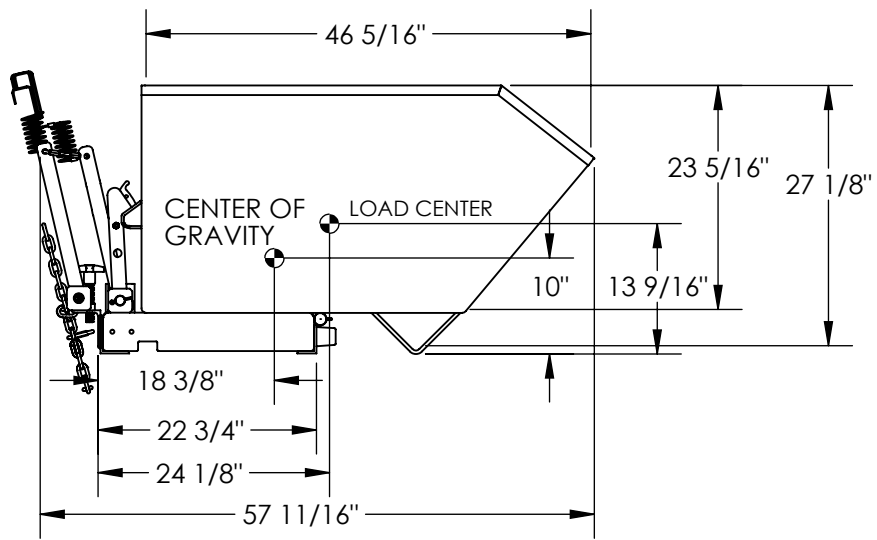
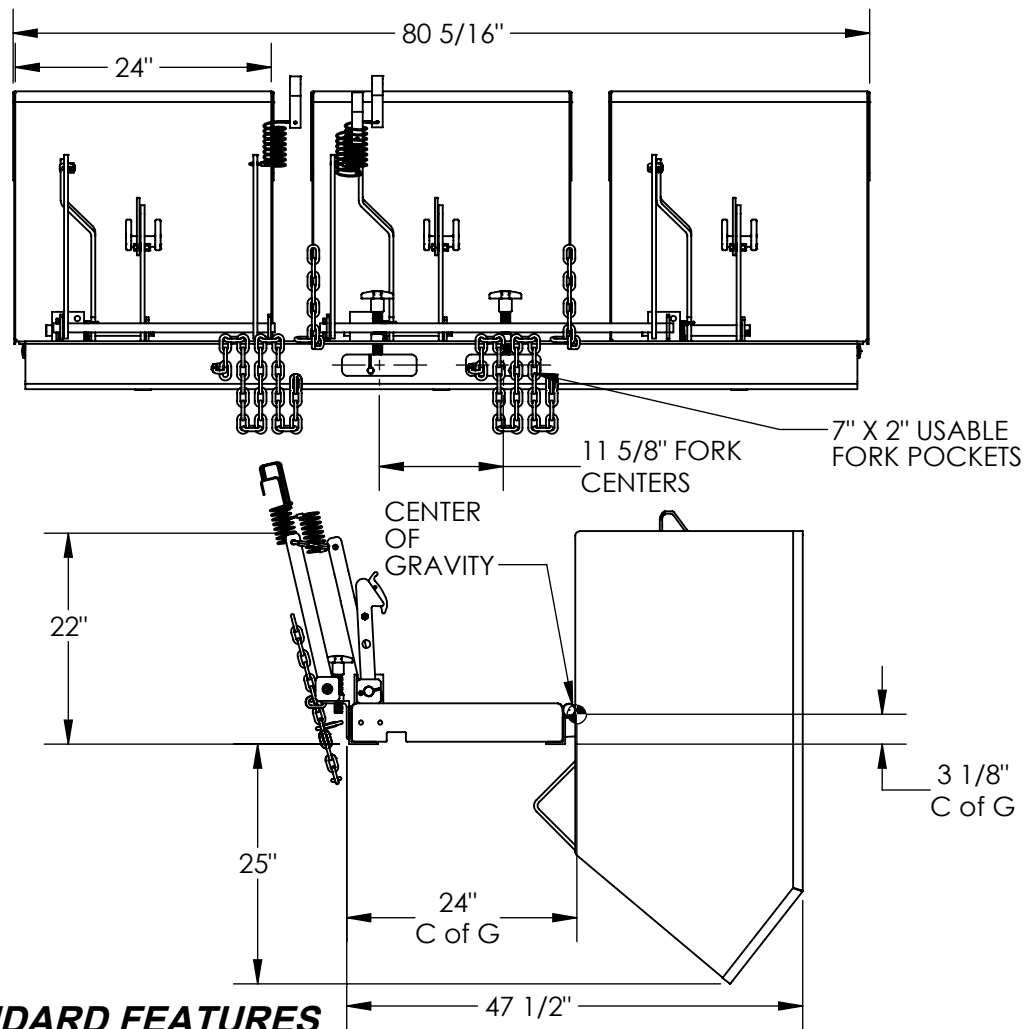


TRIPLE-BIN RECYCLING HOPPER - ENVIR-BIN

APPROX WEIGHT: 735.28 lbs.
 DOES NOT INCLUDE WEIGHT OF POWER OR PACKAGING!!!

*** ANY ADDITIONS, DELETIONS, OR OMISSIONS MUST BE CORRECTED ON THIS DRAWING AS THIS DRAWING WILL BE CONSIDERED ALL INCLUSIVE ***

ALL GRAPHICS PROVIDED ARE FOR REFERENCE ONLY. IF CERTAIN DIMENSIONS ARE CRITICAL PLEASE VERIFY THOSE DIMENSIONS WITH YOUR SALESPERSON



APPROX. WEIGHT/ LOST LOAD= 736 LBS. (APPROX)
 MINIMUM EFFECTIVE THICKNESS= FORK LENGTH MINUS 22 1/4"
 NEVER EXCEED LOAD CENTER RATING PER FORK TRUCK MANUFACTURER'S GUIDELINES.
 DO NOT USE THIS FORK TRUCK ATTACHMENT IF LOAD WILL EXCEED FORK TRUCK MANUFACTURER'S LOAD CENTER RATING.

DIMENSION TOLERANCE ± 1/4"

STANDARD FEATURES

- MODEL NUMBER IS: ENVIR-BIN
- OVERALL WIDTH: 80 5/16"
- OVERALL LENGTH: 57 11/16"
- OVERALL HEIGHT: 27 1/8"
- INDIVIDUAL BIN INSIDE WIDTH: 24"
- INDIVIDUAL BIN INSIDE LENGTH: 46 5/16"
- INDIVIDUAL BIN INSIDE HEIGHT: 23 5/16"
- CAPACITY: 2,000 LBS.TOTAL
- INDIVIDUAL BIN VOLUME: 1/2 CU. YARD.
- BINS UNIQUELY IDENTIFIED BY 3 DIFFERENT COLORS
- TOUGH BAKED IN POWDER COATED
- GREEN, RED, AND BLUE FINISH

SPECIAL FEATURES
 NONE

A P P R O V A L

I, THE UNDERSIGNED, AGREE THAT THE PRODUCT AS REPRESENTED SATISFIES DESIGN AND DIMENSION REQUIREMENTS. I ALSO ACKNOWLEDGE MY DUTY TO CONFIRM PRODUCT AND INSTALLATION COMPLIANCE WITH ALL APPLICABLE FEDERAL, STATE AND LOCAL REGULATIONS AND STANDARDS.

UNITS REQUIRING APPROVAL DRAWINGS OR MODIFIED ARE NON-RETURNABLE

[] As drawn [] As marked

Signed: _____ Date: _____

Printed Name: _____

LEAD TIME WILL START UPON RECEIPT OF SIGNED APPROVAL DRAWING

DISTRIBUTOR'S NAME:		HOF EQUIPMENT COMPANY		P.O.#	X
		PH: 888-990-1150		W.O.#	X
DRAWN BY:	LG	DATE:	07/08/11	SALES:	X
REFERENCE:	X	SCALE:	1:20	FILE NAME:	
QUOTED LEAD TIME:	X	QUOTE #	X		37-007-092