

LOW PROFILE "U" TYPE ELECTRIC LIFT TABLE, EHU-2

**SPECIAL UNITS ARE NON-RETURNABLE
*AVAILABLE AT ADDITIONAL COSTS

Deck tolerances +/- 1/2"
Table height tolerances +/- 1/2"

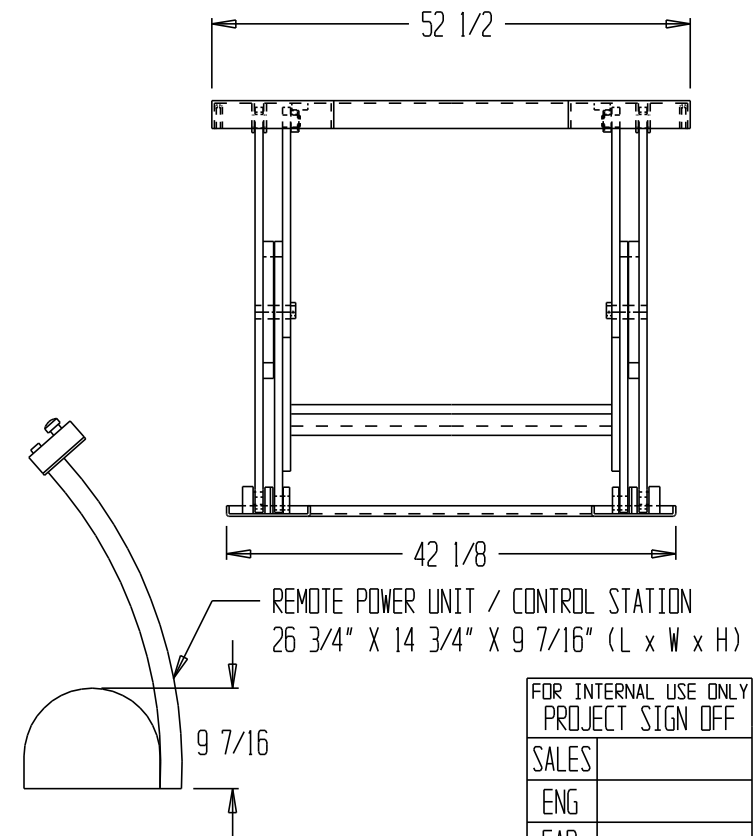
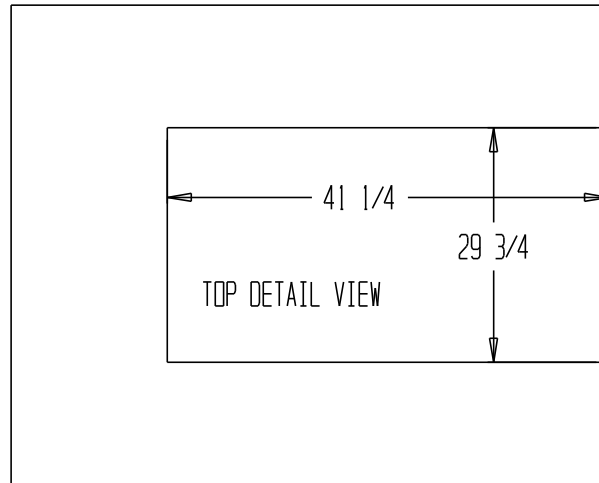
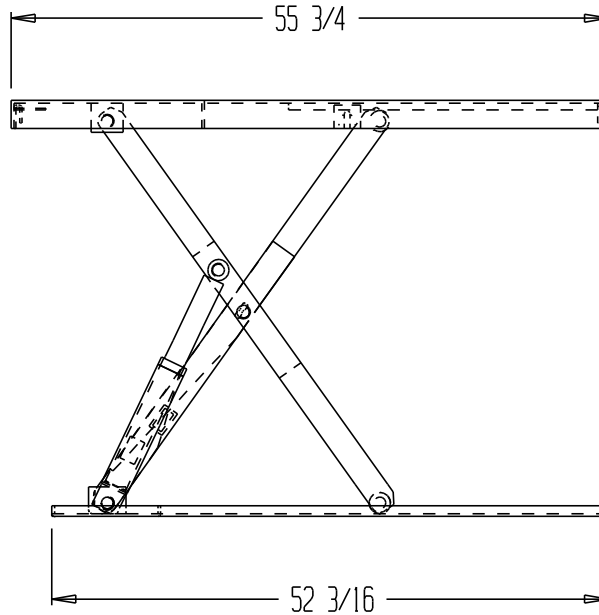
PRODUCTION WILL START UPON
RECEIPT OF SIGNED APPROVAL
DRAWING

STANDARD FEATURES

MODEL NUMBER: EHU-2
CAPACITY: 2,000 LBS
PLATFORM WIDTH: 52 1/2"
PLATFORM LENGTH: 56"
PLATFORM RAISED HEIGHT: 33 7/8"
PLATFORM LOWERED HEIGHT: 3 3/8"
STANDARD REMOTE POWER UNIT / CONTROL STATION
RAISE TIME (LOADED) = 15 SECONDS
LOWER TIME (LOADED) = 32 SECONDS
115V AC SINGLE PHASE (ONLY)
INCLUDES SAFETY MAINTENANCE PROPS
WHEN PROPS ARE ENGAGED, OVERALL HEIGHT: 28"

SPECIAL FEATURES

NONE



| | |
|-----------------------|--|
| FOR INTERNAL USE ONLY | |
| PROJECT SIGN OFF | |
| SALES | |
| ENG | |
| FAB. | |
| POWER | |

APPROVAL

I, THE UNDERSIGNED, AGREE THAT THE PRODUCT AS REPRESENTED SATISFIES DESIGN & DIMENSION REQUIREMENTS. I ALSO ACKNOWLEDGE MY DUTY TO CONFIRM PRODUCT & INSTALLATION COMPLIANCE WITH ALL APPLICABLE FEDERAL, STATE AND LOCAL REGULATIONS & STANDARDS.
ANY MODIFIED UNITS ARE NON-RETURNABLE
[] As drawn [] As marked

Signed: _____ Date: _____
Printed Name: _____
LEAD TIME WILL START UPON RECEIPT OF SIGNED APPROVAL DRAWING

Any additions, deletions or omissions must be corrected on this drawing, as this drawing will be considered all inclusive.

All graphics provided are for reference only. If certain dimensions are critical please verify those dimensions with your salesperson

| | | | |
|-----------------------------|--------------|------------------|--|
| DISTRIBUTOR'S NAME: | | P.O.#: - | |
| VESTIL MANUFACTURING | | W.O.#: - | |
| DRAWN BY: SR | DATE: 6-7-07 | SALES: - | |
| REFERENCE: - | SCALE: 1:18 | DRWG./FILE NAME: | |
| QUOTED LEADTIME: - | QUOTE #: - | EHU-2 | |