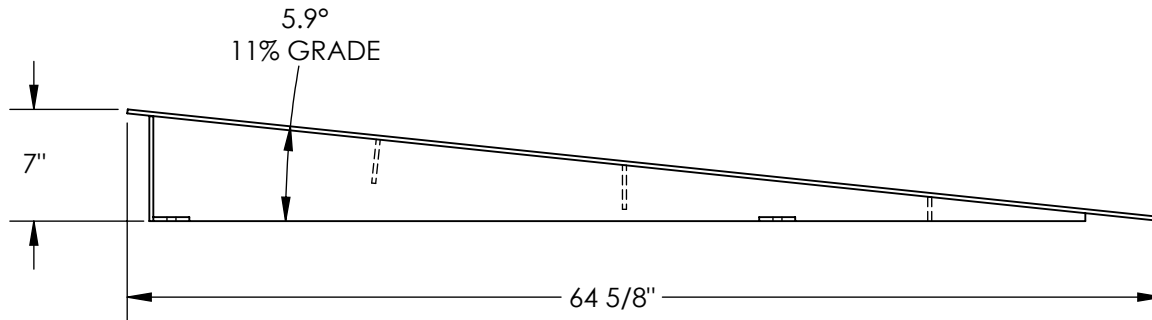
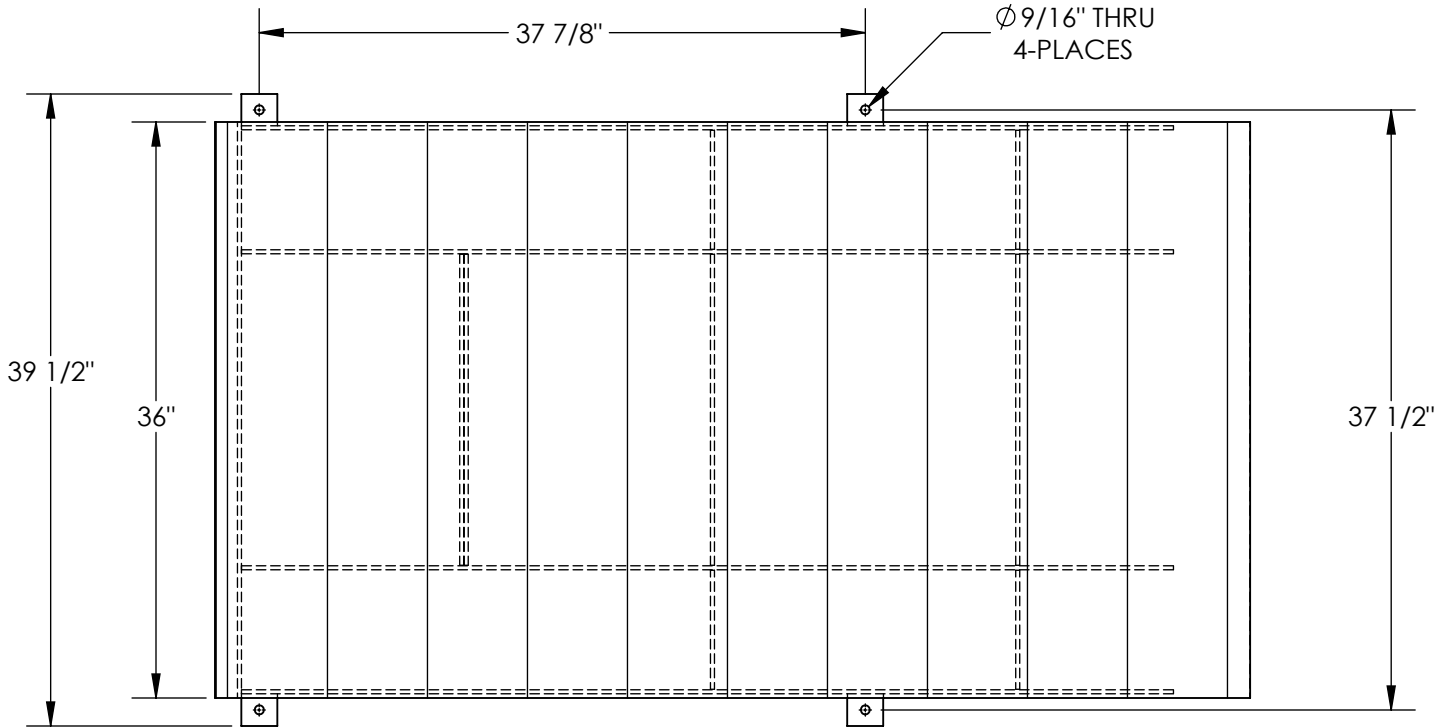


# EHLT APPROACH RAMP - EHLT-AR-3665-7

APPROX WEIGHT: 256.24 lbs.  
DOES NOT INCLUDE WEIGHT OF POWER OR PACKAGING!!!

\*\*\*ANY ADDITIONS, DELETIONS, OR OMISSIONS MUST BE CORRECTED ON THIS DRAWING AS THIS DRAWING WILL BE CONSIDERED ALL INCLUSIVE\*\*\*



ALL GRAPHICS PROVIDED ARE FOR REFERENCE ONLY. IF CERTAIN DIMENSIONS ARE CRITICAL PLEASE VERIFY THOSE DIMENSIONS WITH YOUR SALESPERSON

DIMENSION TOLERANCE  $\pm 1/4"$

## STANDARD FEATURES

- MODEL NUMBER IS EHLT-AR-3665-7
- OVERALL WIDTH IS 39 1/2"
- USABLE WIDTH IS 36"
- OVERALL LENGTH IS 64 5/8"
- OVERALL HEIGHT IS 7"
- MAX CAPACITY IS 4,000LBS
- RISE 7"
- SLOPE 5.9° APPROX. 11% GRADE
- DURABLE LIQUID PAINT BLUE FINISH

## SPECIAL FEATURES

NONE

APPROVAL

I, THE UNDERSIGNED, AGREE THAT THE PRODUCT AS REPRESENTED SATISFIES DESIGN AND DIMENSION REQUIREMENTS. I ALSO ACKNOWLEDGE MY DUTY TO CONFIRM PRODUCT AND INSTALLATION COMPLIANCE WITH ALL APPLICABLE FEDERAL, STATE AND LOCAL REGULATIONS AND STANDARDS.

**UNITS REQUIRING APPROVAL DRAWINGS OR MODIFIED ARE NON-RETURNABLE**

As drawn       As marked

Signed: \_\_\_\_\_ Date: \_\_\_\_\_

Printed Name: \_\_\_\_\_

LEAD TIME WILL START UPON RECEIPT OF SIGNED APPROVAL DRAWING

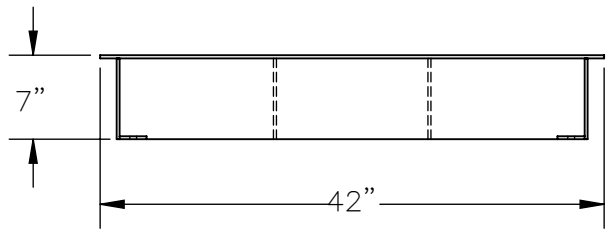
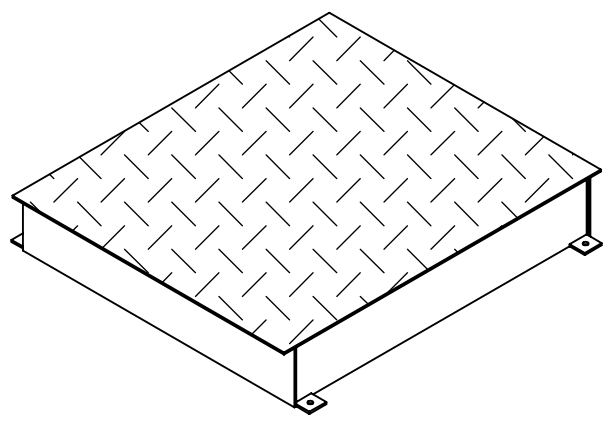
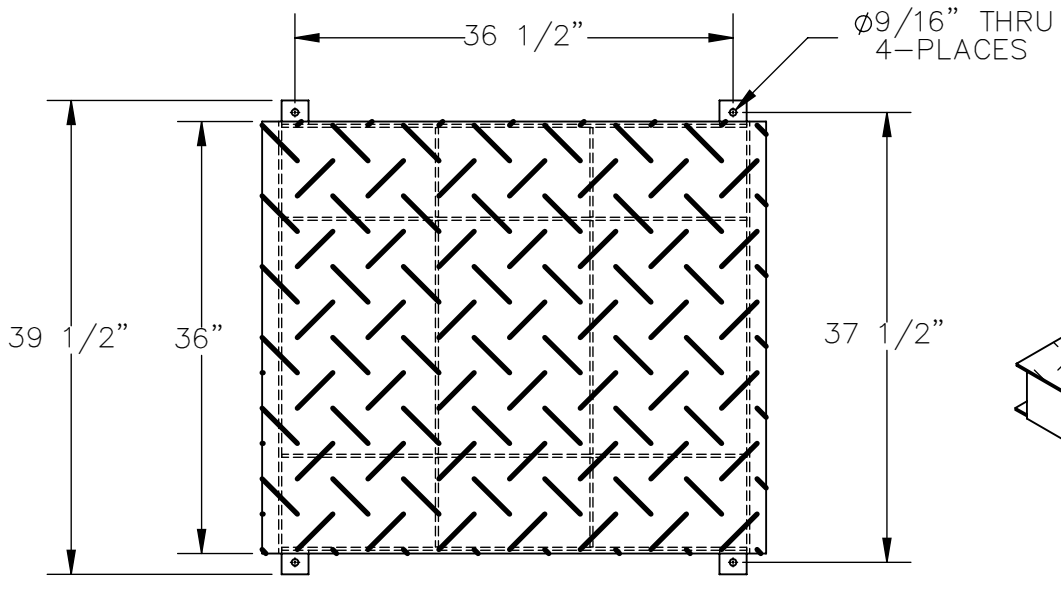
DISTRIBUTOR'S NAME: HOF Equipment Company		P.O.# X
PH: 888-990-1150		W.O.# X
DRAWN BY: C.HARKER	DATE: 9/5/2017	SALES: X
REFERENCE: X	SCALE: 1:12	FILE NAME:
QUOTED LEAD TIME: X	QUOTE # X	24-007-980

IT IS THE END-USER'S RESPONSIBILITY TO DETERMINE IF THE ABOVE RAMP SLOPE WILL FUNCTION WITH THEIR PALLET TRUCK TO LOAD & UNLOAD PRODUCT ONTO THE EHLT

# EHLT APPROACH RAMP SPACER - EHLT-AR-RS-3642-7

APPROX WEIGHT: 249.88 lbs.  
 DOES NOT INCLUDE WEIGHT OF POWER OR PACKAGING!!!

\*\*\*ANY ADDITIONS, DELETIONS, OR OMISSIONS MUST BE CORRECTED ON THIS DRAWING AS THIS DRAWING WILL BE CONSIDERED ALL INCLUSIVE\*\*\*



ALL GRAPHICS PROVIDED ARE FOR REFERENCE ONLY. IF CERTAIN DIMENSIONS ARE CRITICAL PLEASE VERIFY THOSE DIMENSIONS WITH YOUR SALESPERSON

DIMENSION TOLERANCE ±1/4"

## STANDARD FEATURES

- MODEL NUMBER IS EHLT-AR-RS-3642-7
- OVERALL WIDTH IS 39 1/2"
- USABLE WIDTH IS 36"
- OVERALL LENGTH IS 42"
- OVERALL HEIGHT IS 7"
- MAX CAPACITY IS 4,000LBS
- RISE 7"

## SPECIAL FEATURES

NONE

IT IS THE END-USER'S RESPONSIBILITY TO DETERMINE IF THE ABOVE RAMP SLOPE WILL FUNCTION WITH THEIR PALLET TRUCK TO LOAD & UNLOAD PRODUCT ONTO THE EHLT

<b>APPROVAL</b>	I, THE UNDERSIGNED, AGREE THAT THE PRODUCT AS REPRESENTED SATISFIES DESIGN AND DIMENSION REQUIREMENTS. I ALSO ACKNOWLEDGE MY DUTY TO CONFIRM PRODUCT AND INSTALLATION COMPLIANCE WITH ALL APPLICABLE FEDERAL, STATE AND LOCAL REGULATIONS AND STANDARDS.	
	<b>ANY MODIFIED UNITS ARE NON-RETURNABLE</b>	
	[ ] As drawn      [ ] As marked	
	Signed: _____	Date: _____
Printed Name: _____		
<b>LEAD TIME WILL START UPON RECEIPT OF SIGNED APPROVAL DRAWING</b>		

FOR INTERNAL USE ONLY PROJECT SIGN OFF		DISTRIBUTOR'S NAME: <b>HOF Equipment Company</b>		P.O.# X
		PH: 888-990-1150		W.O.# X
SALES		DRAWN BY: BCN	DATE: 10/18/2018	SALES: X
ENG.		REFERENCE: X	SCALE: 1:16	FILE NAME:
FAB.		QUOTED LEAD TIME: X	QUOTE # X	24-007-981
POWER				