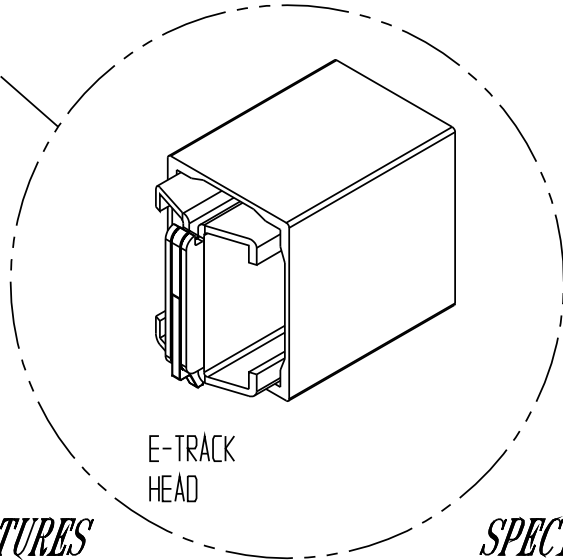
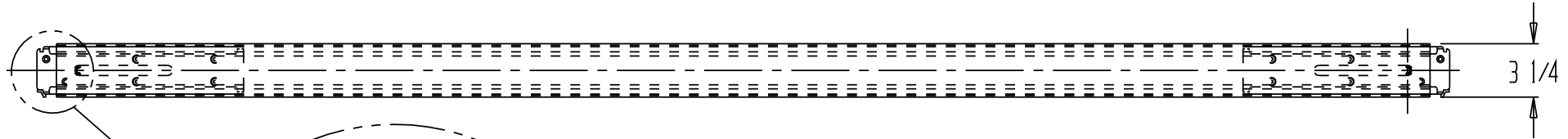
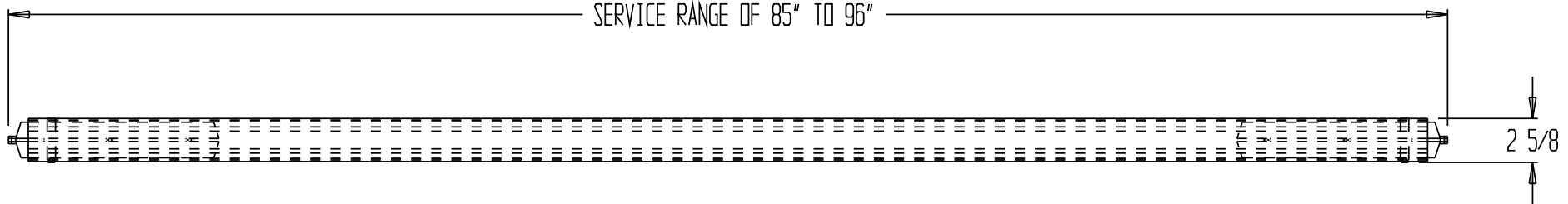


ONE PIECE ALUMINUM (E-TRACK) CARGO BAR EB-96



DIMENSION TOLERANCE +/- 1/2"

STANDARD FEATURES

MODEL NUMBER: EB-96
 LOAD RATING 2000 LBS
 ONE PIECE SOLID CONSTRUCTION
 TUBING MEASURES 2 5/8" x 3 1/4"
 SERVICE RANGE OF 85" TO 96"
 STANDARD WITH SLIDING E-TRACK HEAD
 EACH END TELESCOPES 7"
 WEIGHT IS 19 LBS

SPECIAL FEATURES

NONE

FOR INTERNAL USE ONLY PROJECT SIGN OFF	
SALES	
ENG	
FAB.	
POWER	

APPROVAL	I, THE UNDERSIGNED, AGREE THAT THE PRODUCT AS REPRESENTED SATISFIES DESIGN & DIMENSION REQUIREMENTS. I ALSO ACKNOWLEDGE MY DUTY TO CONFIRM PRODUCT & INSTALLATION COMPLIANCE WITH ALL APPLICABLE FEDERAL, STATE AND LOCAL REGULATIONS & STANDARDS.
	ALL SPECIAL UNITS ARE NON-RETURNABLE
	[] As drawn [] As marked
	Signed: _____ Date: _____ LEAD TIME WILL START UPON RECEIPT OF SIGNED APPROVAL DRAWING

DISTRIBUTOR'S NAME: HOF EQUIPMENT COMPANY		P.O.#: -
PH: 888-990-1150		W.O.#: -
DRAWN BY: K. YOUNG	DATE: 3/11/04	SALES: -
REFERENCE: -	SCALE: -	DRWG./FILE NAME:
QUOTED LEADTIME: -	QUOTE #: -	44-007-040

**SPECIAL UNITS ARE NON-RETURNABLE
 *AVAILABLE AT ADDITIONAL COSTS