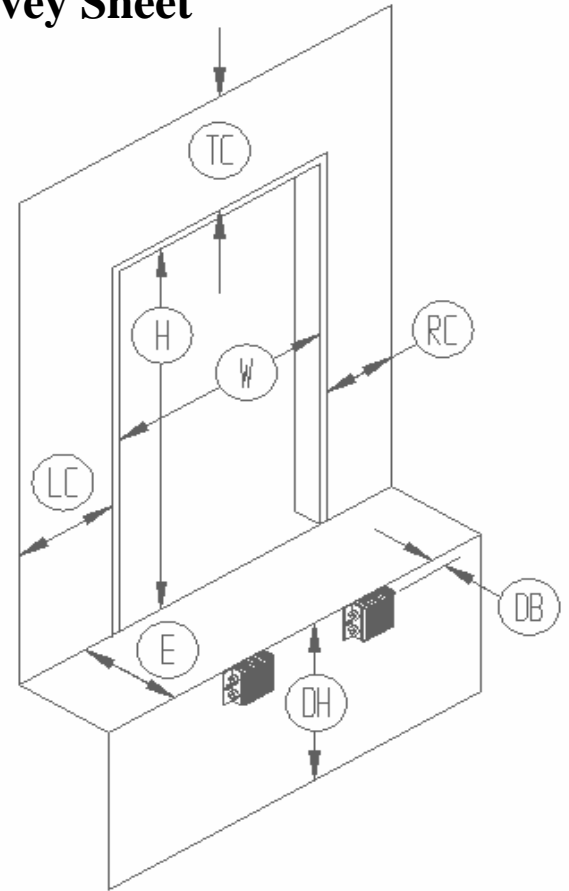


Dock Seal & Dock Shelter Survey Sheet

Please email completed survey to info@hofequipment.com or fax to 773-530-1872

Company Name: _____
 Contact Name: _____
 Phone Number: _____
 Email: _____



General Information

(W) Width of Opening _____ (inches)
 (H) Height of Opening _____ (inches)
 (LC) Left Clearance _____ (inches)
 (RC) Right Clearance _____ (inches)
 (TC) Top Clearance _____ (inches)
 (E) Extension from Building _____ (inches)
 (DB) Dock Bumper Projection _____ (inches)
 (DH) Dock Height _____ (inches)

*Is this door next to another door that requires a Dock Seal/Shelter? (Yes) (No)

*Will / does this door have a face mounted Edge -O-Dock? (Yes) (No)

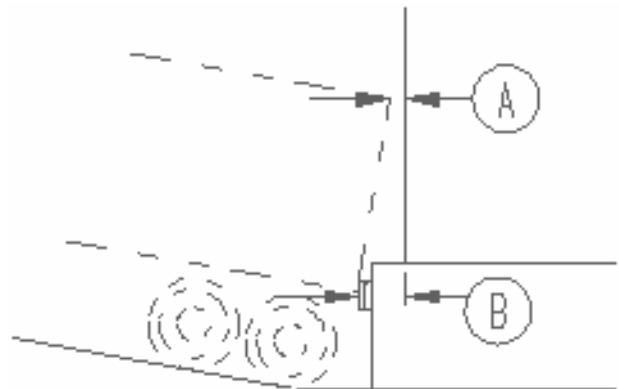
Special Size Trailers

Highest Trailer _____ (inches)
 Lowest Trailer _____ (inches)
 Widest Trailer _____ (inches)
 Narrowest Trailer _____ (inches)

Buildings with Sloped Dock Approach

(A) Distance between trailer and building at point A _____ (inches)

(B) Distance between trailer and building at point B _____ (inches)



Please fax completed survey to HoF Equipment at 773-530-1872