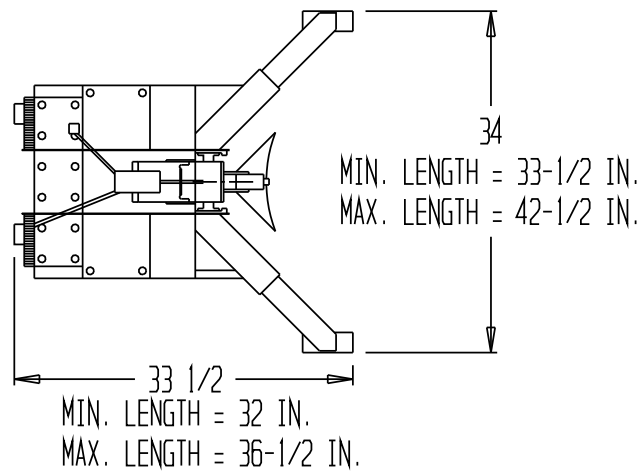
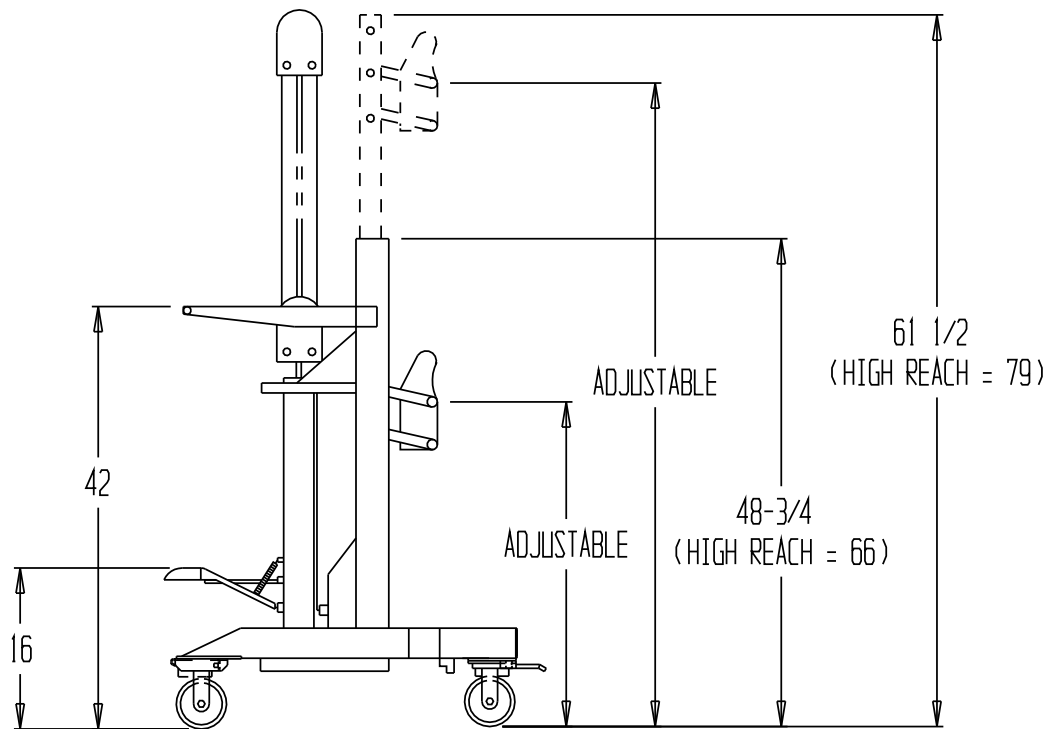


PORTABLE DRUM JACK - DRUM-55-FSP



PRODUCTION WILL START UPON
RECEIPT OF SIGNED APPROVAL
DRAWING

STANDARD FEATURES

PORTABLE DRUM JACK MODEL DRUM-55-FSP
 OVERALL LENGTH IS 36-1/2 INCHES
 OVERALL WIDTH IS 42-1/2 INCHES
 DRUM LIFT HEIGHT IS 18 INCHES
 CAPACITY IS 800 LBS.
 HANDLES 55 GALLON STEEL, POLY, OR FIBER DRUMS

APPROVAL

I, the undersigned, hereby approve this print
 As drawn As marked
 This includes my approval of design & dimensions.
 Signed: _____
 Date: _____

**SPECIAL UNITS ARE NON-RETURNABLE
 *AVAILABLE AT ADDITIONAL COSTS

DISTRIBUTOR'S NAME: HOF Equipment Company PH: 888-990-1150		P.O.#: _
DRAWN BY: _		W.O.#: _
DATE: _	SALES: _	
REFERENCE: _	DRWG./FILE NAME: 30-007-036	
scale: 1:20		