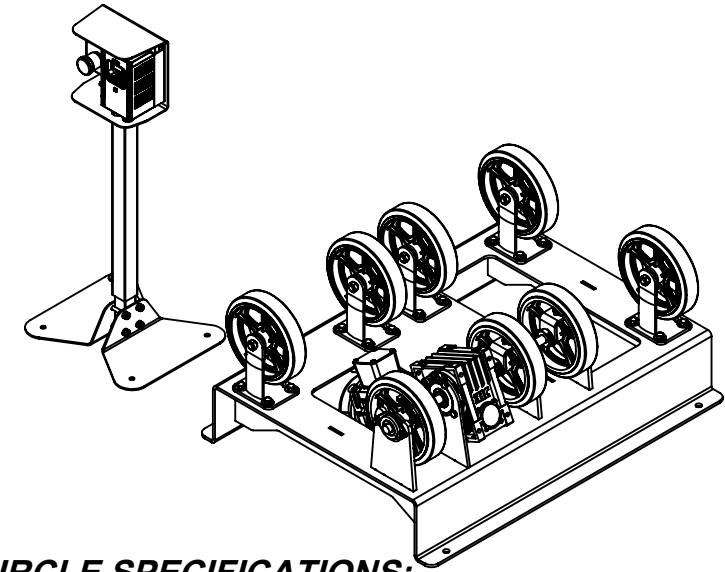
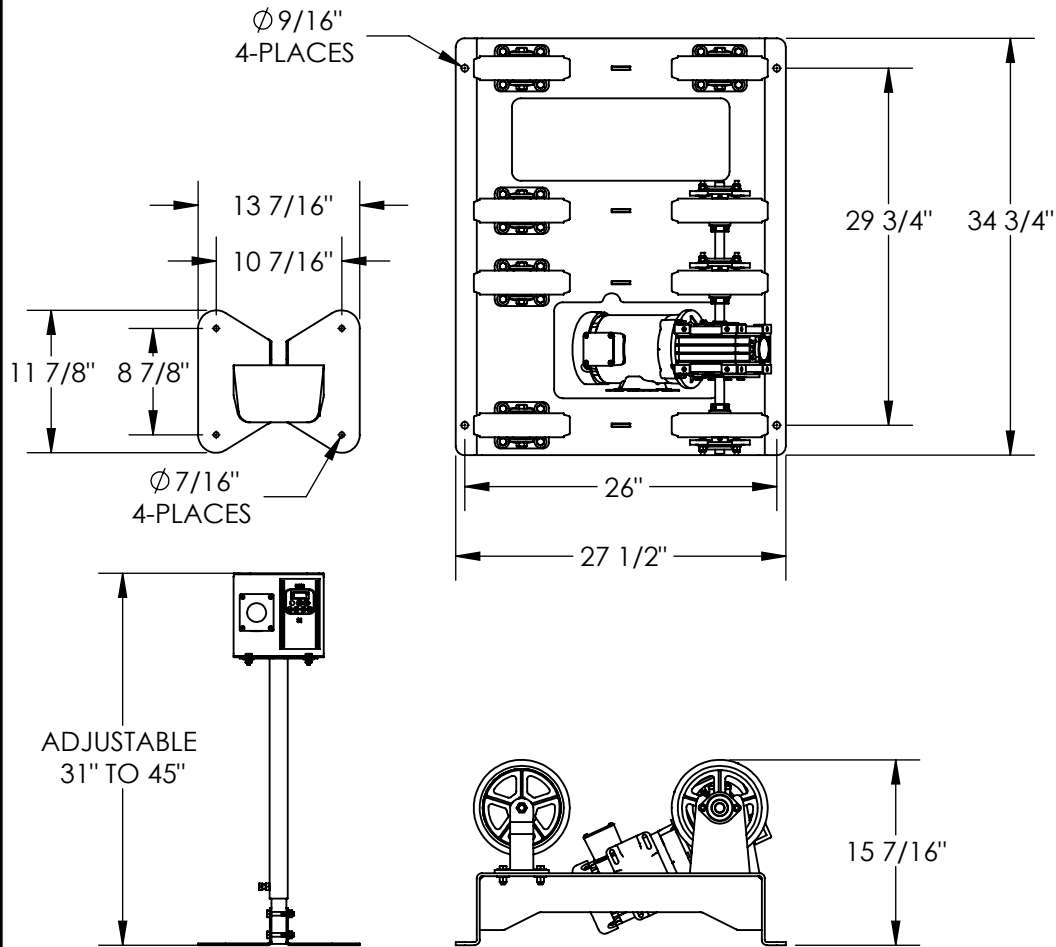


HORIZONTAL DRUM ROLLER - DRM-H-3055

APPROX WEIGHT: 323 lbs.
DOES NOT INCLUDE WEIGHT OF POWER OR PACKAGING!!!

*** ANY ADDITIONS, DELETIONS, OR OMISSIONS MUST BE CORRECTED ON THIS DRAWING AS THIS DRAWING WILL BE CONSIDERED ALL INCLUSIVE ***

ALL GRAPHICS PROVIDED ARE FOR REFERENCE ONLY. IF CERTAIN DIMENSIONS ARE CRITICAL PLEASE VERIFY THOSE DIMENSIONS WITH YOUR SALESPERSON



PLEASE CIRCLE SPECIFICATIONS:

POWER	AC	DC (12V)	AIR/OIL
MOTOR VOLTAGE	115	208	230 460
DEDICATED CIRCUIT REQUIRED 60Hz			
MOTOR PHASE	SINGLE	THREE	
CONTROL	HAND	FOOT	

DIMENSION TOLERANCE $\pm 1/4"$

STANDARD FEATURES

- MODEL NUMBER IS DRM-H-3055
- OVERALL WIDTH IS 27 1/2"
- OVERALL LENGTH IS 34 3/4"
- OVERALL HEIGHT IS 15 7/16"
- FOR USE WITH 55 AND 30 GAL. DRUMS
- ADJUSTABLE DRUM ROTATIONAL SPEED
 - 50 GAL. DRUM SPEED IS 7 TO 20 RPM
 - 30 GAL. DRUM SPEED IS 8 TO 25 RPM
- PEDESTAL STAND ADJUSTABLE FROM 31" TO 45"
- CONTROLS ON PEDESTAL
- $\phi 7/16"$ PEDESTAL MOUNTING HOLES 4-PLACES
- $\phi 9/16"$ UNIT MOUNTING HOLES 4-PLACES
- MAX CAPACITY IS 1,000 LBS.
- TOUGH BAKED IN POWDER COATED BLUE FINISH

SPECIAL FEATURES

NONE

APPROVAL

I, THE UNDERSIGNED, AGREE THAT THE PRODUCT AS REPRESENTED SATISFIES DESIGN AND DIMENSION REQUIREMENTS. I ALSO ACKNOWLEDGE MY DUTY TO CONFIRM PRODUCT AND INSTALLATION COMPLIANCE WITH ALL APPLICABLE FEDERAL, STATE AND LOCAL REGULATIONS AND STANDARDS.

UNITS REQUIRING APPROVAL DRAWINGS OR MODIFIED ARE NON-RETURNABLE

[] As drawn [] As marked

Signed: _____ Date: _____

Printed Name: _____

LEAD TIME WILL START UPON RECEIPT OF SIGNED APPROVAL DRAWING

DISTRIBUTOR'S NAME:		P.O.#
HOF EQUIPMENT COMPANY		X
PH: 888.990.1150		W.O.#
		X
DRAWN BY:	DATE:	SALES:
JWW	2/8/2021	X
REFERENCE:	SCALE:	FILE NAME:
X	1:16	
QUOTED LEAD TIME:	QUOTE #	09-007-225
X	X	