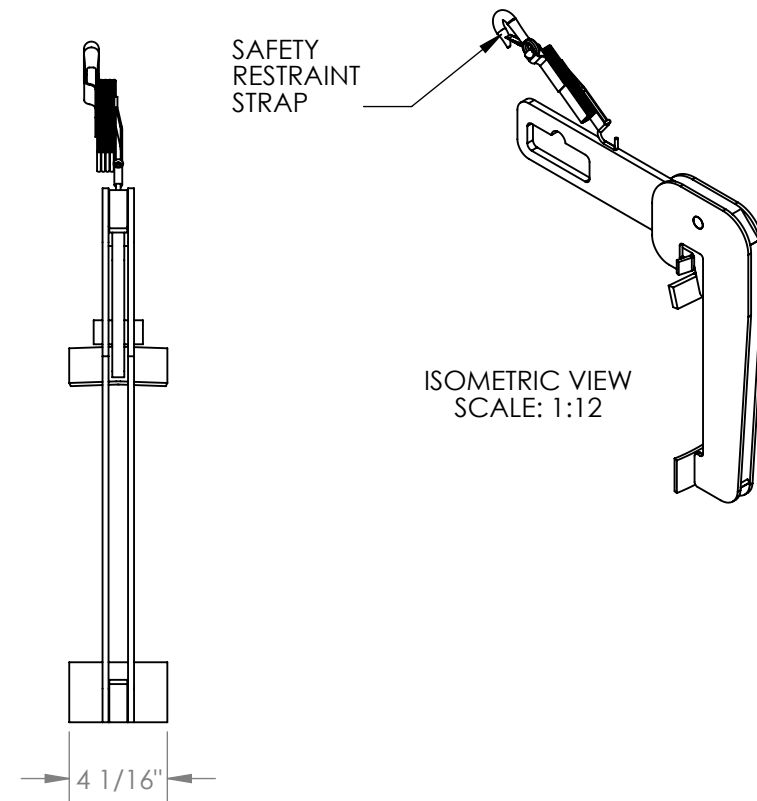
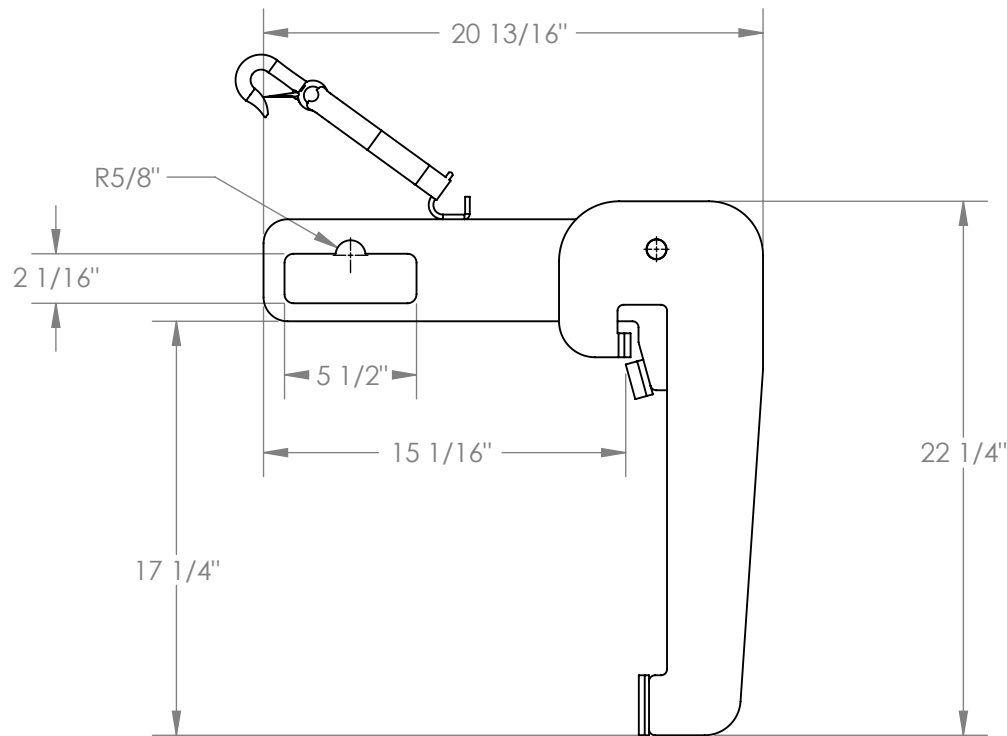


DRUM LIFTER - DL-31

APPROX WEIGHT: 27.71 lbs.
 DOES NOT INCLUDE WEIGHT OF POWER OR PACKAGING!!!

*** ANY ADDITIONS, DELETIONS, OR OMISSIONS MUST BE CORRECTED ON THIS DRAWING AS THIS DRAWING WILL BE CONSIDERED ALL INCLUSIVE ***

ALL GRAPHICS PROVIDED ARE FOR REFERENCE ONLY. IF CERTAIN DIMENSIONS ARE CRITICAL PLEASE VERIFY THOSE DIMENSIONS WITH YOUR SALESPERSON



ISOMETRIC VIEW
 SCALE: 1:12

DIMENSION TOLERANCE ± 1/4"

STANDARD FEATURES

- MODEL NUMBER: DL-31
- CAPACITY: 1,500 LBS.
- OVERALL WIDTH: 4 1/16"
- USABLE WIDTH: 4 1/16"
- OVERALL LENGTH: 20 13/16"
- USABLE LENGTH: 15 1/16"
- OVERALL HEIGHT: 22 1/4"
- USABLE HEIGHT: 17 1/4"
- FORK/HOOK OPENING: 5 1/2" W X 2 1/16" H
- STEEL CONSTRUCTION
- TOUGH BAKED IN POWDER COATED BLUE FINISH
- FOR USE WITH 55 & 30 GALLON STEEL DRUMS

SPECIAL FEATURES

NONE

APPROVAL	I, THE UNDERSIGNED, AGREE THAT THE PRODUCT AS REPRESENTED SATISFIES DESIGN AND DIMENSION REQUIREMENTS. I ALSO ACKNOWLEDGE MY DUTY TO CONFIRM PRODUCT AND INSTALLATION COMPLIANCE WITH ALL APPLICABLE FEDERAL, STATE AND LOCAL REGULATIONS AND STANDARDS.	
	ANY MODIFIED UNITS ARE NON-RETURNABLE	
	[] As drawn [] As marked	
Signed: _____		Date: _____
Printed Name: _____		
<i>LEAD TIME WILL START UPON RECEIPT OF SIGNED APPROVAL DRAWING</i>		

FOR INTERNAL USE ONLY PROJECT SIGN OFF	
SALES	
ENG.	
FAB.	
POWER	

DISTRIBUTOR'S NAME:		P.O.#
HOF EQUIPMENT COMPANY		X
PH: 888-990-1150		W.O.#
		X
DRAWN BY:	DATE:	SALES:
QW	12-01-2009	X
REFERENCE:	SCALE:	FILE NAME:
X	1:8	
QUOTED LEAD TIME:	QUOTE #	
X	X	09-007-065