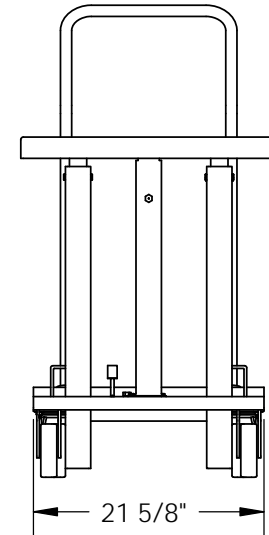
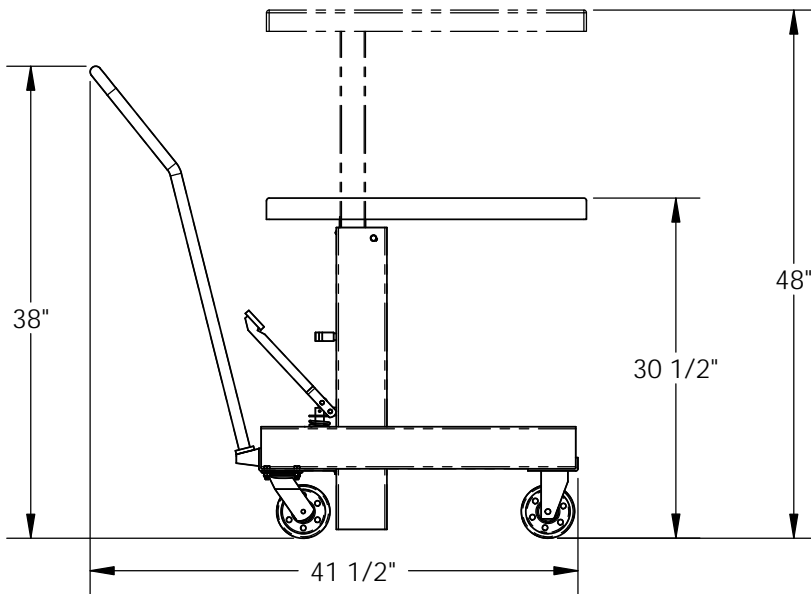
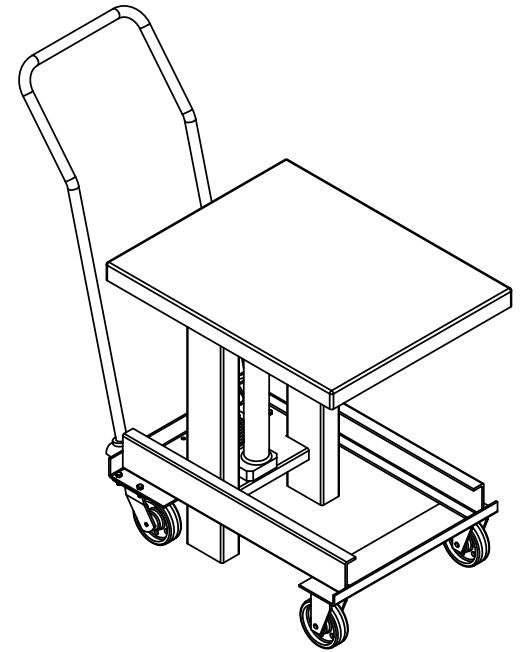
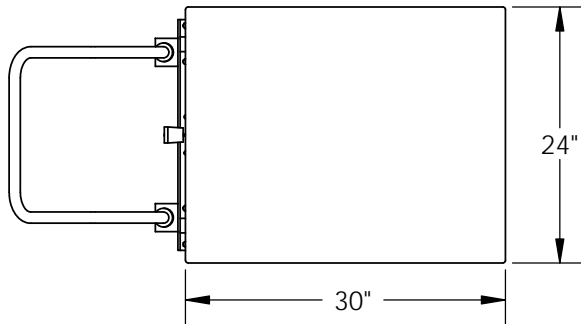


DIE TABLE - DIE-2430-48-C

APPROX WEIGHT: 234.46 lbs.
DOES NOT INCLUDE WEIGHT OF POWER OR PACKAGING!!!

ANY ADDITIONS, DELETIONS, OR OMISSIONS MUST BE CORRECTED ON THIS DRAWING AS THIS DRAWING WILL BE CONSIDERED ALL INCLUSIVE



ALL GRAPHICS PROVIDED ARE FOR REFERENCE ONLY. IF CERTAIN DIMENSIONS ARE CRITICAL PLEASE VERIFY THOSE DIMENSIONS WITH YOUR SALESPERSON

DIMENSION TOLERANCE $\pm 1/2"$

STANDARD FEATURES

- MODEL NUMBER IS DIE-2430-48-C
- CAPACITY IS: 2,000 LBS.
- OVERALL WIDTH IS: 24"
- OVERALL LENGTH IS: 41 1/2"
- PLATFORM LENGTH IS: 30"
- PLATFORM WIDTH IS: 24"
- HANDLE HEIGHT IS: 38"
- LOWERED HEIGHT IS: 30 1/2"
- RAISED HEIGHT IS: 48"
- MANUALLY OPERATED FOOT PUMP
- 2 RIGID AND 2 SWIVEL CASTERS
- WITH SIDE BRAKE

SPECIAL FEATURES

NONE

| | | |
|---|--|-------------|
| A P P R O V A L | I, THE UNDERSIGNED, AGREE THAT THE PRODUCT AS REPRESENTED SATISFIES DESIGN AND DIMENSION REQUIREMENTS. I ALSO ACKNOWLEDGE MY DUTY TO CONFIRM PRODUCT AND INSTALLATION COMPLIANCE WITH ALL APPLICABLE FEDERAL, STATE AND LOCAL REGULATIONS AND STANDARDS. | |
| | ALL SPECIAL UNITS ARE NON-RETURNABLE [] As drawn [] As marked | |
| Signed: _____ | | Date: _____ |
| LEAD TIME WILL START UPON RECEIPT OF SIGNED APPROVAL DRAWING | | |

| | | |
|---|--|--------------------------|
| DISTRIBUTOR'S NAME: HOF EQUIPMENT COMPANY PH: 888-990-1150 | | P.O.# X |
| DRAWN BY: T. MOORE | | W.O.# X |
| DATE: 10/22/2010 | | SALES: X |
| REFERENCE: X | | SCALE: 1:18 |
| QUOTED LEAD TIME: X | | FILE NAME: 21-007-082 |
| QUOTE # X | | |