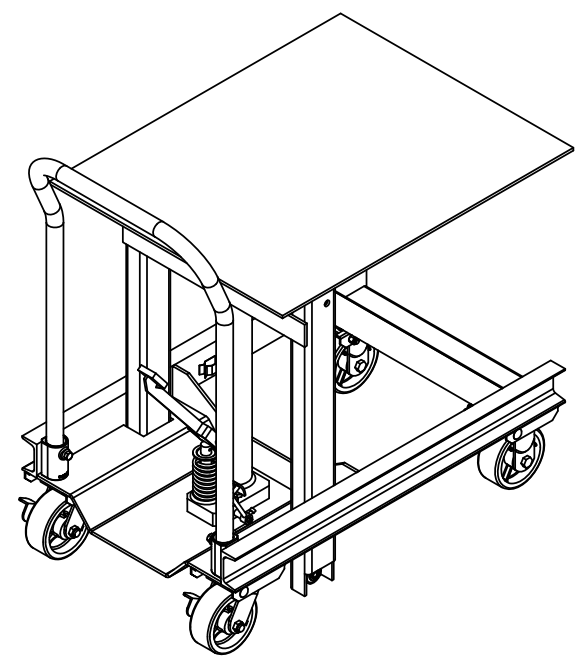
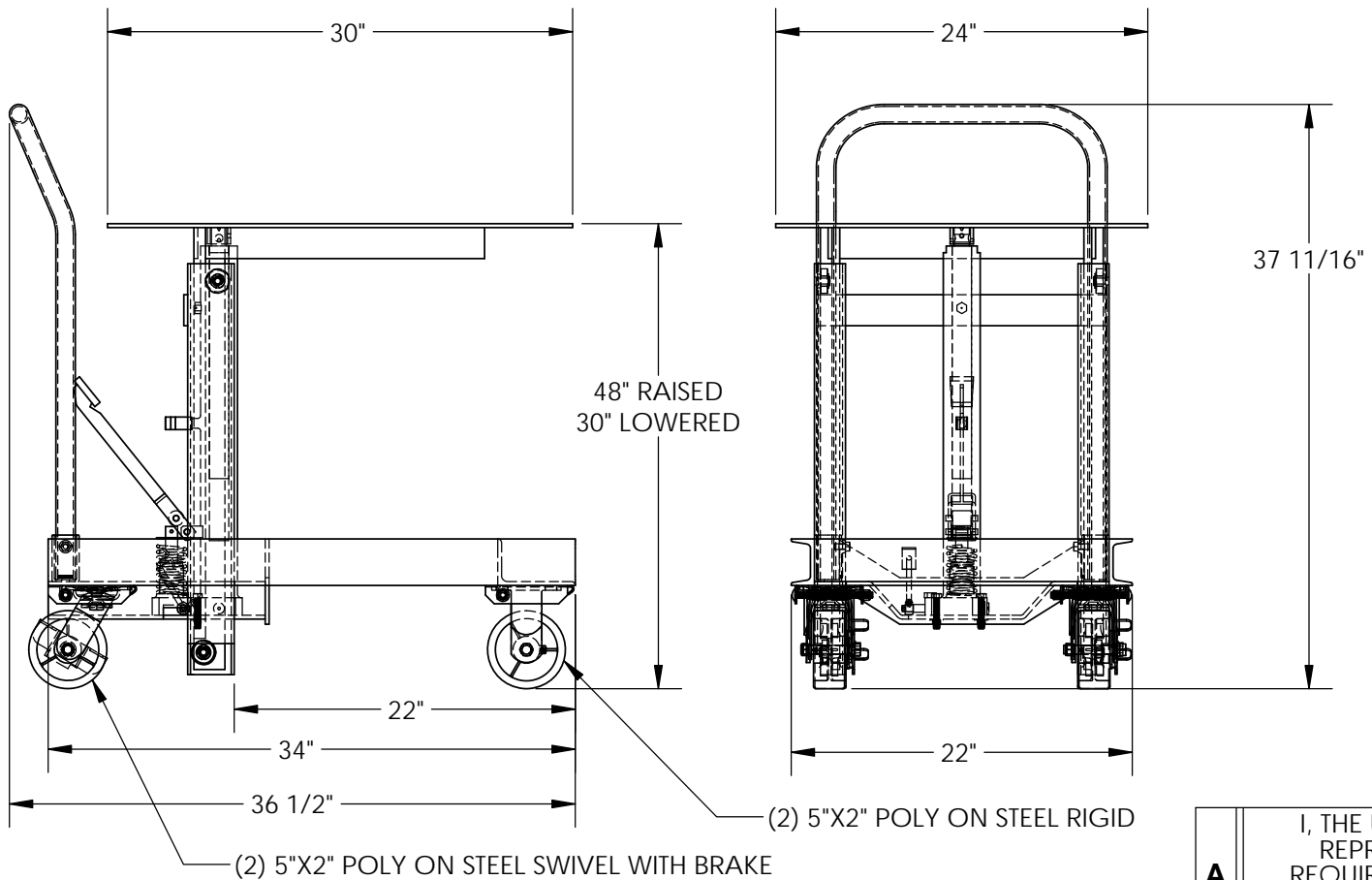


DIE TABLE - DIE-2430-48

APPROX WEIGHT: 267.11 lbs.
DOES NOT INCLUDE WEIGHT OF POWER OR PACKAGING!!!

*** ANY ADDITIONS, DELETIONS, OR OMISSIONS MUST BE CORRECTED ON THIS DRAWING AS THIS DRAWING WILL BE CONSIDERED ALL INCLUSIVE ***

ALL GRAPHICS PROVIDED ARE FOR REFERENCE ONLY. IF CERTAIN DIMENSIONS ARE CRITICAL PLEASE VERIFY THOSE DIMENSIONS WITH YOUR SALESPERSON



NO FLOOR LOCK

DIMENSION TOLERANCE ± 1/4"

STANDARD FEATURES

- MODEL NUMBER IS DIE-2430-48
- MAX CAPACITY IS 2000 LBS
- RAISED HEIGHT IS 48"
- LOWERED HEIGHT IS 30"
- DECK SIZE IS 24" x 30"
- FOOT PUMP ACTUATED
- OVERALL LENGTH IS 36 1/2"
- USABLE LENGTH IS 30"
- OVERALL WIDTH IS 24"
- USABLE WIDTH IS 24"
- COLOR IS VESTIL BLUE
- CASTERS
- (2) 5"X2" POLY ON STEEL RIGID
- (2) 5"X2" POLY ON STEEL SWIVEL WITH BRAKE

SPECIAL FEATURES

NONE

APPROVAL

I, THE UNDERSIGNED, AGREE THAT THE PRODUCT AS REPRESENTED SATISFIES DESIGN AND DIMENSION REQUIREMENTS. I ALSO ACKNOWLEDGE MY DUTY TO CONFIRM PRODUCT AND INSTALLATION COMPLIANCE WITH ALL APPLICABLE FEDERAL, STATE AND LOCAL REGULATIONS AND STANDARDS.

ALL SPECIAL UNITS ARE NON-RETURNABLE

[] As drawn [] As marked

Signed: _____ Date: _____

LEAD TIME WILL START UPON RECEIPT OF SIGNED APPROVAL DRAWING

FOR INTERNAL USE ONLY PROJECT SIGN OFF	
SALES	
ENG.	
FAB.	
POWER	

DISTRIBUTOR'S NAME: HOF EQUIPMENT COMPANY PH: 888-990-1150		P.O.# X
DRAWN BY: B.NOTHNAGEL	DATE: 09/05/2014	W.O.# X
REFERENCE: X	SCALE: 1:12	SALES: X
QUOTED LEAD TIME: X	QUOTE # X	FILE NAME: 21-007-096