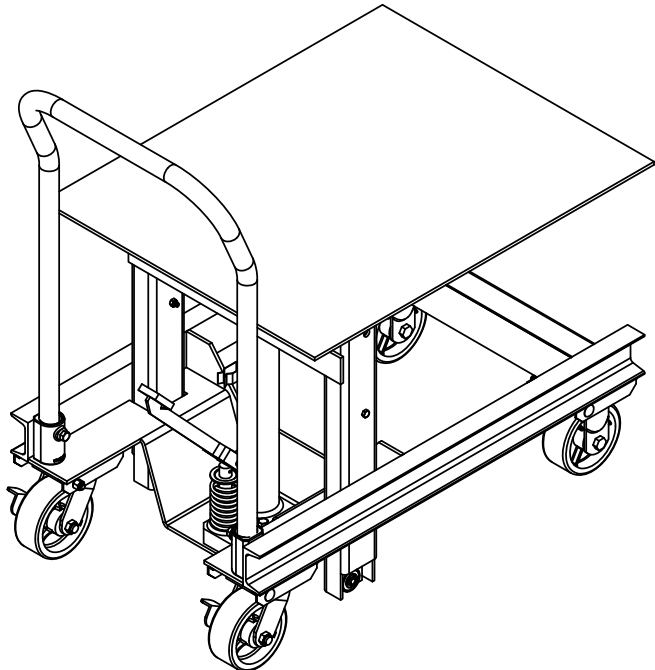
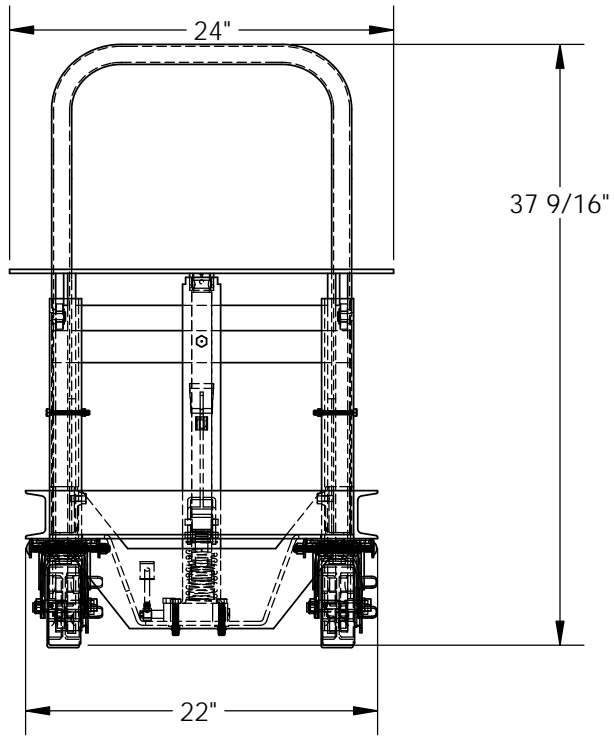
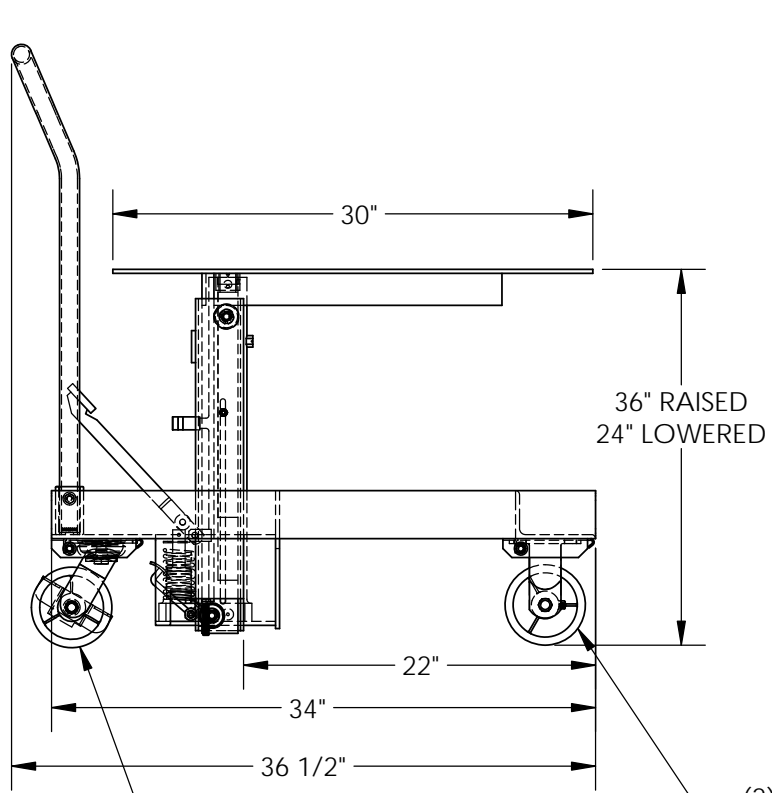


DIE TABLE - DIE-2430-36

APPROX WEIGHT: 252.16 lbs.
DOES NOT INCLUDE WEIGHT OF POWER OR PACKAGING!!!

*** ANY ADDITIONS, DELETIONS, OR OMISSIONS MUST BE CORRECTED ON THIS DRAWING AS THIS DRAWING WILL BE CONSIDERED ALL INCLUSIVE ***

ALL GRAPHICS PROVIDED ARE FOR REFERENCE ONLY. IF CERTAIN DIMENSIONS ARE CRITICAL PLEASE VERIFY THOSE DIMENSIONS WITH YOUR SALESPERSON



NO FLOOR LOCK

(2) POLY ON STEEL SWIVEL CASTERS WITH BRAKE
(2) POLY ON STEEL RIGID CASTERS

DIMENSION TOLERANCE ± 1/4"

STANDARD FEATURES

- MODEL NUMBER IS DIE-2430-36
- MAX CAPACITY IS 2000 LBS
- RAISED HEIGHT IS 36"
- LOWERED HEIGHT IS 24"
- DECK SIZE IS 24" x 30"
- FOOT PUMP ACTUATED
- OVERALL LENGTH IS 36 1/2"
- USABLE LENGTH IS 30"
- OVERALL WIDTH IS 24"
- USABLE WIDTH IS 24"
- COLOR IS VESTIL BLUE

- CASTERS**
- (2) 5"X2" POLY ON STEEL WITH BRAKE
 - (2) 5"X2" POLY ON STEEL RIGID

SPECIAL FEATURES

NONE

A P P R O V A L

I, THE UNDERSIGNED, AGREE THAT THE PRODUCT AS REPRESENTED SATISFIES DESIGN AND DIMENSION REQUIREMENTS. I ALSO ACKNOWLEDGE MY DUTY TO CONFIRM PRODUCT AND INSTALLATION COMPLIANCE WITH ALL APPLICABLE FEDERAL, STATE AND LOCAL REGULATIONS AND STANDARDS.

ALL SPECIAL UNITS ARE NON-RETURNABLE

[] As drawn [] As marked

Signed: _____ Date: _____

LEAD TIME WILL START UPON RECEIPT OF SIGNED APPROVAL DRAWING

FOR INTERNAL USE ONLY PROJECT SIGN OFF	
SALES	
ENG.	
FAB.	
POWER	

DISTRIBUTOR'S NAME: HOF EQUIPMENT COMPANY PH: 888-990-1150		P.O.# X
DRAWN BY: B.NOTHNAGEL	DATE: 09/05/2014	W.O.# X
REFERENCE: X	SCALE: 1:12	SALES: X
QUOTED LEAD TIME: X	QUOTE # X	FILE NAME: 21-007-098