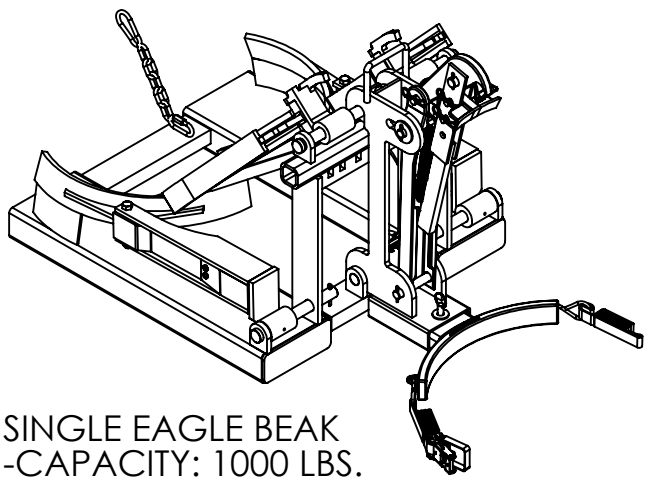


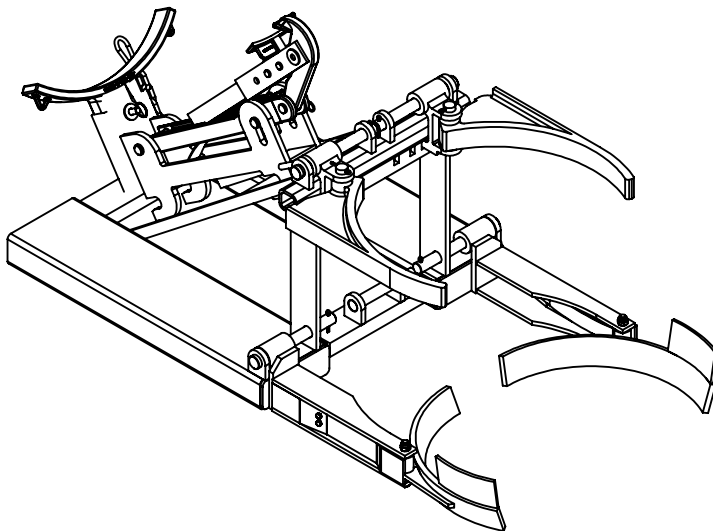
DELUXE COMBINATION FORK MOUNTED DRUMLIFTER - DFDL-3

APPROX WEIGHT: 287.07 lbs.
DOES NOT INCLUDE WEIGHT OF POWER OR PACKAGING!!!

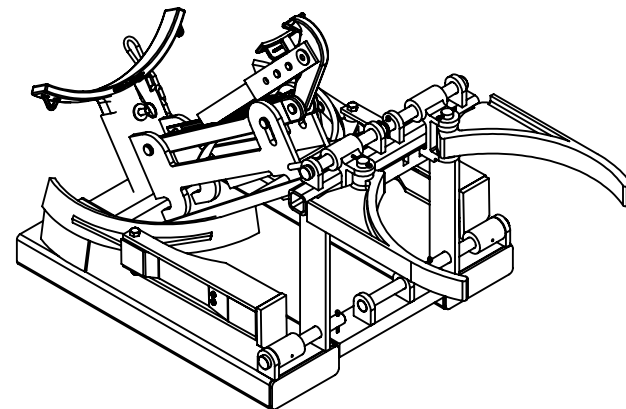
*** ANY ADDITIONS, DELETIONS, OR OMISSIONS MUST BE CORRECTED ON THIS DRAWING AS THIS DRAWING WILL BE CONSIDERED ALL INCLUSIVE ***
ALL GRAPHICS PROVIDED ARE FOR REFERENCE ONLY. IF CERTAIN DIMENSIONS ARE CRITICAL PLEASE VERIFY THOSE DIMENSIONS WITH YOUR SALESPERSON



SINGLE EAGLE BEAK
-CAPACITY: 1000 LBS.
-OVERALL DIMENSIONS:
28 3/4" H x 29" W x 46 3/8" L



BOTTOM LIP POLY DRUM LIFTER
-CAPACITY: 800 LBS.
-OVERALL DIMENSIONS:
30 1/8" H x 29" W x 56 7/16" L



TOP LIP POLY DRUM LIFTER
-CAPACITY: 1,100 LBS.
-OVERALL DIMENSIONS:
30 1/8" H x 29" W x 48 7/16" L

STANDARD FEATURES

- MODEL NUMBER IS DFDL-3
 - FOR USE WITH 30 & 55 GALLON PLASTIC, STEEL, & FIBER DRUM
 - DRUM MAY HAVE AN OPEN OR CLOSED HEAD (LID INSTALLED & SECURED)
 - DRUM MUST HAVE A TOP LIP STRONG ENOUGH TO SUPPORT THE WEIGHT OF THE DRUM
 - INCLUDES SAFETY CHAIN & T-LOCKS TO SECURE UNIT TO FORK TRUCK
 - WELDED STEEL CONSTRUCTION
 - TOUGH BAKED IN POWDER COAT BLUE AND YELLOW FINISH
 - USABLE FORK POCKETS ARE 7 1/2" W x 2 1/2" H x 29 3/4" L ON 20 1/2" CENTERS
 - INCLUDES SAFETY RACHETING STRAP TO SECURE DRUM TO UNIT
 - LOST LOAD IS 290 LBS. (APPROX)
 - EFFECTIVE THICKNESS IS FORK LENGTH MINUS 29 3/4"
- NEVER EXCEED LOAD CENTER RATING PER FORK TRUCK MANUFACTURER'S GUIDELINES. DO NOT USE THIS FORK TRUCK ATTACHEMENT IF LOAD WILL EXCEED FORK TRUCK MANUFACTURER'S LOAD CENTER RATING.

SPECIAL FEATURES

NONE

DIMENSION TOLERANCE ± 1/4"

APPROVAL	I, THE UNDERSIGNED, AGREE THAT THE PRODUCT AS REPRESENTED SATISFIES DESIGN AND DIMENSION REQUIREMENTS. I ALSO ACKNOWLEDGE MY DUTY TO CONFIRM PRODUCT AND INSTALLATION COMPLIANCE WITH ALL APPLICABLE FEDERAL, STATE AND LOCAL REGULATIONS AND STANDARDS.	
	ANY MODIFIED UNITS ARE NON-RETURNABLE	
	<input type="checkbox"/> As drawn	<input type="checkbox"/> As marked
	Signed: _____	Date: _____
Printed Name: _____		
LEAD TIME WILL START UPON RECEIPT OF SIGNED APPROVAL DRAWING		

FOR INTERNAL USE ONLY PROJECT SIGN OFF	
SALES	
ENG.	
FAB.	
POWER	

DISTRIBUTOR'S NAME: HOF EQUIPMENT COMPANY PH: 888-990-1150		P.O.# X
DRAWN BY: JGP		W.O.# X
DATE: 1/27/2020	SALES: X	
REFERENCE: X	SCALE: 1:16	FILE NAME:
QUOTED LEAD TIME: X	QUOTE # X	40-007-005