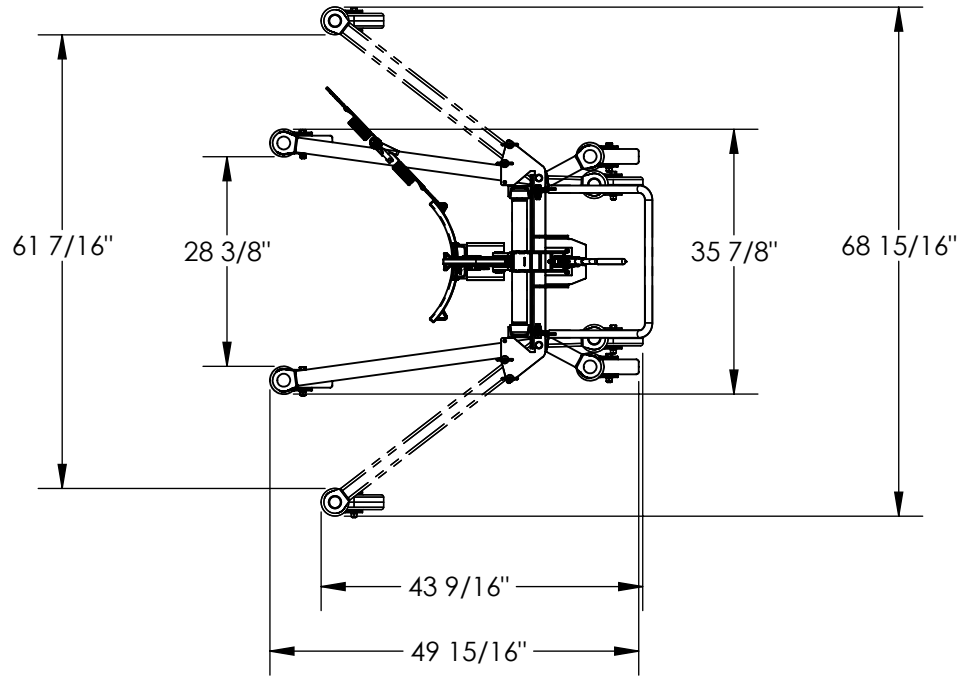


ECONOMICAL DRUM TRANSPORTER - DCR-880-M

APPROX WEIGHT: 236.41 lbs.
 DOES NOT INCLUDE WEIGHT OF POWER OR PACKAGING!!!

*** ANY ADDITIONS, DELETIONS, OR OMISSIONS MUST BE CORRECTED ON THIS DRAWING AS THIS DRAWING WILL BE CONSIDERED ALL INCLUSIVE ***

ALL GRAPHICS PROVIDED ARE FOR REFERENCE ONLY. IF CERTAIN DIMENSIONS ARE CRITICAL PLEASE VERIFY THOSE DIMENSIONS WITH YOUR SALESPERSON



STANDARD FEATURES

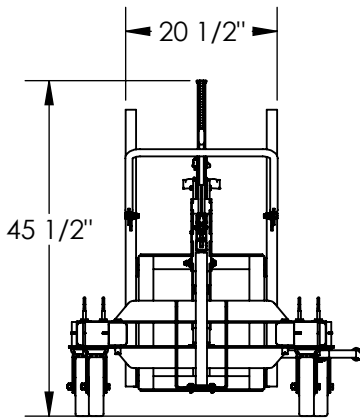
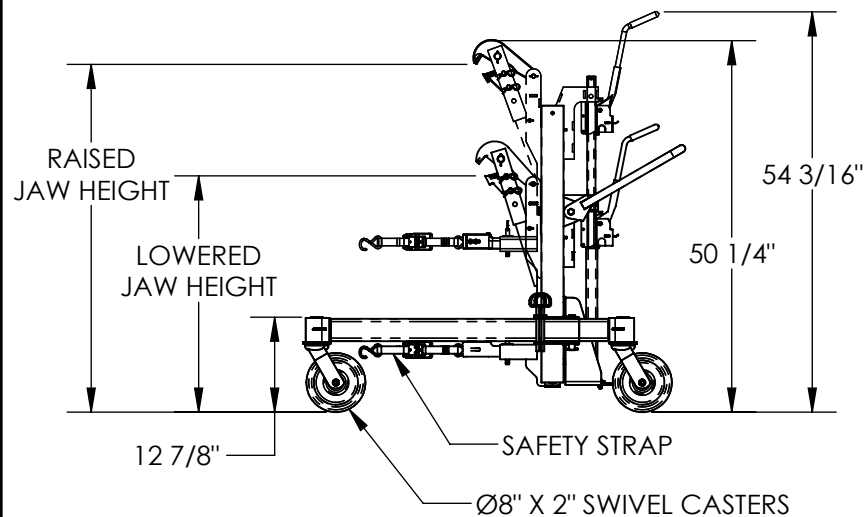
- MODEL NUMBER IS DCR-880-M
- CAPACITY: 880 LBS
- OVERALL LOWERED HEIGHT IS 45 1/2"
- OVERALL RAISED HEIGHT IS 54 3/16"
- MIN OVERALL LENGTH IS 43 9/16"
- MAX OVERALL LENGTH IS 49 15/16"
- MIN OVERALL WIDTH IS 35 7/8"
- MAX OVERALL WIDTH IS 68 15/16"
- MIN INSIDE WIDTH IS 28 3/8"
- MAX INSIDE WIDTH IS 61 7/16"
- JAW LOWERED HEIGHT IS 31"
- JAW RAISED HEIGHT IS 47"
- HAND RATCHET OPERATION
- CASTERS: 8 x 2 SWIVEL
- INCLUDES SAFETY STRAP
- TOUGH BAKED IN POWDER COATED YELLOW FINISH

SPECIAL FEATURES

NONE

FOR INTERNAL USE ONLY
 PROJECT SIGN OFF

SALES	
ENG.	
FAB.	
POWER	



DIMENSION TOLERANCE ± 1/4"

APPROVAL	I, THE UNDERSIGNED, AGREE THAT THE PRODUCT AS REPRESENTED SATISFIES DESIGN AND DIMENSION REQUIREMENTS. I ALSO ACKNOWLEDGE MY DUTY TO CONFIRM PRODUCT AND INSTALLATION COMPLIANCE WITH ALL APPLICABLE FEDERAL, STATE AND LOCAL REGULATIONS AND STANDARDS.	
	ANY MODIFIED UNITS ARE NON-RETURNABLE	
	[] As drawn [] As marked	
	Signed: _____ Date: _____	
Printed Name: _____		
LEAD TIME WILL START UPON RECEIPT OF SIGNED APPROVAL DRAWING		

DISTRIBUTOR'S NAME:		P.O.#
VESTIL MANUFACTURING		X
		W.O.#
DRAWN BY: WHR		X
DATE: 02/21/12		SALES: X
REFERENCE: X	SCALE: 1:26	FILE NAME:
QUOTED LEAD TIME: X	QUOTE #	40-007-013
	X	