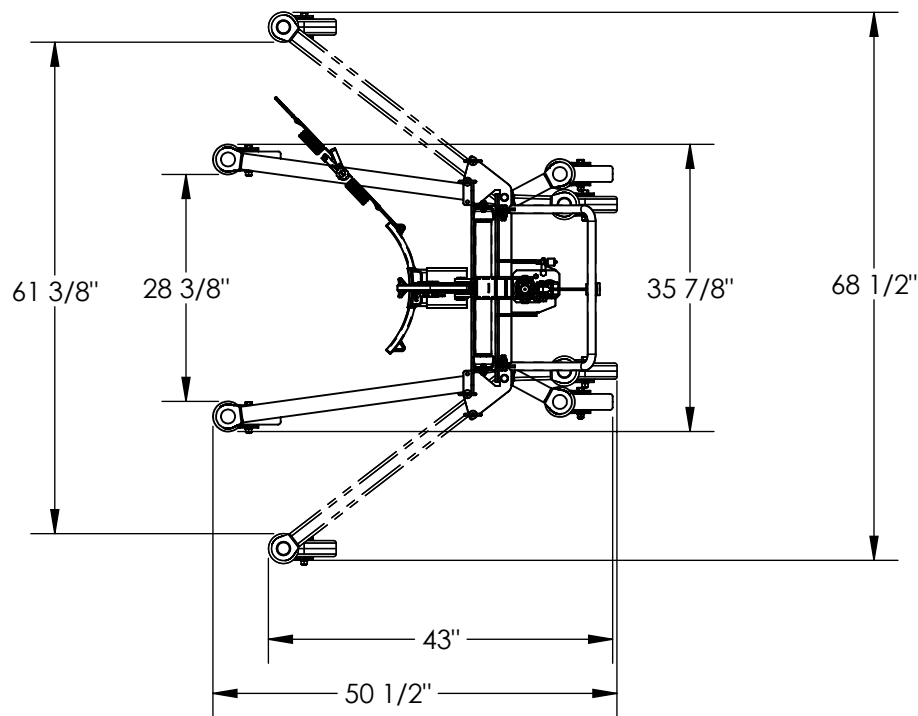


ECONOMICAL DRUM TRANSPORTER - DCR-880-H

APPROX WEIGHT: 270.47 lbs.
 DOES NOT INCLUDE WEIGHT OF POWER OR PACKAGING!!!

*** ANY ADDITIONS, DELETIONS, OR OMISSIONS MUST BE CORRECTED ON THIS DRAWING AS THIS DRAWING WILL BE CONSIDERED ALL INCLUSIVE ***

ALL GRAPHICS PROVIDED ARE FOR REFERENCE ONLY. IF CERTAIN DIMENSIONS ARE CRITICAL PLEASE VERIFY THOSE DIMENSIONS WITH YOUR SALESPERSON



STANDARD FEATURES

- MODEL NUMBER IS: DCR-880-H
- CAPACITY IS: 1500 LBS.
- MIN OVERALL HEIGHT IS 43 11/16"
- MAX OVERALL HEIGHT IS 53 1/2"
- MIN OVERALL LENGTH IS 43"
- MAX OVERALL LENGTH IS 50 1/2"
- MIN OVERALL WIDTH IS 35 7/8"
- MAX OVERALL WIDTH IS 68 1/2"
- MIN INSIDE WIDTH IS 28 3/8"
- MAX INSIDE WIDTH IS 61 3/8"
- LOWERED JAW HEIGHT IS 31"
- RAISED JAW HEIGHT IS 49"
- FOOT PUMP OPERATION
- CASTERS: 8 x 2 SWIVEL
- INCLUDES SAFETY STRAP
- TOUGH BAKED IN POWDER COATED YELLOW FINISH

SPECIAL FEATURES

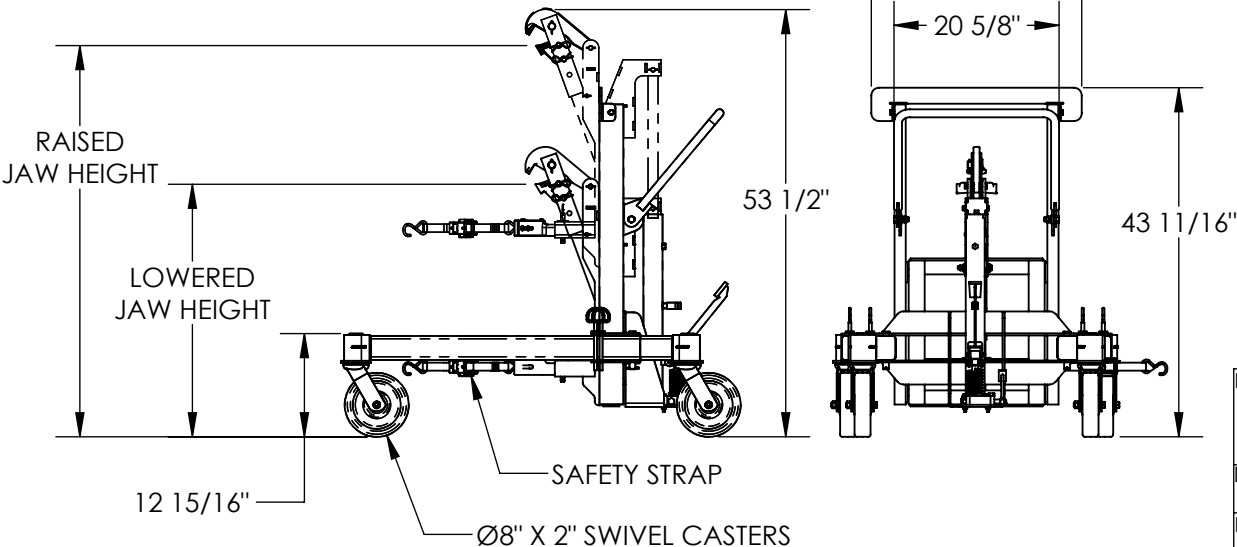
NONE

FOR INTERNAL USE ONLY
 PROJECT SIGN OFF

SALES	
ENG.	
FAB.	
POWER	

DIMENSION TOLERANCE ± 1/4"

A P P R O V A L	I, THE UNDERSIGNED, AGREE THAT THE PRODUCT AS REPRESENTED SATISFIES DESIGN AND DIMENSION REQUIREMENTS. I ALSO ACKNOWLEDGE MY DUTY TO CONFIRM PRODUCT AND INSTALLATION COMPLIANCE WITH ALL APPLICABLE FEDERAL, STATE AND LOCAL REGULATIONS AND STANDARDS.	
	ANY MODIFIED UNITS ARE NON-RETURNABLE	
	[] As drawn [] As marked	
	Signed: _____ Date: _____	
Printed Name: _____		
LEAD TIME WILL START UPON RECEIPT OF SIGNED APPROVAL DRAWING		



DISTRIBUTOR'S NAME:		P.O.#
VESTIL MANUFACTURING		X
DRAWN BY: WHR		W.O.#
DATE: 02/22/12		X
REFERENCE: X	SCALE: 1:24	SALES: X
QUOTED LEAD TIME: X	QUOTE #	FILE NAME:
	X	40-007-021