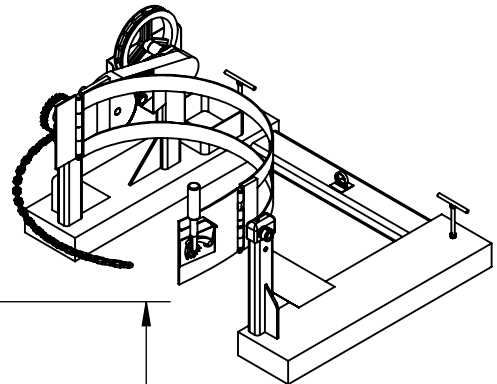
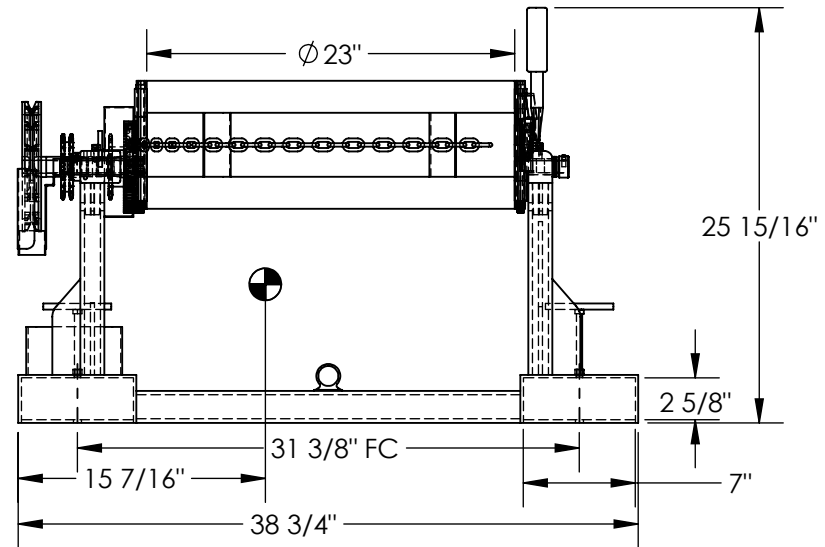
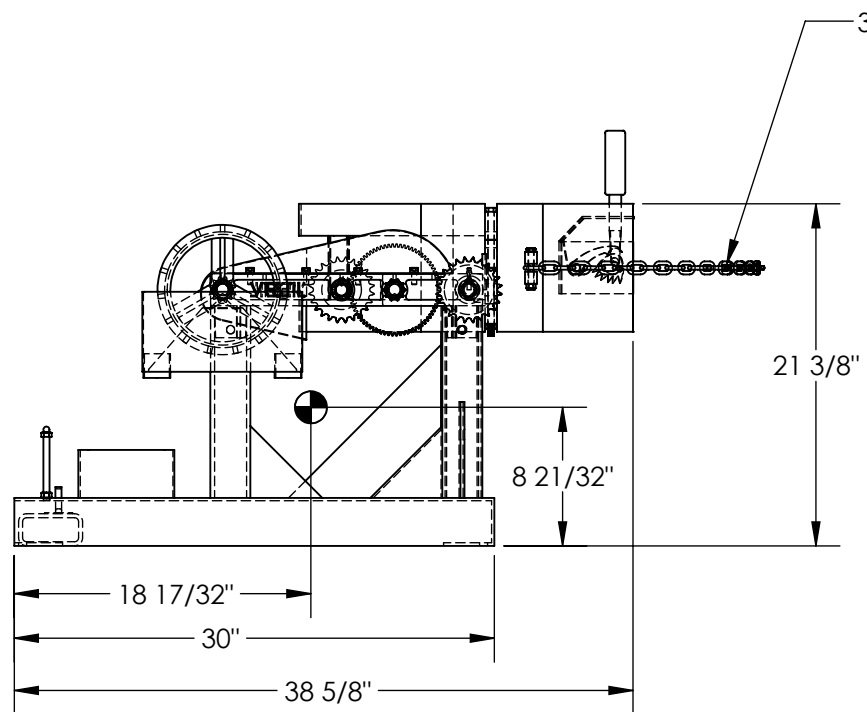


FORK MOUNTED DRUM CARRIER/ROTATOR - DCR-205-15

APPROX WEIGHT: 150.31 lbs.
DOES NOT INCLUDE WEIGHT OF POWER OR PACKAGING!!!

*** ANY ADDITIONS, DELETIONS, OR OMISSIONS MUST BE CORRECTED ON THIS DRAWING AS THIS DRAWING WILL BE CONSIDERED ALL INCLUSIVE ***
ALL GRAPHICS PROVIDED ARE FOR REFERENCE ONLY. IF CERTAIN DIMENSIONS ARE CRITICAL PLEASE VERIFY THOSE DIMENSIONS WITH YOUR SALESPERSON



DIMENSION TOLERANCE ± 1/2"

STANDARD FEATURES

- MODEL NUMBER IS DCR-205-15
- OVERALL WIDTH IS 38 3/4"
- OVERALL LENGTH IS 38 5/8"
- OVERALL HEIGHT IS 25 15/16"
- FITS 1- 55 GALLON DRUM
- MAX CAPACITY IS 1,500 LBS.
- FORK TRUCK RESTRAINT CHAIN LENGTH IS 56" (NOT SHOWN)
- 15' ROTATION PULL CHAIN (NOT SHOWN)
- FORK POCKET CENTER-TO-CENTER IS 31 3/8"
- USABLE FORK POCKET SIZE IS 7" X 2 5/8"
- BUNG WRENCH INCLUDED (NOT SHOWN)
- LOST LOAD IS 151 LBS. (APPROX)
- EFFECTIVE THICKNESS IS FORK LENGTH MINUS 29 3/4"
- FRAME IS TOUGH BAKED INPOWDER COATED YELLOW FINISH
- CRADLE IS TOUGH BAKED IN POWDER COATED BLUE FINISH

SPECIAL FEATURES

NONE

APPROVAL

I, THE UNDERSIGNED, AGREE THAT THE PRODUCT AS REPRESENTED SATISFIES DESIGN AND DIMENSION REQUIREMENTS. I ALSO ACKNOWLEDGE MY DUTY TO CONFIRM PRODUCT AND INSTALLATION COMPLIANCE WITH ALL APPLICABLE FEDERAL, STATE AND LOCAL REGULATIONS AND STANDARDS.

ANY MODIFIED UNITS ARE NON-RETURNABLE

As drawn As marked

Signed: _____ Date: _____

Printed Name: _____

LEAD TIME WILL START UPON RECEIPT OF SIGNED APPROVAL DRAWING

FOR INTERNAL USE ONLY PROJECT SIGN OFF	
SALES	
ENG.	
FAB.	
POWER	

DISTRIBUTOR'S NAME:		P.O.#
HOF EQUIPMENT COMPANY		X
PH: 888-990-1150		W.O.#
DRAWN BY: CA		X
DATE: 08/26/2013		SALES: X
REFERENCE: X	SCALE: 1:12	FILE NAME:
QUOTED LEAD TIME: X	QUOTE # X	09-007-180