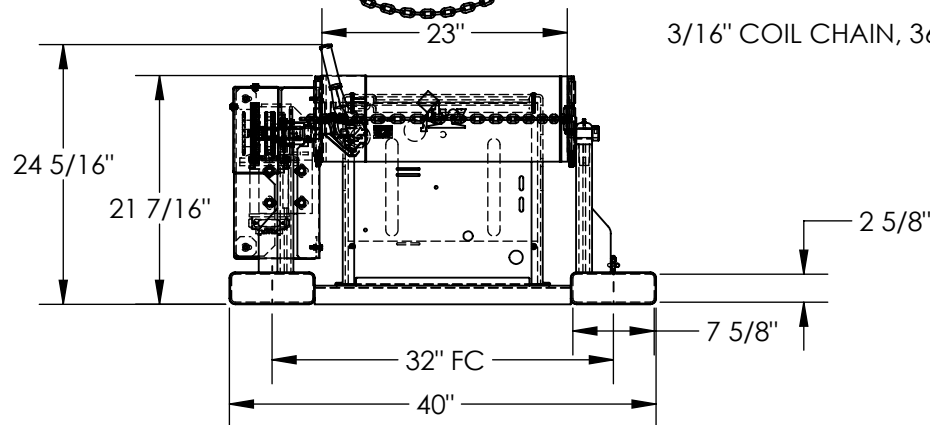
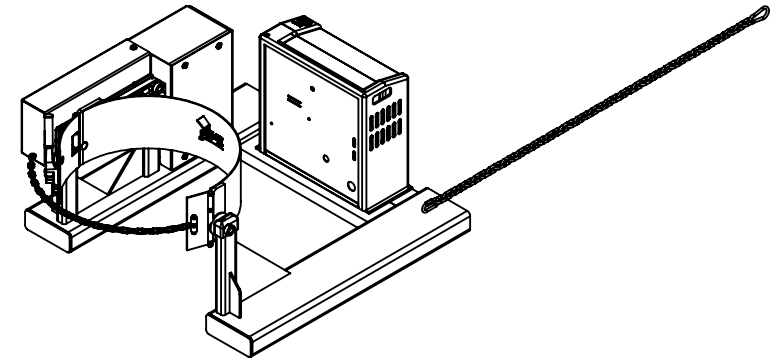
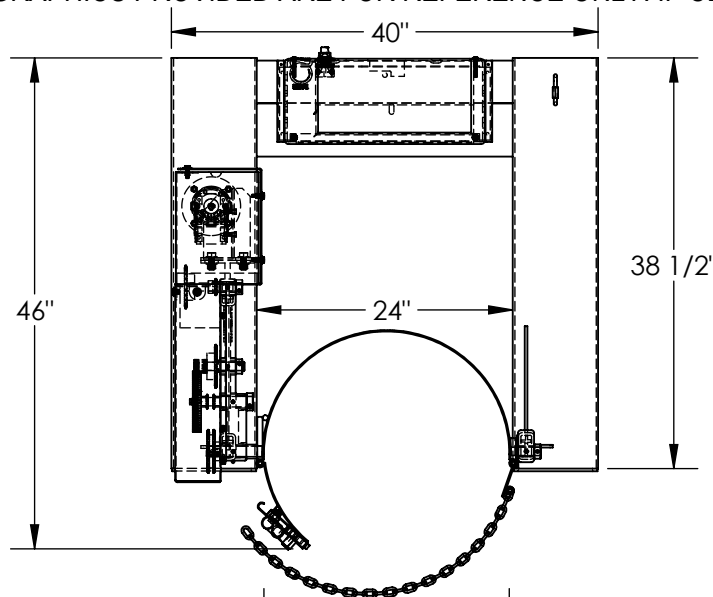


FORK TRUCK DRUM CARRIER/ROTATOR - DCR-205-12-DC

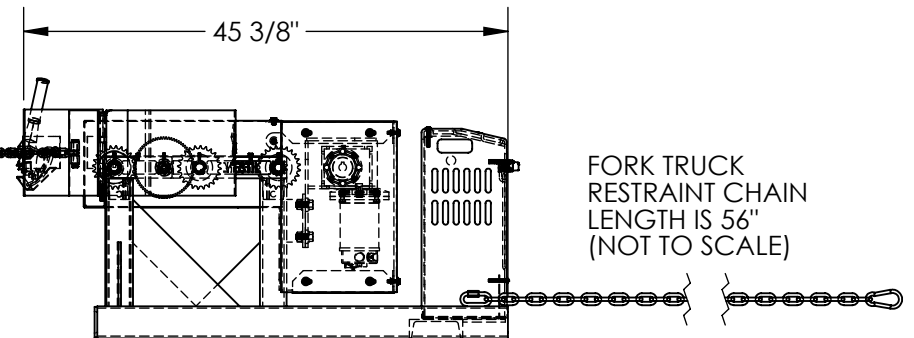
APPROX WEIGHT: 272.32 lbs.
DOES NOT INCLUDE WEIGHT OF POWER OR PACKAGING!!!

*** ANY ADDITIONS, DELETIONS, OR OMISSIONS MUST BE CORRECTED ON THIS DRAWING AS THIS DRAWING WILL BE CONSIDERED ALL INCLUSIVE ***

ALL GRAPHICS PROVIDED ARE FOR REFERENCE ONLY. IF CERTAIN DIMENSIONS ARE CRITICAL PLEASE VERIFY THOSE DIMENSIONS WITH YOUR SALESPERSON



3/16" COIL CHAIN, 36" LG



FORK TRUCK
RESTRAINT CHAIN
LENGTH IS 56"
(NOT TO SCALE)

NEVER EXCEED LOAD CENTER RATING PER FORK TRUCK MANUFACTURER'S GUIDELINES. DO NOT USE THIS FORK TRUCK ATTACHEMENT IF LOAD WILL EXCEED FORK TRUCK MANUFACTURER'S LOAD CENTER RATING.

SPECIAL FEATURES

NONE

DIMENSION TOLERANCE $\pm 1/4"$

FOR INTERNAL USE ONLY PROJECT SIGN OFF	
SALES	
ENG.	
FAB.	
POWER	

APPROVAL

I, THE UNDERSIGNED, AGREE THAT THE PRODUCT AS REPRESENTED SATISFIES DESIGN AND DIMENSION REQUIREMENTS. I ALSO ACKNOWLEDGE MY DUTY TO CONFIRM PRODUCT AND INSTALLATION COMPLIANCE WITH ALL APPLICABLE FEDERAL, STATE AND LOCAL REGULATIONS AND STANDARDS.

ANY MODIFIED UNITS ARE NON-RETURNABLE

As drawn As marked

Signed: _____ Date: _____

Printed Name: _____

LEAD TIME WILL START UPON RECEIPT OF SIGNED APPROVAL DRAWING

STANDARD FEATURES

- MODEL NUMBER IS DCR-205-12-DC
- OVERALL WIDTH IS 40"
- OVERALL LENGTH IS 46"
- OVERALL HEIGHT IS 24 5/16"
- FITS 1- 55 GALLON DRUM
- MAX CAPACITY IS 1,200 LBS.
- FORK TRUCK RESTRAINT CHAIN LENGTH IS 56"
- FORK POCKET CENTER-TO-CENTER IS 32"
- USABLE FORK POCKET SIZE IS 7 5/8" X 2 5/8"
- BUNG WRENCH INCLUDED (NOT SHOWN)
- LOST LOAD IS 275 LBS. (APPROX)
- EFFECTIVE THICKNESS IS FORK LENGTH MINUS 38 1/2"
- DC POWERED HAND HELD CONTROL
- ON BOARD BATTERY CHARGER AND INDICATOR GAUGE
- FRAME IS TOUGH BAKED IN POWDER COATED YELLOW FINISH
- CRADLE IS TOUGH BAKED IN POWDER COATED BLUE FINISH

DISTRIBUTOR'S NAME:		P.O.#
HOF EQUIPMENT COMPANY		X
PH: 888-990-1150		W.O.#
DRAWN BY: CRA		X
DATE: 9/30/2013		SALES: X
REFERENCE: X	SCALE: 1:18	FILE NAME:
QUOTED LEAD TIME: X	QUOTE #	09-007-112
	X	