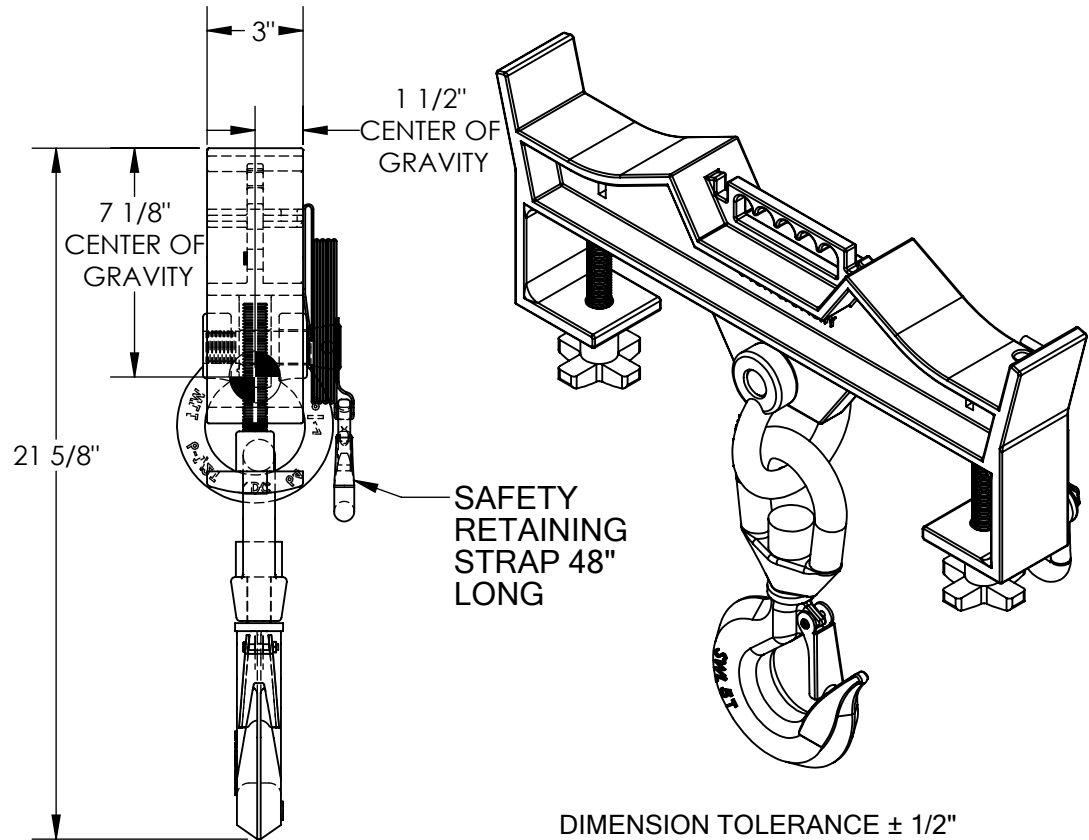
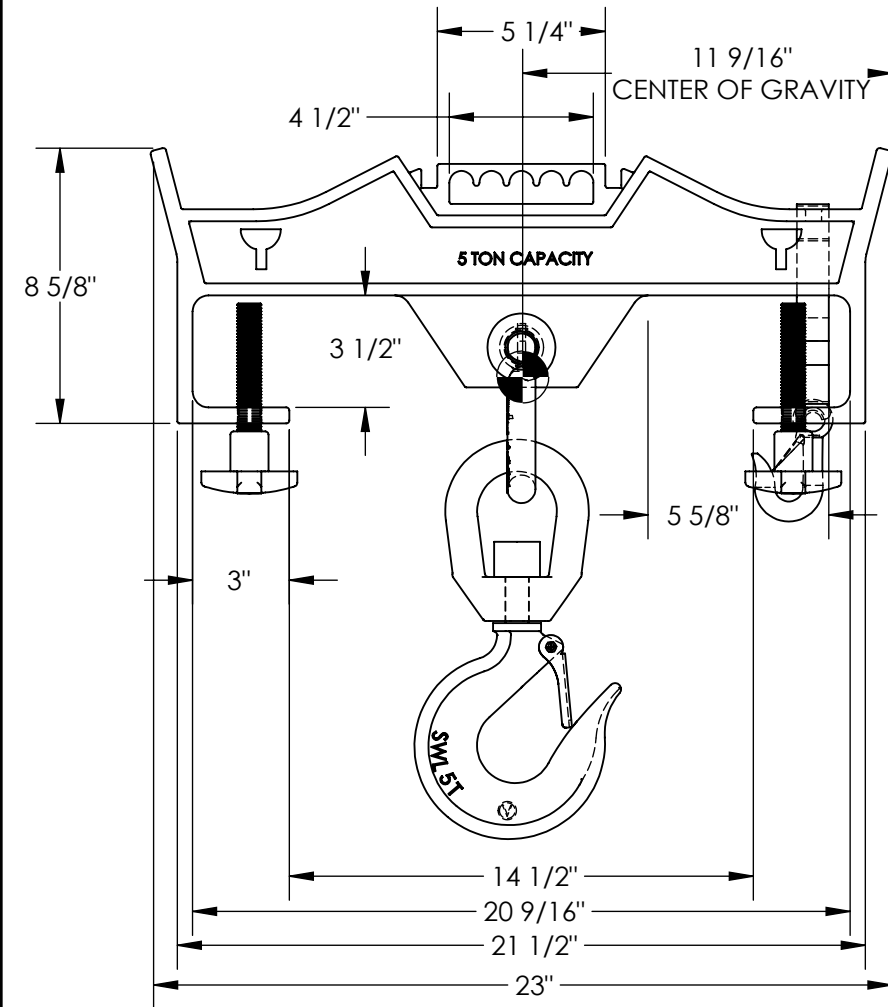


DOUBLE/SWIVEL HOISTING HOOK - D-FORK-10-SL

APPROX WEIGHT: 53.50 lbs.
DOES NOT INCLUDE WEIGHT OF POWER OR PACKAGING!!!

*** ANY ADDITIONS, DELETIONS, OR OMISSIONS MUST BE CORRECTED ON THIS DRAWING AS THIS DRAWING WILL BE CONSIDERED ALL INCLUSIVE ***

ALL GRAPHICS PROVIDED ARE FOR REFERENCE ONLY. IF CERTAIN DIMENSIONS ARE CRITICAL PLEASE VERIFY THOSE DIMENSIONS WITH YOUR SALESPERSON



DIMENSION TOLERANCE ± 1/2"

APPROX. WEIGHT / LOST LOAD = 54 LBS. (APPROX)
MINIMUM EFFECTIVE THICKNESS = ADJUSTABLE
NEVER EXCEED LOAD CENTER
RATING PER FORKTRUCK
MANUFACTURERS GUIDELINES.
DO NOT USE THIS FORK TRUCK
ATTACHMENT IF LOAD WILL
EXCEED FORK TRUCK MANUFACTURER'S
LOAD CENTER RATING

SPECIAL FEATURES
NONE

STANDARD FEATURES

MODEL NUMBER: D-FORK-10-SL
CAPACITY: 10,000 (5 TON)
FORK OPENINGS: 5 5/8" W x 3 1/2" H
MAX FORK WIDTH 20 9/16"
OVERALL LENGTH: 23"
BODY HEIGHT: 8 5/8"
STRAP LENGTH: SAFETY RETAINING STRAP 48" LONG
HOT DIPPED GALVANIZED STEEL

APPROVAL

I, THE UNDERSIGNED, AGREE THAT THE PRODUCT AS REPRESENTED SATISFIES DESIGN AND DIMENSION REQUIREMENTS. I ALSO ACKNOWLEDGE MY DUTY TO CONFIRM PRODUCT AND INSTALLATION COMPLIANCE WITH ALL APPLICABLE FEDERAL, STATE AND LOCAL REGULATIONS AND STANDARDS.
UNITS REQUIRING APPROVAL DRAWINGS OR MODIFIED ARE NON-RETURNABLE
[] As drawn [] As marked

Signed: _____ Date: _____
Printed Name: _____
LEAD TIME WILL START UPON RECEIPT OF SIGNED APPROVAL DRAWING

DISTRIBUTOR'S NAME:		HOF EQUIPMENT COMPANY		P.O.#	X
		PH: 888-990-1150		W.O.#	X
DRAWN BY:	B.NOTHNAGEL	DATE:	7/30/2015	SALES:	X
REFERENCE:	X	SCALE:	1:6	FILE NAME:	
QUOTED LEAD TIME:	X	QUOTE #	X		08-007-144-001