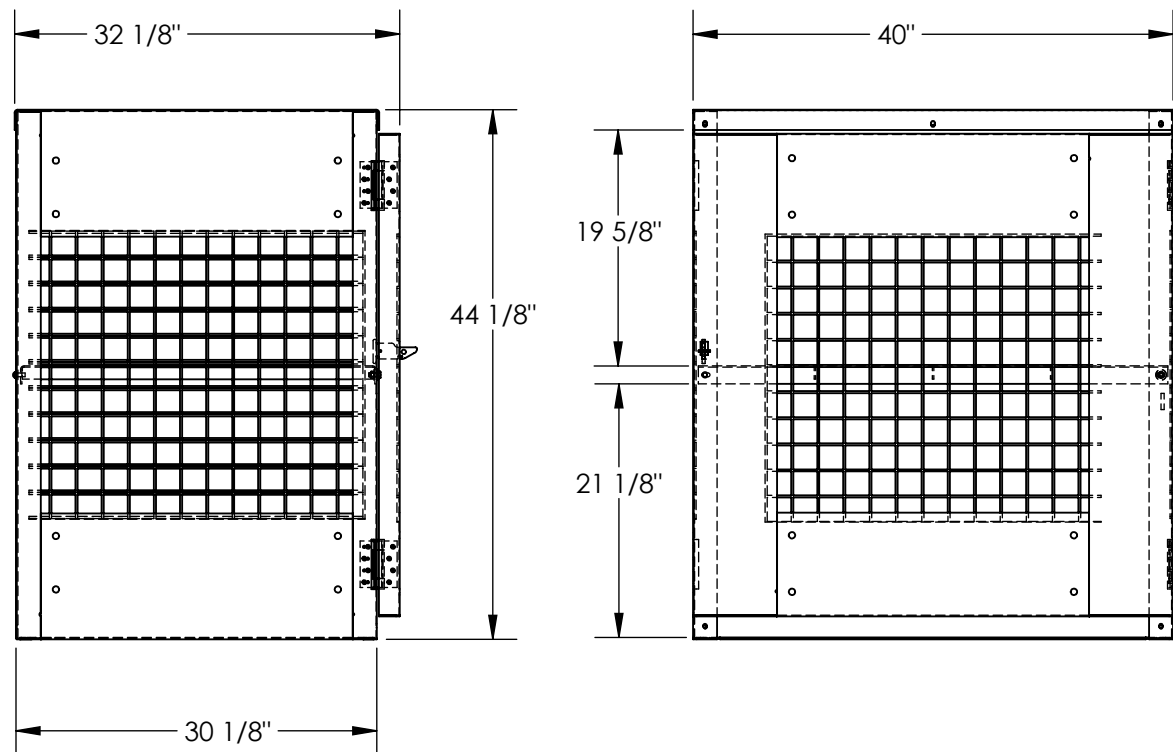


PROPANE CYLINDER STORAGE CABINETS - CYL-EX-12-E

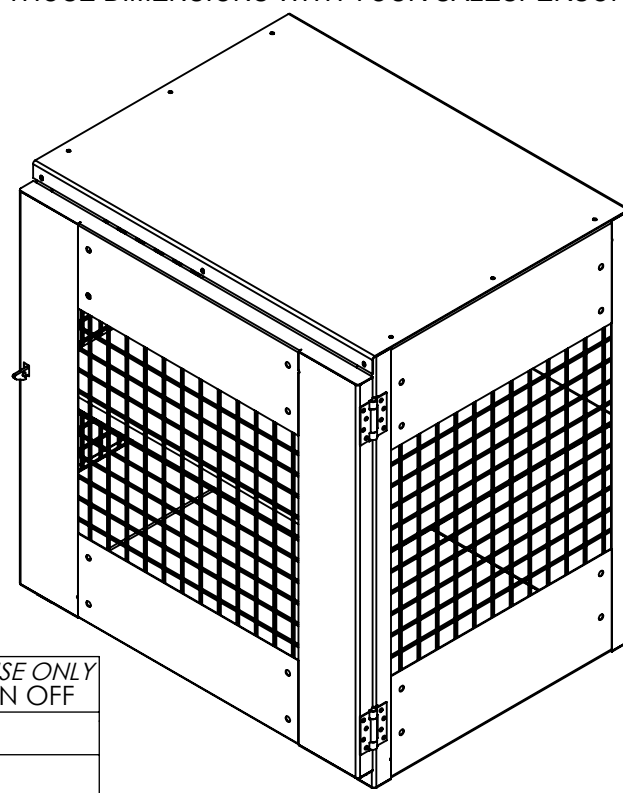
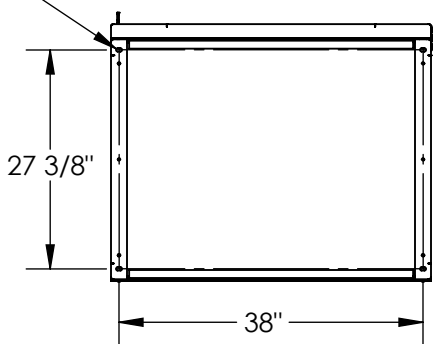
APPROX WEIGHT: 217.85 lbs.
 DOES NOT INCLUDE WEIGHT OF POWER OR PACKAGING!!!

*** ANY ADDITIONS, DELETIONS, OR OMISSIONS MUST BE CORRECTED ON THIS DRAWING AS THIS DRAWING WILL BE CONSIDERED ALL INCLUSIVE ***

ALL GRAPHICS PROVIDED ARE FOR REFERENCE ONLY. IF CERTAIN DIMENSIONS ARE CRITICAL PLEASE VERIFY THOSE DIMENSIONS WITH YOUR SALESPERSON



LAG HOLE PATTERN
 Ø7/16" X 3/4" LG
 SLOT
 4-PLACES



FOR INTERNAL USE ONLY
 PROJECT SIGN OFF

SALES	
ENG.	
FAB.	
POWER	

DIMENSION TOLERANCE ± 1/4"

STANDARD FEATURES

- MODEL NUMBER IS CYL-EX-12-E
- OVERALL WIDTH IS 40"
- OVERALL LENGTH IS 32 1/8"
- OVERALL HEIGHT IS 44 1/8"
- HEIGHT BETWEEN SHELVES IS 19 5/8", 21 1/8"
- STEEL MESH DOOR
- MAX CAPACITY IS 6 TANKS PER SHELF
- SHELF UNIFORM CAPACITY IS 170 LBS.
- TOTAL UNIFORM CAPACITY IS 340 LBS.
- DOOR IS RIVETED ON TO UNIT
- TOUGH BAKED IN POWDER COATED WHITE FINISH
- INCLUDES LAG HOLES (LAG HARDWARE NOT INCLUDED)
- INCLUDES RED LETTER SIGNAGE:
 "PROPANE EXCHANGE, FLAMMABLE, NO SMOKING" (NOT SHOWN)

SPECIAL FEATURES

NONE

APPROVAL

I, THE UNDERSIGNED, AGREE THAT THE PRODUCT AS REPRESENTED SATISFIES DESIGN AND DIMENSION REQUIREMENTS. I ALSO ACKNOWLEDGE MY DUTY TO CONFIRM PRODUCT AND INSTALLATION COMPLIANCE WITH ALL APPLICABLE FEDERAL, STATE AND LOCAL REGULATIONS AND STANDARDS.

ANY MODIFIED UNITS ARE NON-RETURNABLE

[] As drawn [] As marked

Signed: _____ Date: _____

Printed Name: _____

LEAD TIME WILL START UPON RECEIPT OF SIGNED APPROVAL DRAWING

DISTRIBUTOR'S NAME:		P.O.#
HOF EQUIPMENT COMPANY		X
PH: 888-990-1150		W.O.#
		X
DRAWN BY:	DATE:	SALES:
CRM	11/15/2010	X
REFERENCE:	SCALE:	FILE NAME:
X	1:16	
QUOTED LEAD TIME:	QUOTE #	
X	X	31-007-128