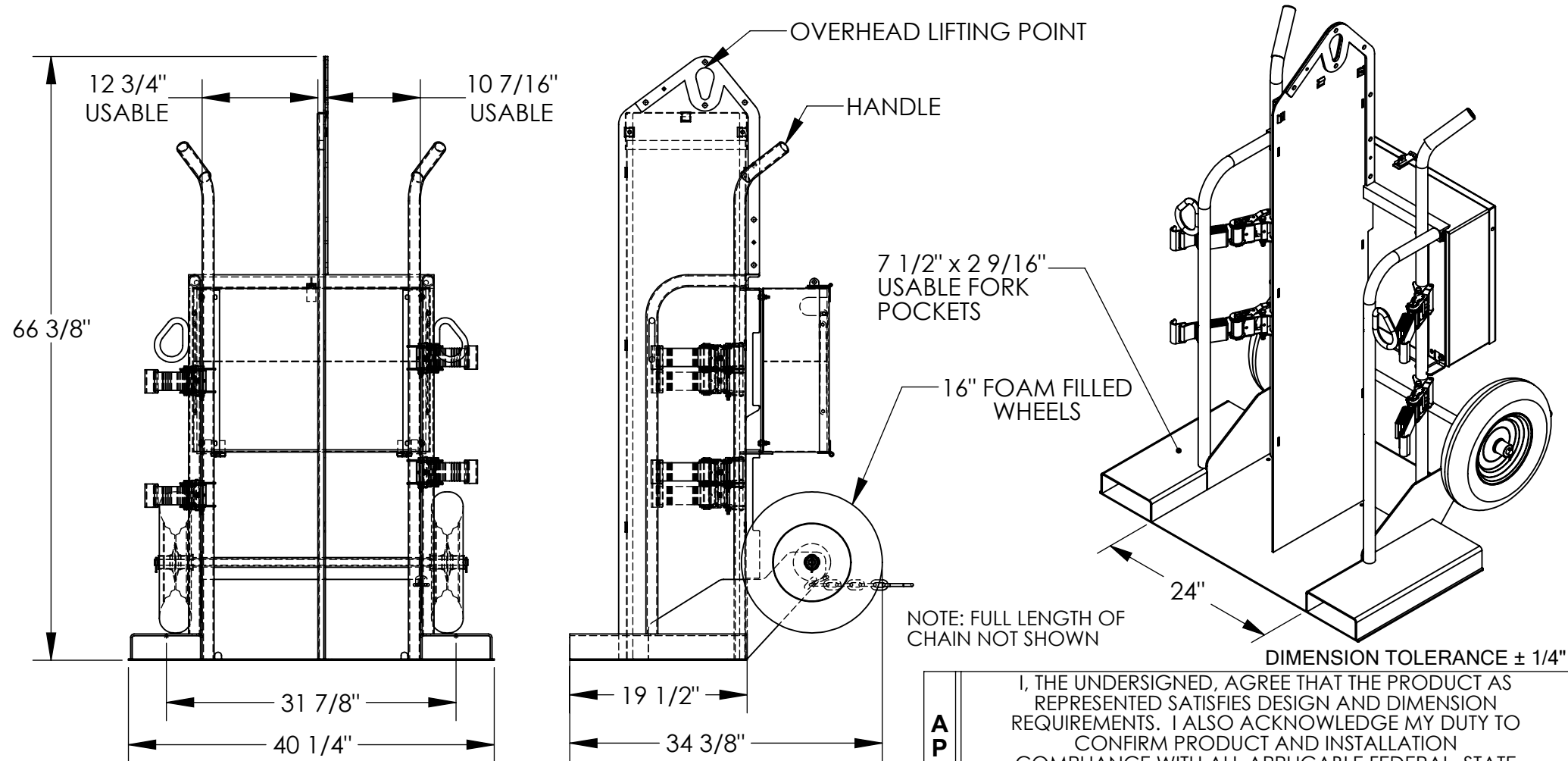


WELDING CYLINDER TORCH CART W/ FIREPROOF INSERT - CYL-2-FP-FF

APPROX WEIGHT: 301 lbs.
 DOES NOT INCLUDE WEIGHT OF POWER OR PACKAGING!!!

*** ANY ADDITIONS, DELETIONS, OR OMISSIONS MUST BE CORRECTED ON THIS DRAWING AS THIS DRAWING WILL BE CONSIDERED ALL INCLUSIVE ***
 ALL GRAPHICS PROVIDED ARE FOR REFERENCE ONLY. IF CERTAIN DIMENSIONS ARE CRITICAL PLEASE VERIFY THOSE DIMENSIONS WITH YOUR SALESPERSON



STANDARD FEATURES

- MODEL NUMBER IS CYL-2-FP-FF
- CAPACITY IS 500 LBS.
- OVERALL WIDTH IS 40 1/4"
- LEFT SIDE USABLE WIDTH IS 12 3/4"
- RIGHT SIDE USABLE WIDTH IS 10 7/16"
- OVERALL DEPTH IS 34 3/8"
- OVERALL HEIGHT IS 66 3/8"
- 7 1/2"W x 2 9/16"H USABLE FORK POCKETS
- STRAPS TO SECURE TANKS
- SAFETY CHAIN TO SECURE UNIT TO FORK TRUCK
- DIVIDER WITH FIREPROOF MARINITE INSERT
- Ø16" FOAM FILLED WHEELS
- TOUGH BAKED IN POWDERCOATED YELLOW FINISH

SPECIAL FEATURES

NONE

A P P R O V A L

I, THE UNDERSIGNED, AGREE THAT THE PRODUCT AS REPRESENTED SATISFIES DESIGN AND DIMENSION REQUIREMENTS. I ALSO ACKNOWLEDGE MY DUTY TO CONFIRM PRODUCT AND INSTALLATION COMPLIANCE WITH ALL APPLICABLE FEDERAL, STATE AND LOCAL REGULATIONS AND STANDARDS.

ANY MODIFIED UNITS ARE NON-RETURNABLE

[] As drawn [] As marked

Signed: _____ Date: _____

Printed Name: _____

LEAD TIME WILL START UPON RECEIPT OF SIGNED APPROVAL DRAWING

FOR INTERNAL USE ONLY PROJECT SIGN OFF	
SALES	
ENG.	
FAB.	
POWER	

DISTRIBUTOR'S NAME: HOF EQUIPMENT COMPANY		P.O.# X
PH: 888-990-1150		W.O.# X
DRAWN BY: TJM	DATE: 03/08/10	SALES: X
REFERENCE: X	SCALE: 1:16	FILE NAME: 16-007-245
QUOTED LEAD TIME: X	QUOTE # X	