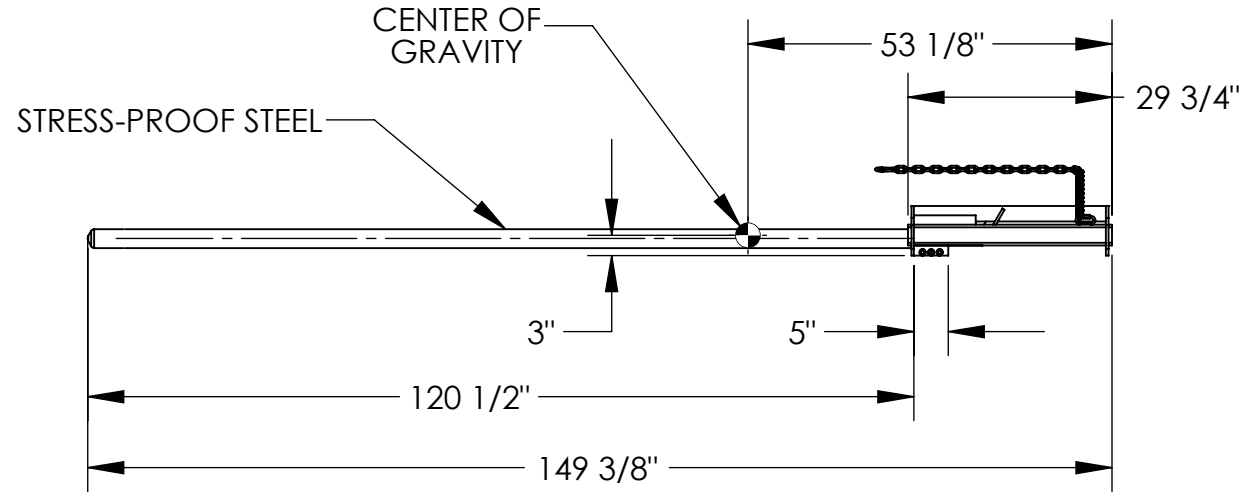
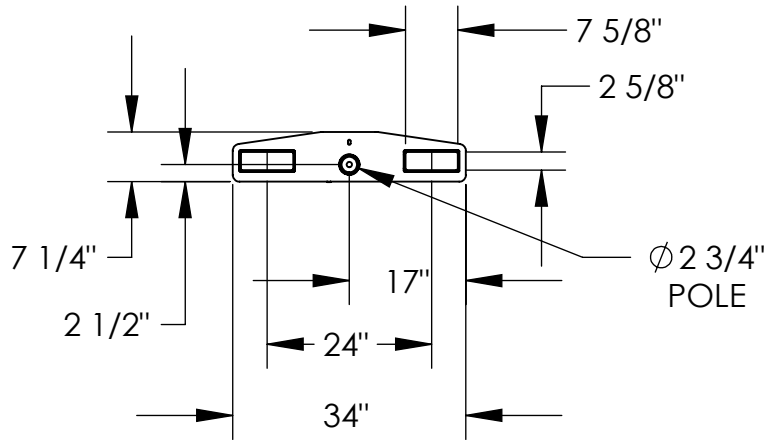


FORK MOUNTED RUG-RAM - CRF-120

APPROX WEIGHT: 396.54 lbs.
DOES NOT INCLUDE WEIGHT OF POWER OR PACKAGING!!!

*** ANY ADDITIONS, DELETIONS, OR OMISSIONS MUST BE CORRECTED ON THIS DRAWING AS THIS DRAWING WILL BE CONSIDERED ALL INCLUSIVE ***

ALL GRAPHICS PROVIDED ARE FOR REFERENCE ONLY. IF CERTAIN DIMENSIONS ARE CRITICAL PLEASE VERIFY THOSE DIMENSIONS WITH YOUR SALESPERSON



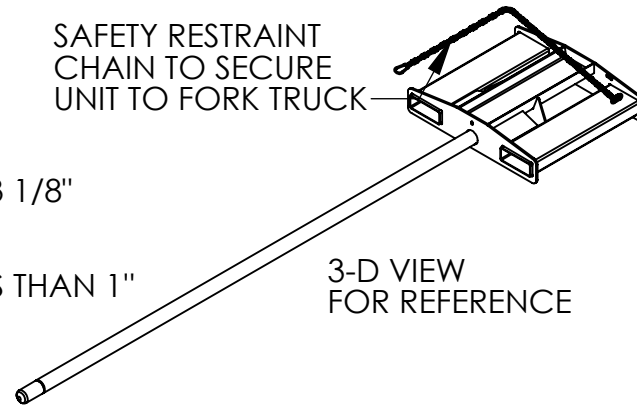
SAFETY RESTRAINT
CHAIN TO SECURE
UNIT TO FORK TRUCK

3-D VIEW
FOR REFERENCE

POLE DIMENSION TOLERANCE $\pm 1/2$ "

NOTE: NEVER EXCEED LOAD CENTER RATING PER
FORK TRUCK MANUFACTURER'S GUIDELINES.
DO NOT USE THIS FORK TRUCK ATTACHMENT
IF LOAD WILL EXCEED FORK TRUCK
MANUFACTURER'S LOAD CENTER RATING.

HORIZONTAL CENTER OF GRAVITY: 53 1/8"
VERTICAL CENTER OF GRAVITY: 3"
LOST LOAD: 396 LBS. (APPROX.)
MINIMUM EFFECTIVE THICKNESS= LESS THAN 1"



STANDARD FEATURES

MODEL NUMBER: CRF-120
CAPACITY: 2,200 LBS. UNIFORM CAPACITY
POLE LENGTH: 120 1/2"
OVERALL LENGTH: 149 3/8"
POLE DIAMETER: 2 3/4"
FORK POCKETS ARE 7 5/8" W x 2 5/8" H
USABLE ON 24" FORK CENTERS
WITH SAFETY CHAIN TO SECURE TO THE
UNIT TO THE MAST OF THE FORK TRUCK
DURABLE LIQUID PAINT
BLUE FINISH ON FRAME

SPECIAL FEATURES

NONE

APPROVAL

I, THE UNDERSIGNED, AGREE THAT THE PRODUCT AS
REPRESENTED SATISFIES DESIGN AND DIMENSION
REQUIREMENTS. I ALSO ACKNOWLEDGE MY DUTY TO
CONFIRM PRODUCT AND INSTALLATION
COMPLIANCE WITH ALL APPLICABLE FEDERAL, STATE
AND LOCAL REGULATIONS AND STANDARDS.
**UNITS REQUIRING APPROVAL DRAWINGS OR
MODIFIED ARE NON-RETURNABLE**

[] As drawn [] As marked

Signed: _____ Date: _____

Printed Name: _____

LEAD TIME WILL START UPON RECEIPT OF SIGNED APPROVAL DRAWING

DISTRIBUTOR'S NAME:		P.O.#
HOF EQUIPMENT COMPANY		X
PH: 888-990-1150		W.O.#
DRAWN BY: BJW		X
DATE: 1/12/2008	SALES:	X
REFERENCE: X	SCALE: 1:28	FILE NAME:
QUOTED LEAD TIME: X	QUOTE # X	08-007-157