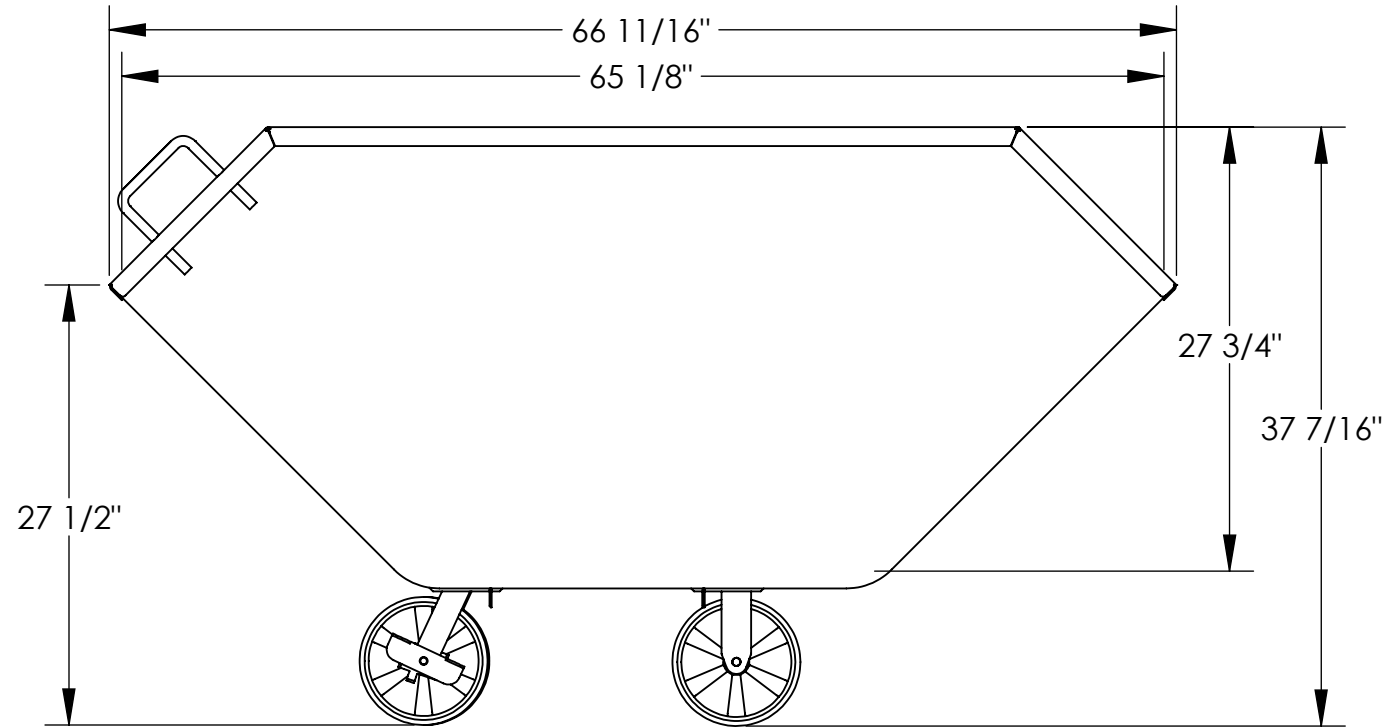
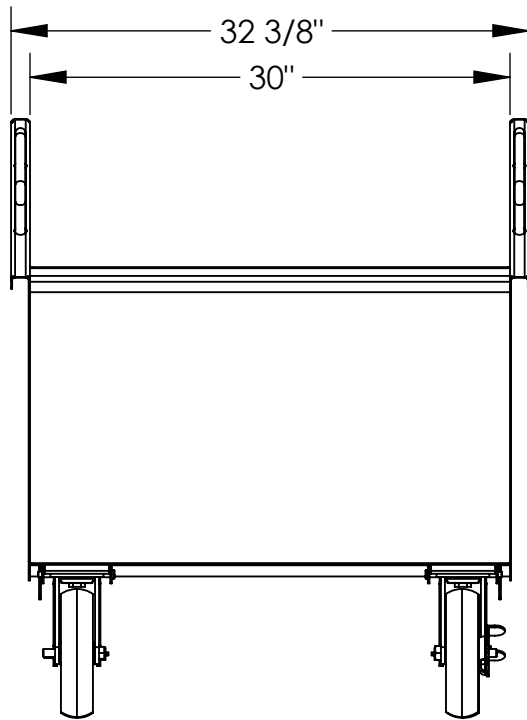


# CHIP & WASTE TRUCKS - CHIP-22.2

APPROX WEIGHT: 195.6 lbs.  
DOES NOT INCLUDE WEIGHT OF POWER OR PACKAGING!!!

\*\*\* ANY ADDITIONS, DELETIONS, OR OMISSIONS MUST BE CORRECTED ON THIS DRAWING AS THIS DRAWING WILL BE CONSIDERED ALL INCLUSIVE \*\*\*

ALL GRAPHICS PROVIDED ARE FOR REFERENCE ONLY. IF CERTAIN DIMENSIONS ARE CRITICAL PLEASE VERIFY THOSE DIMENSIONS WITH YOUR SALESPERSON



DIMENSION TOLERANCE  $\pm 1/4"$

## STANDARD FEATURES

- MODEL NUMBER IS CHIP-22.2
- OVERALL WIDTH IS: 32 3/8"
- OVERALL LENGTH: 66 11/16"
- OVERALL HEIGHT: 37 7/16"
- TRUCK BOX WIDTH: 30"
- TRUCK BOX DEPTH: 27 3/4"
- TRUCK VOLUME: 22.2 CU-FT; 13/16 CU-YD
- TRUCK CAPACITY: 2,000 LBS.
- TOUGH BAKED IN POWDER COATED BLUE FINISH

## SPECIAL FEATURES

NONE

<b>APPROVAL</b>	I, THE UNDERSIGNED, AGREE THAT THE PRODUCT AS REPRESENTED SATISFIES DESIGN AND DIMENSION REQUIREMENTS. I ALSO ACKNOWLEDGE MY DUTY TO CONFIRM PRODUCT AND INSTALLATION COMPLIANCE WITH ALL APPLICABLE FEDERAL, STATE AND LOCAL REGULATIONS AND STANDARDS.	
	<b>ANY MODIFIED UNITS ARE NON-RETURNABLE</b>	
	[ ] As drawn      [ ] As marked	
Signed: _____		Date: _____
Printed Name: _____		
<b>LEAD TIME WILL START UPON RECEIPT OF SIGNED APPROVAL DRAWING</b>		

FOR INTERNAL USE ONLY PROJECT SIGN OFF	
SALES	
ENG.	
FAB.	
POWER	

DISTRIBUTOR'S NAME: HOF EQUIPMENT COMPANY		P.O.# X
PH: 888-990-1150		W.O.# X
DRAWN BY: W.STALEY	DATE: 3/7/08	SALES: X
REFERENCE: X	SCALE: 1:12	FILE NAME: 37-007-064
QUOTED LEAD TIME: X	QUOTE # X	